



x2



x2



x1

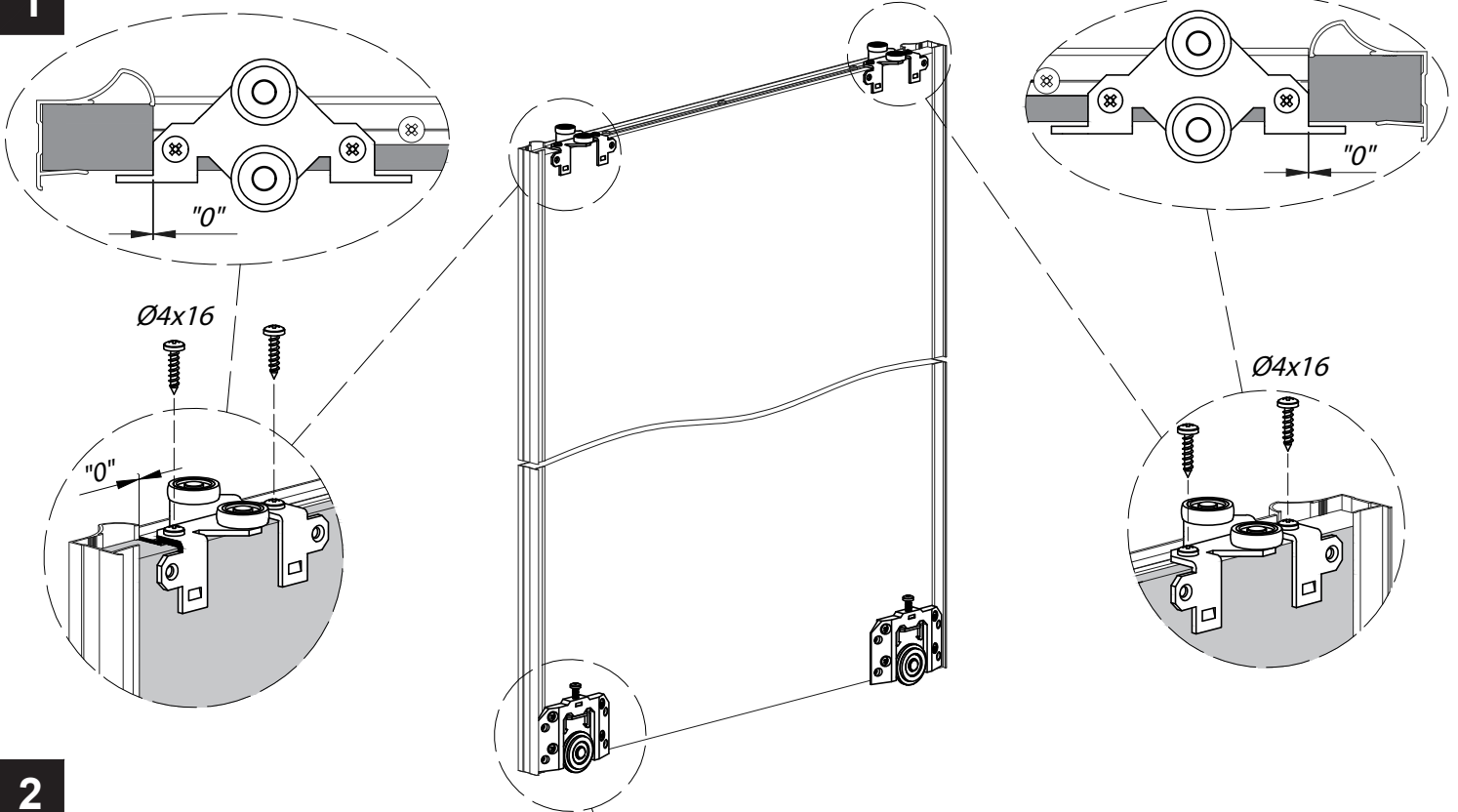


Ø4x16

x12

110lb

1



2

