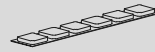


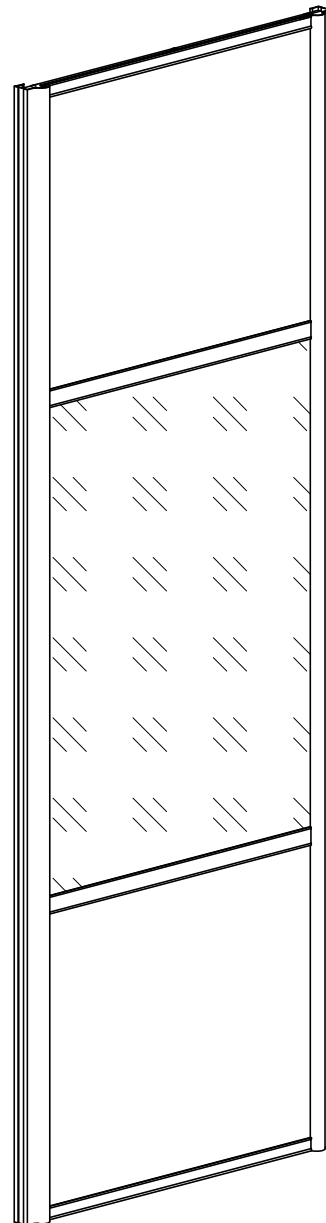
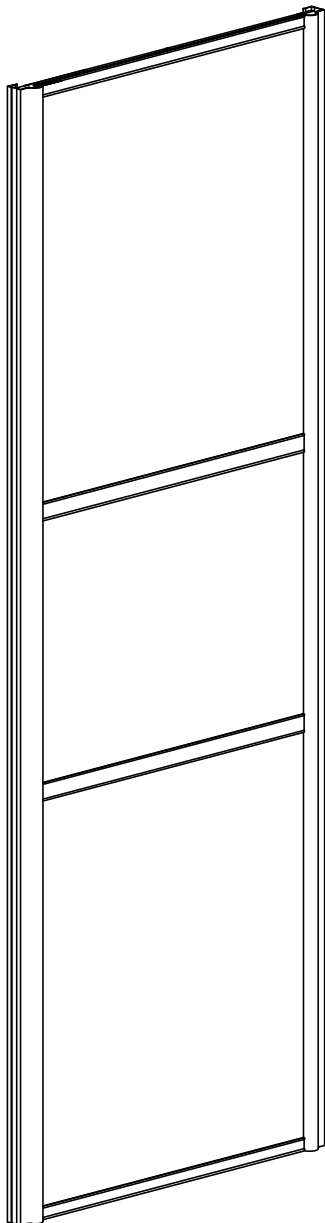
x1

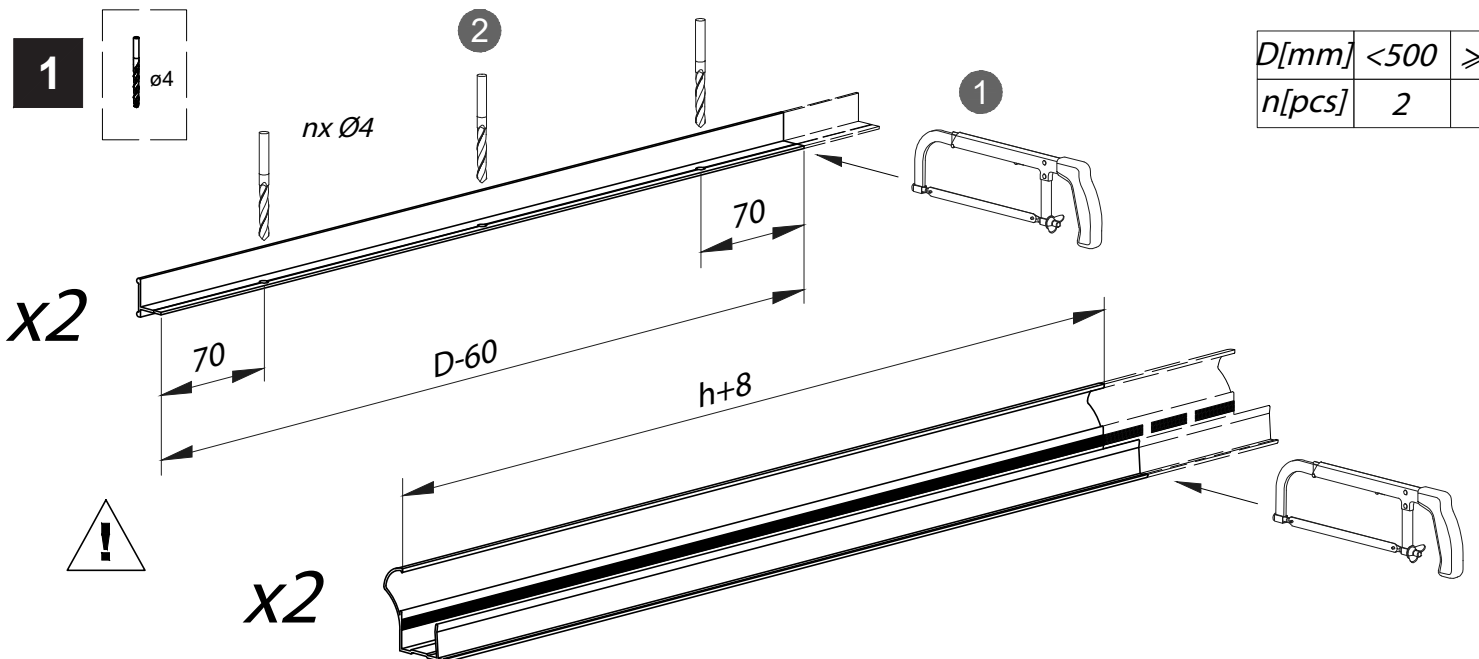
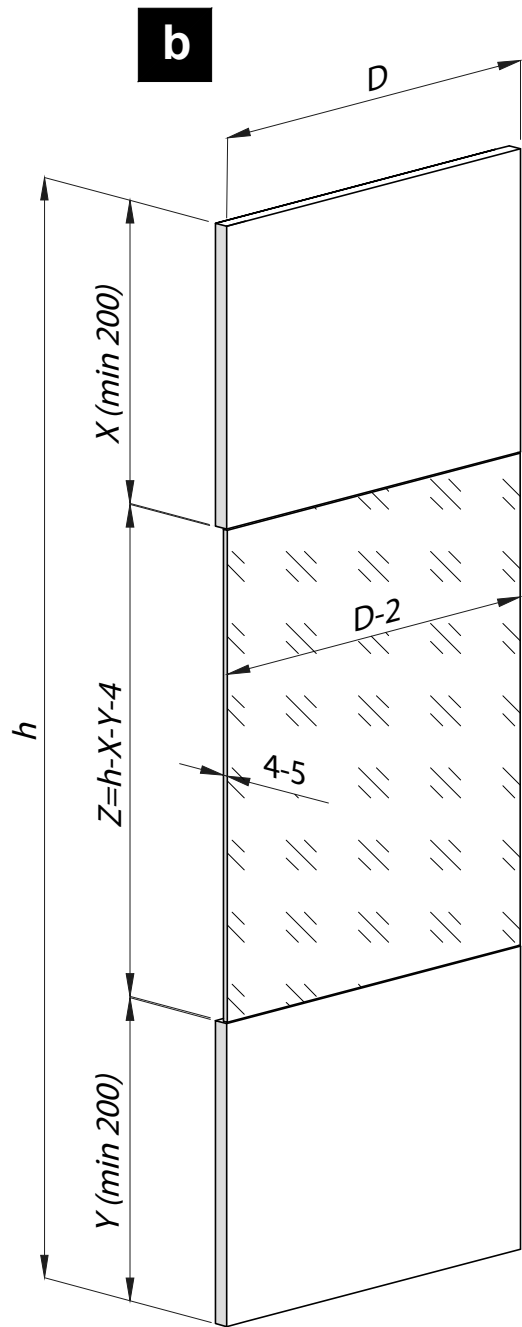
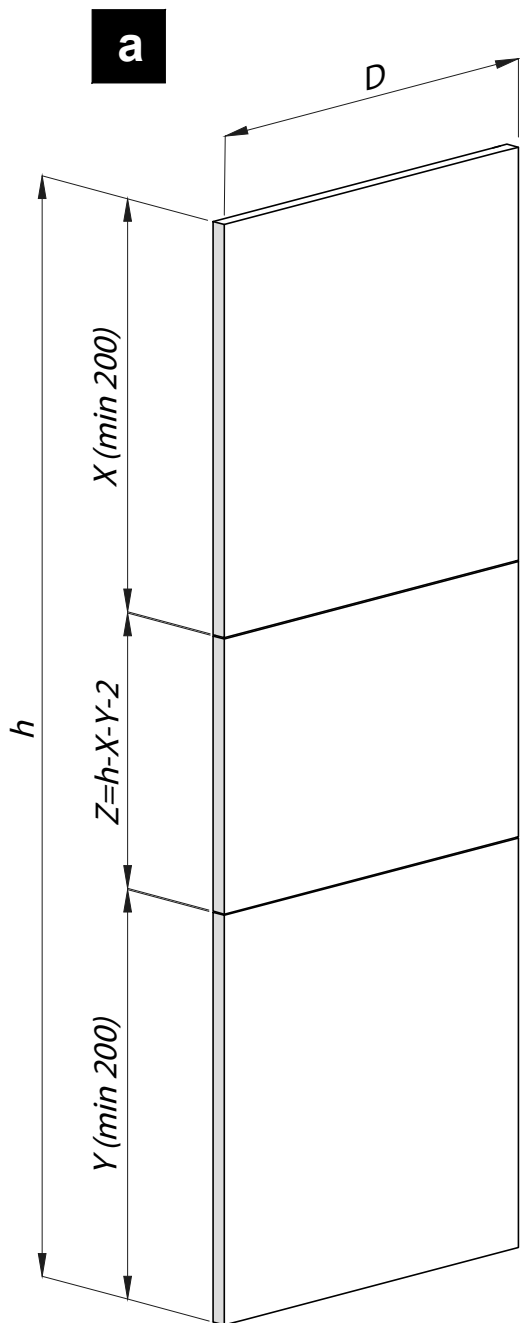


x20

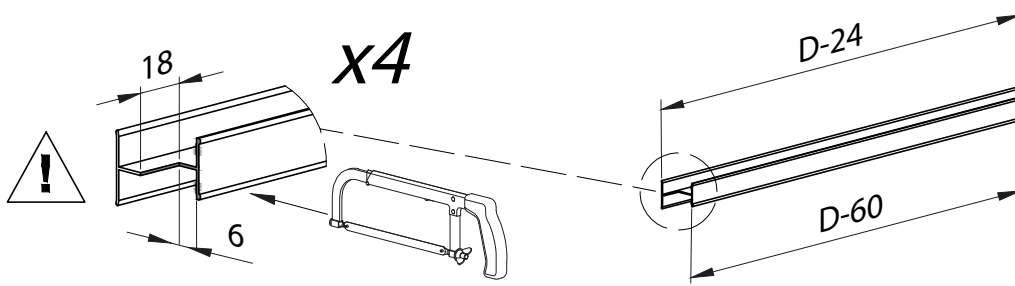


x2

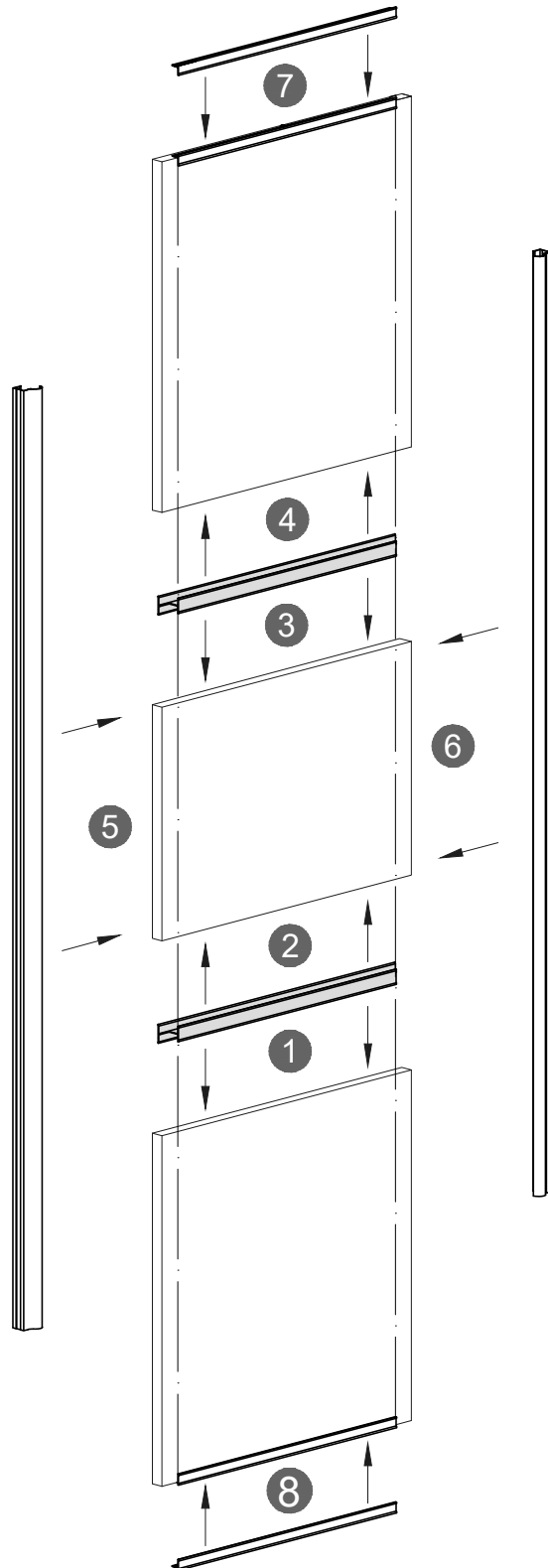
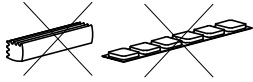




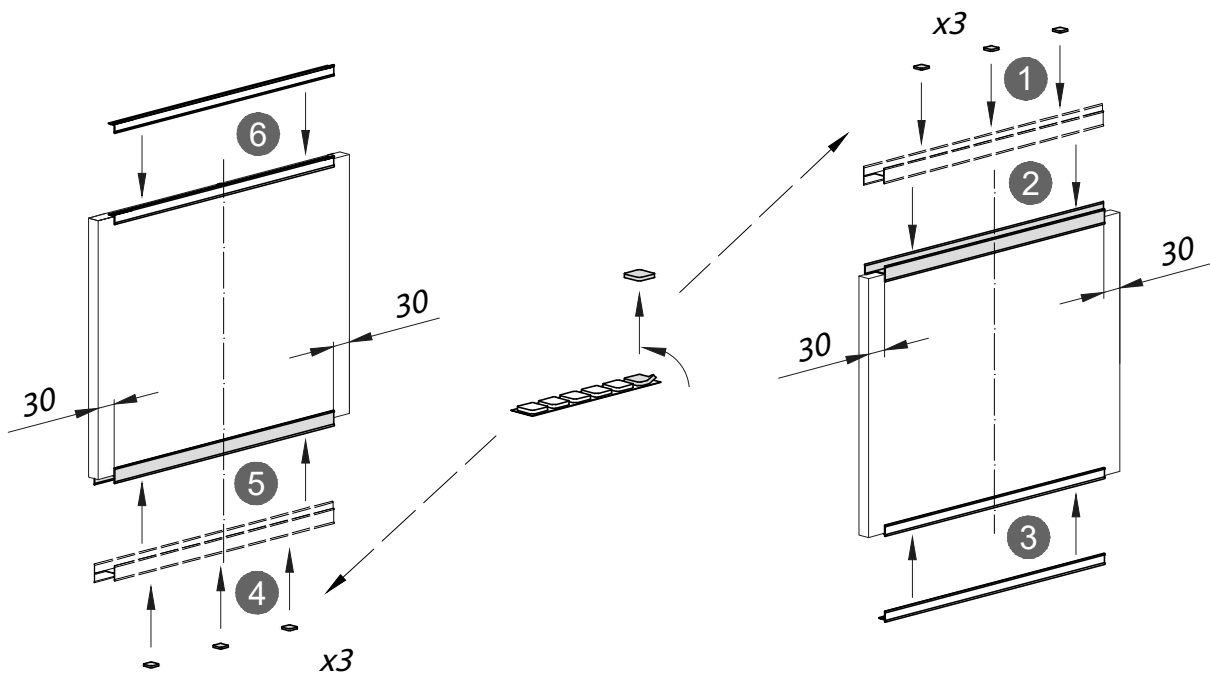
D [mm]	< 500	≥ 500
n [pcs]	2	3



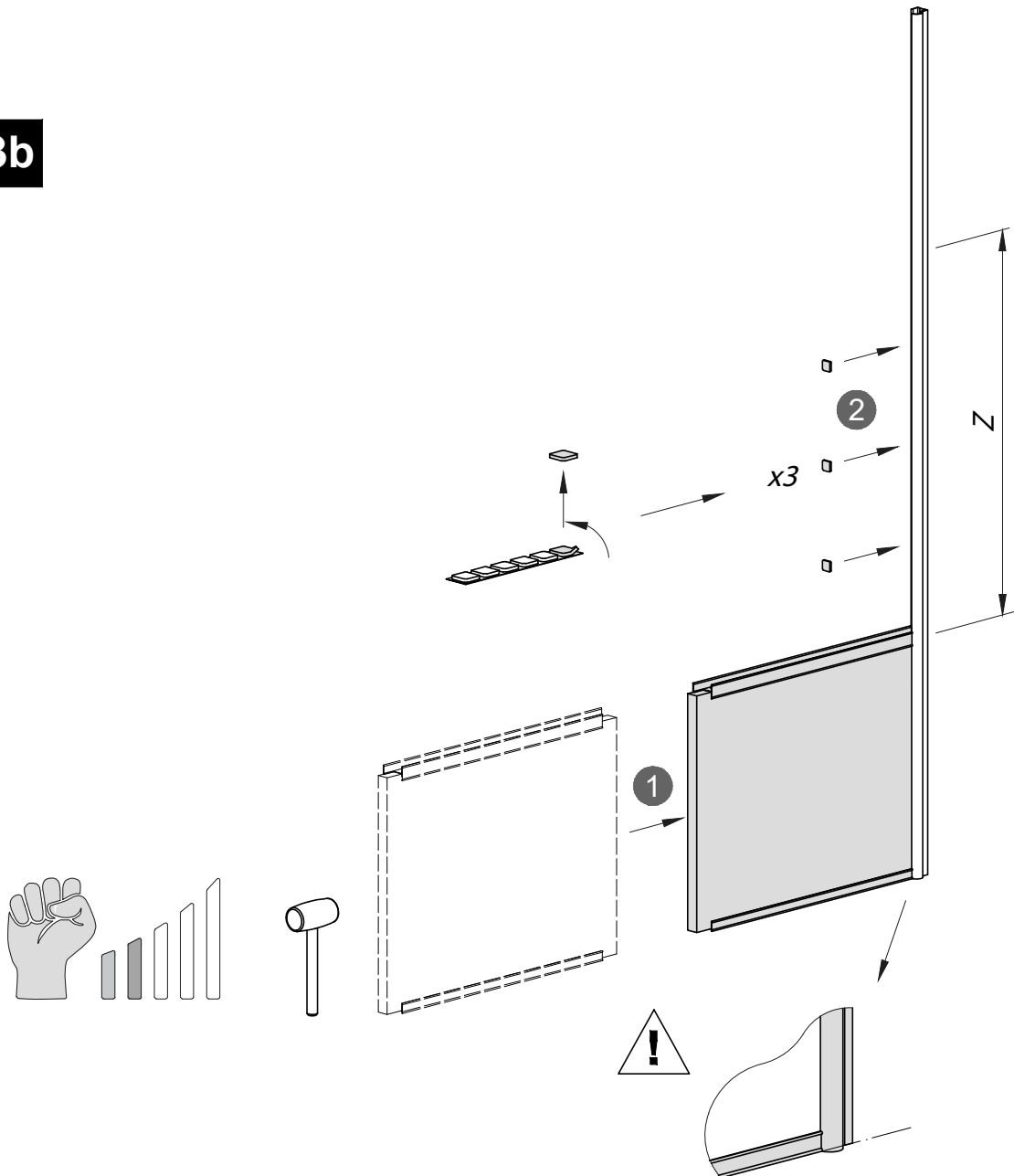
2a



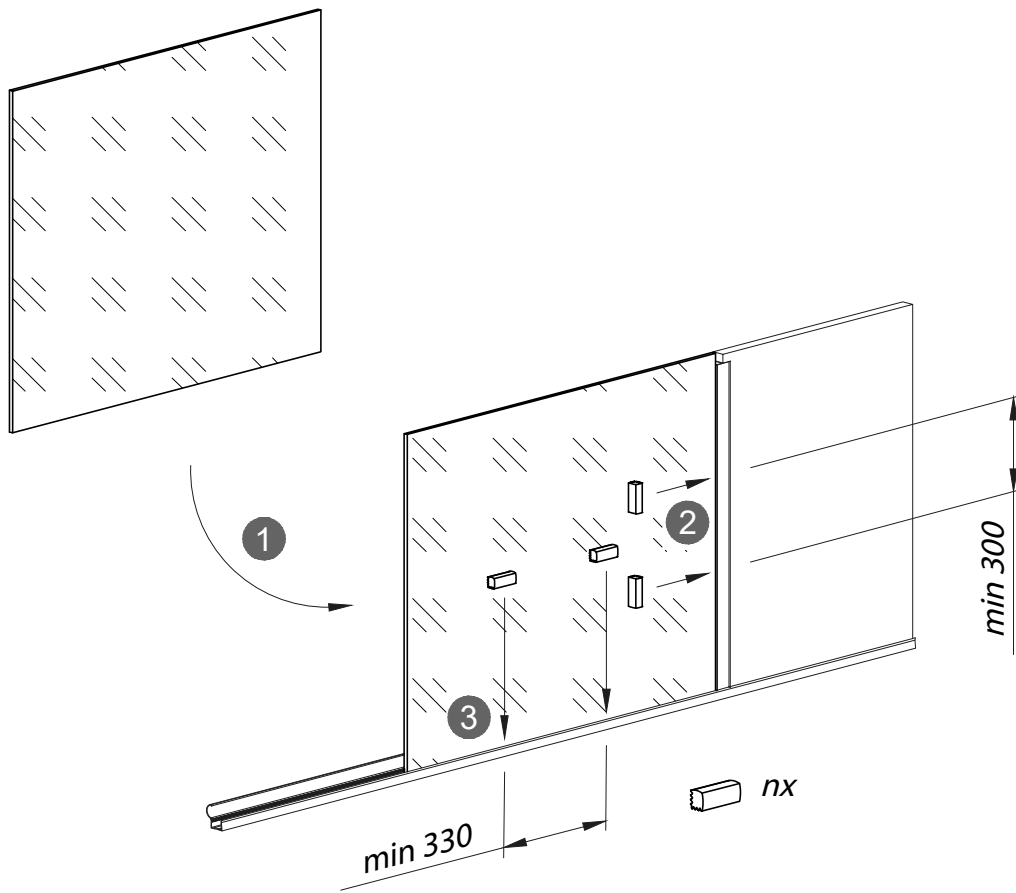
2b



3b

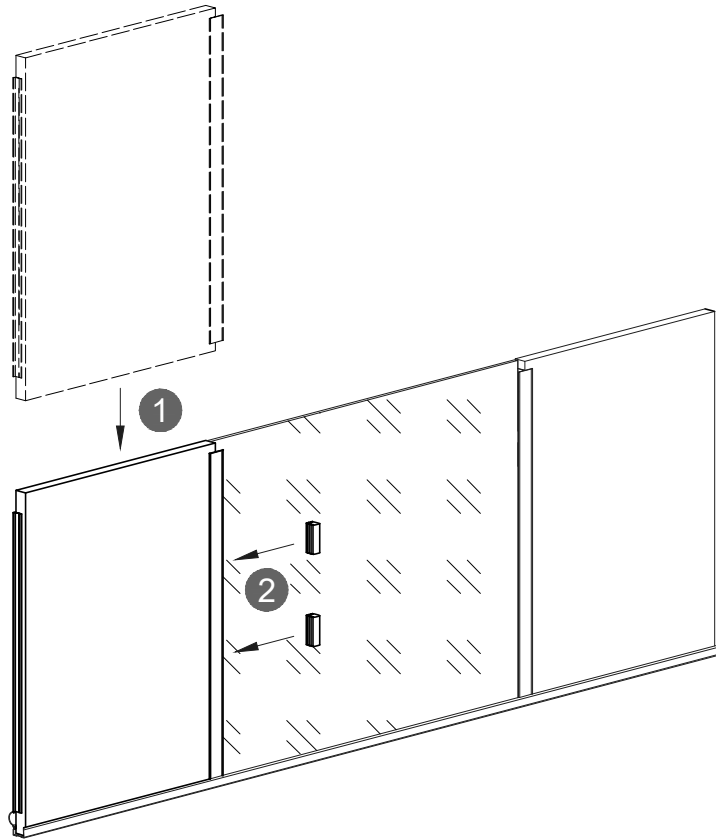
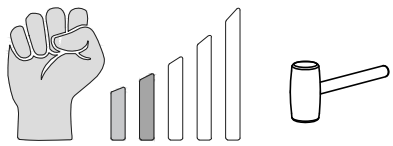


4b



$D, Z [mm]$	<300	<600	<900	<1200	<1500	<2100	<2400
$n [pcs]$	2	3	4	5	6	7	8

5b



6b

