



**SLID'UP**  
BY MANTION

INSTRUCTION DE MONTAGE  
MONTAGEANLEITUNG  
INSTRUCTIONS FOR ASSEMBLY  
INSTRUCCIONES DE MONTAJE  
INSTRUKCJA MONTA U

**SLID'UP 2300**

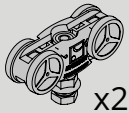
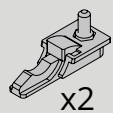

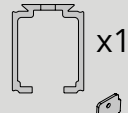
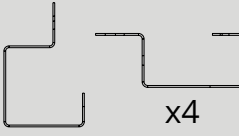
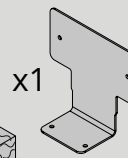
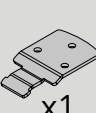
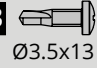
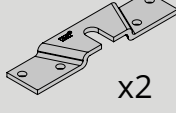
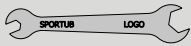
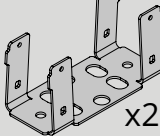
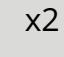


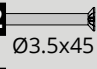
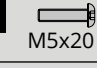

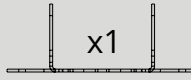
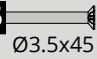
**SU2300-1**

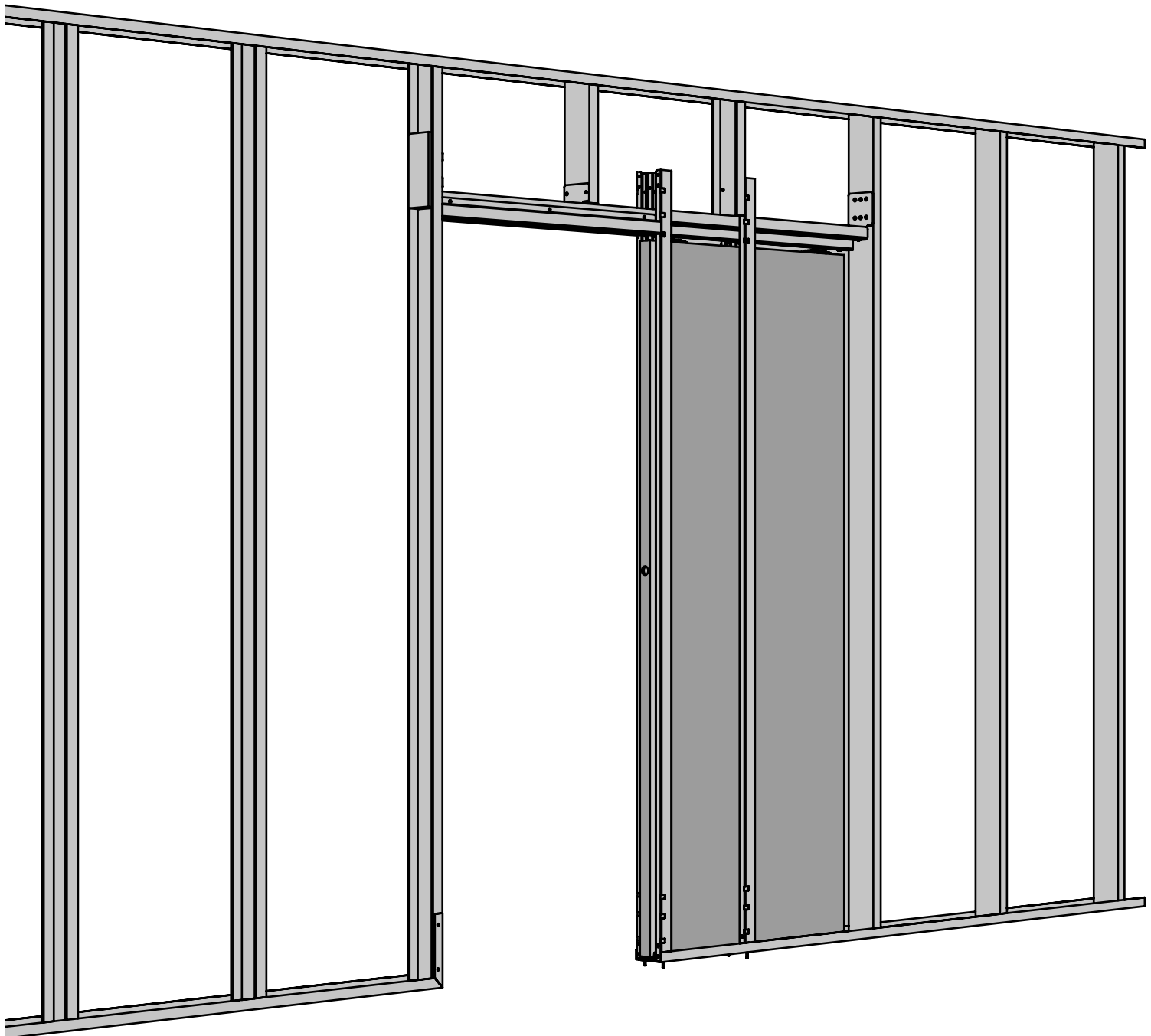
Epaisseur de porte / Door thickness: 40 mm

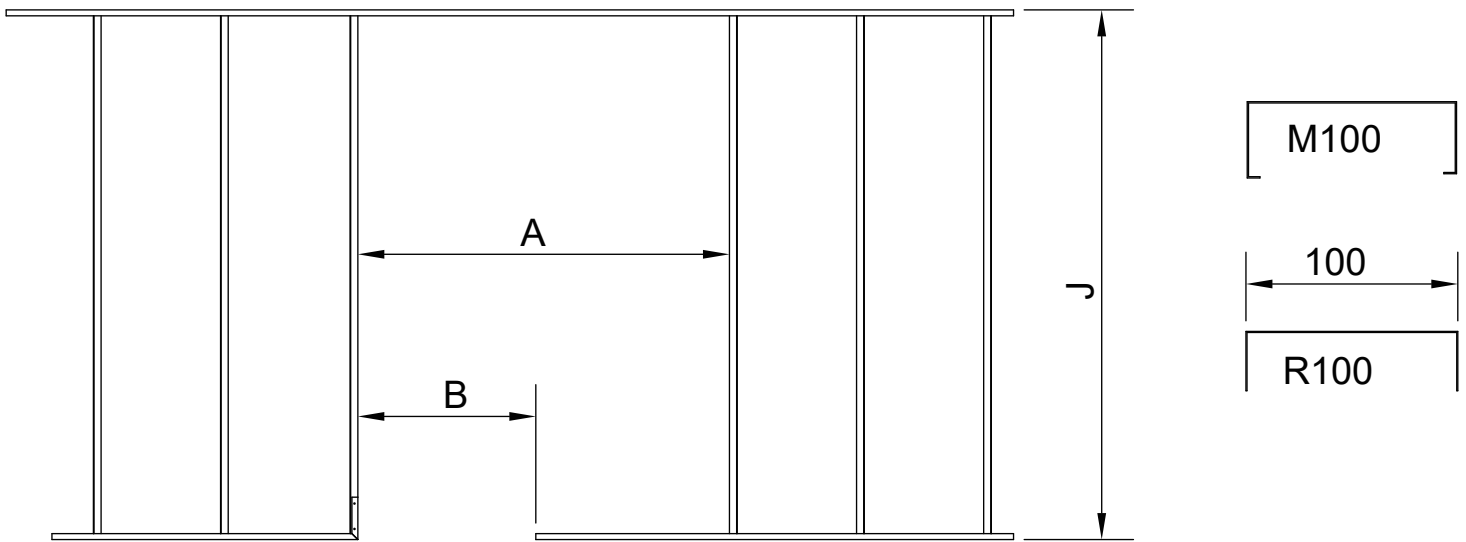
**NE PAS JETER LES PANNEAUX / DO NOT THROW THE PANELS**

**NICHT DIE PANEEL WERFEN**

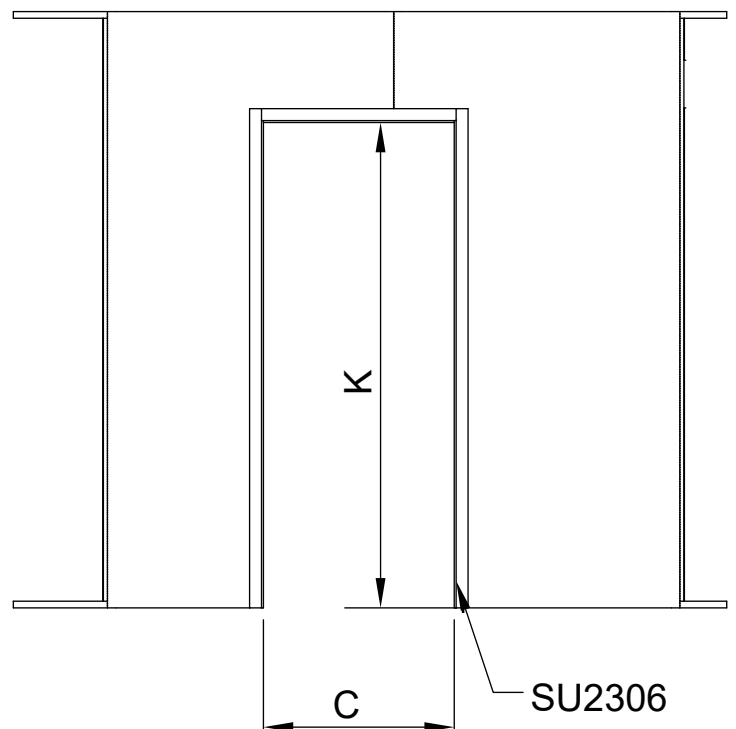
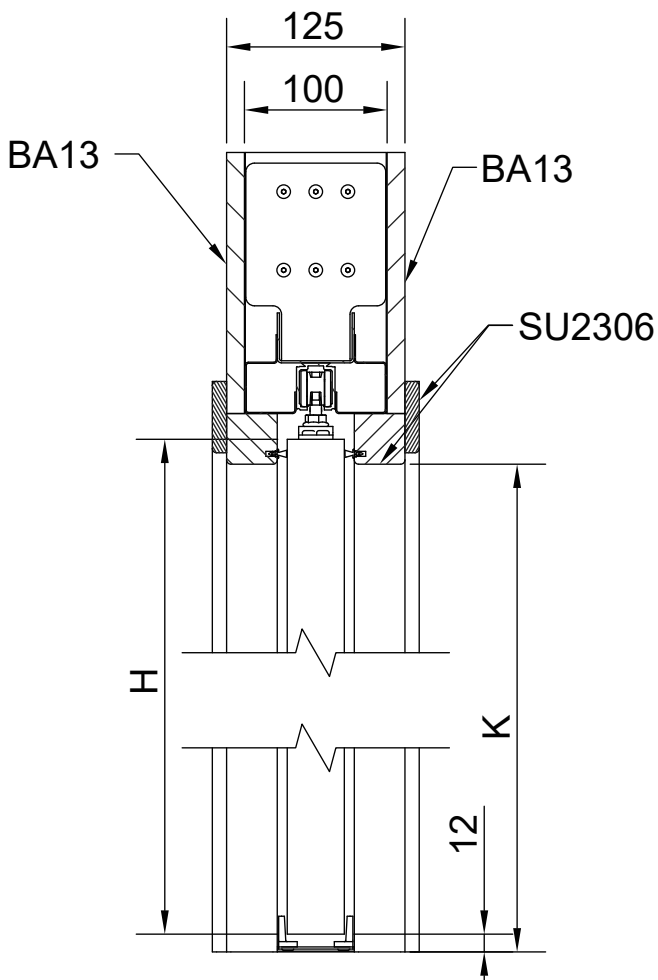
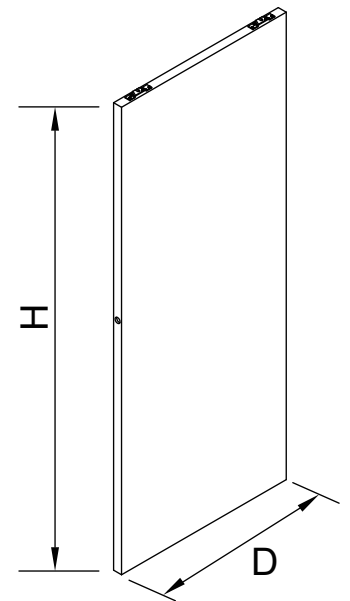


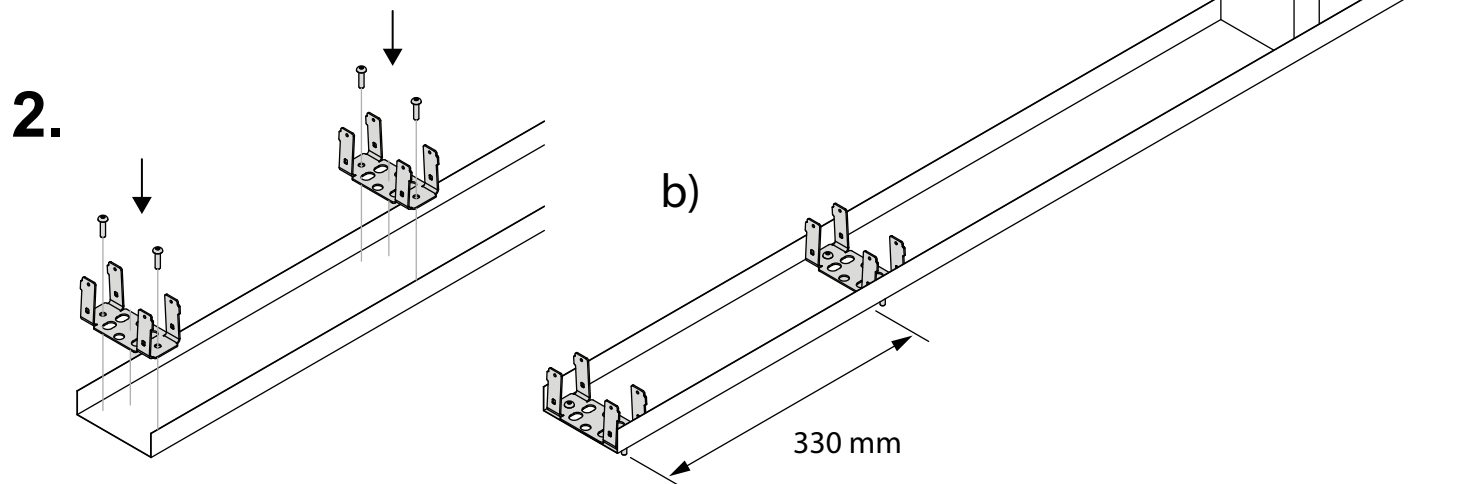
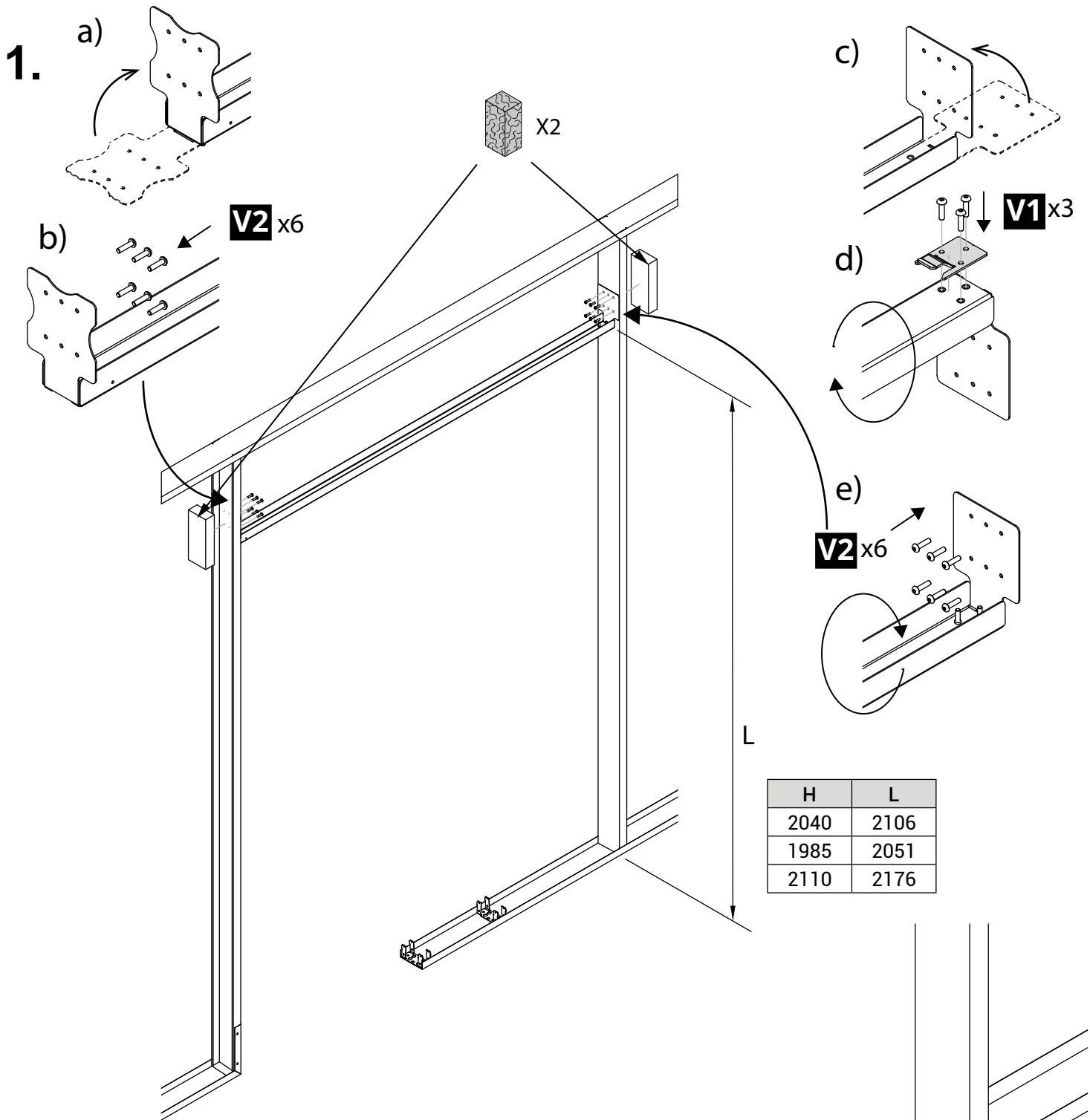
 x2	 x2	 <b>V4</b> x8 Ø4.5x25	 x1	 x2	 x1	 x1	 <b>V3</b> x22 Ø3.5x13
 x2	 <b>SPORTUB LOGO</b> x2	 x2	 x2	 x2	 x1	 <b>V2</b> x12 Ø3.5x45	 <b>V1</b> x6 M5x20
 x1			 x1			 <b>V5</b> x13 Ø3.5x45	



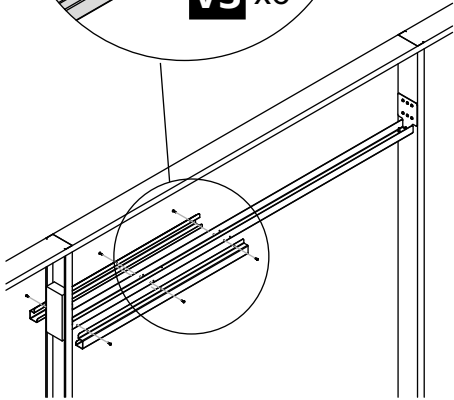
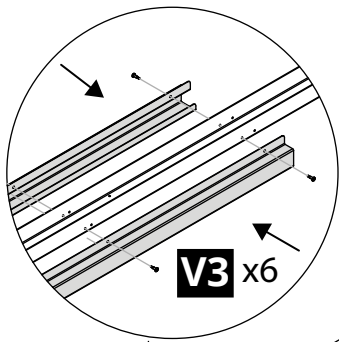


mm	Porte / Door / Tür		Cloison / Partition wall Trennwand			Passage / opening / Öffnung	
	D	H	A	B	J	C	K
SU2301	730	2040	1506	740	2300 min	700	H-5 mm
	735	1985 - 2110	1506	745		705	
SU2302	830	2040	1576	840		800	
SU2304	860	1985 - 2110	1756	870		830	
SU2303	930	2040	2006	940		900	
SU2305	985	1985 - 2110	2006	995		955	

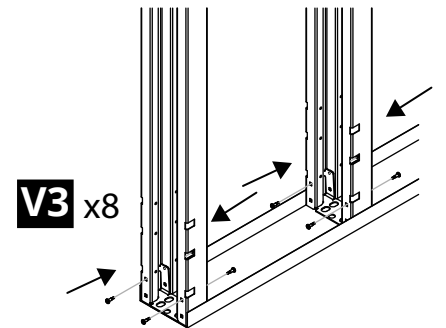
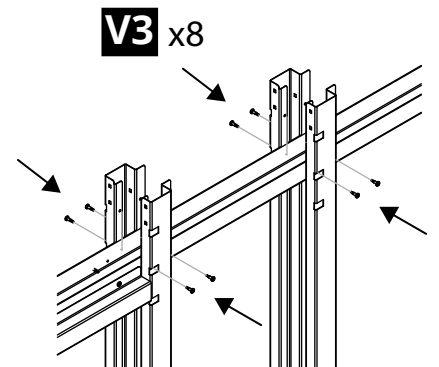
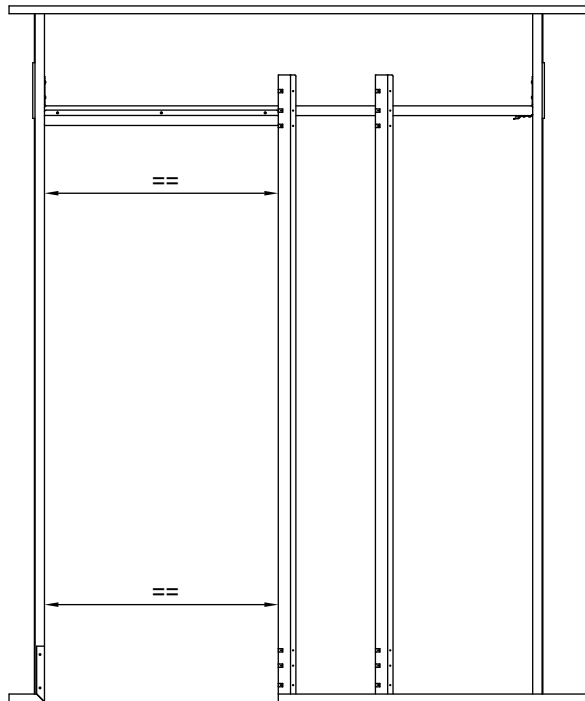
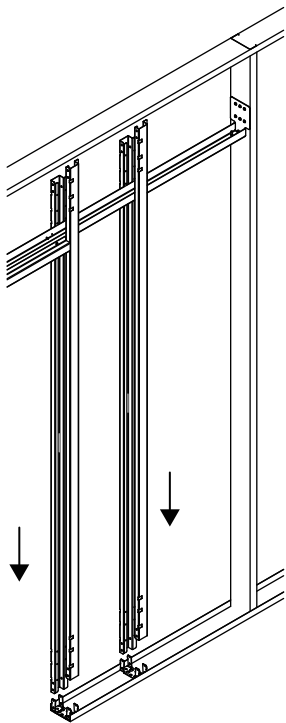
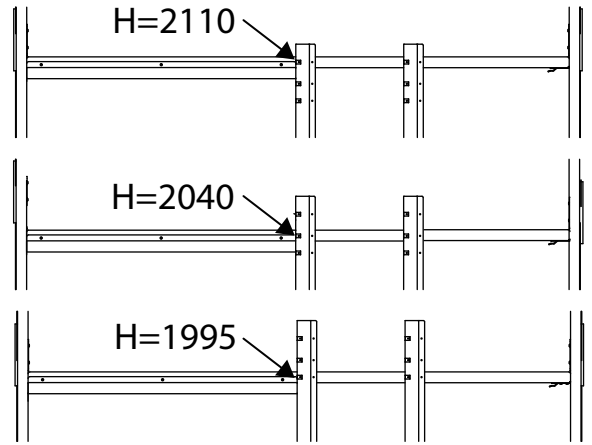




3.

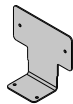


4.

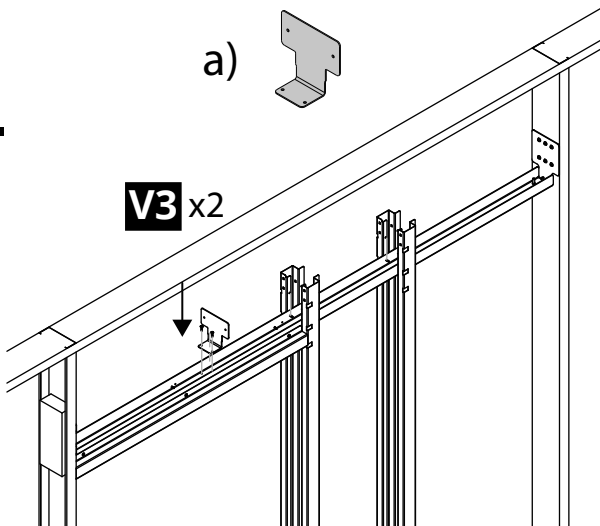


5.

a)



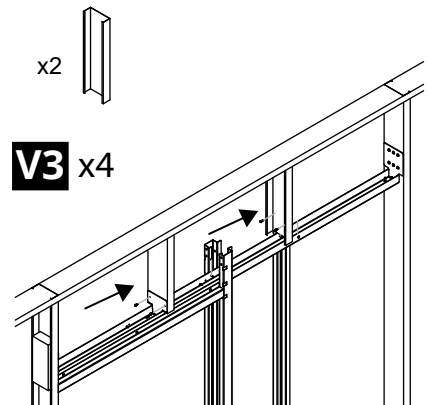
**V3 x2**



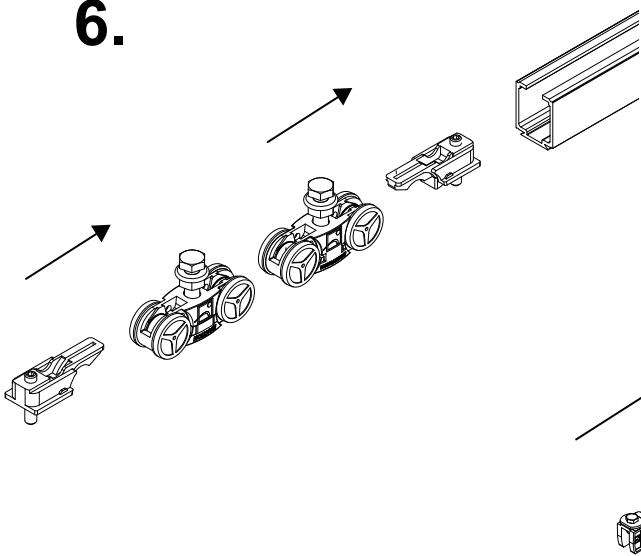
b)

x2

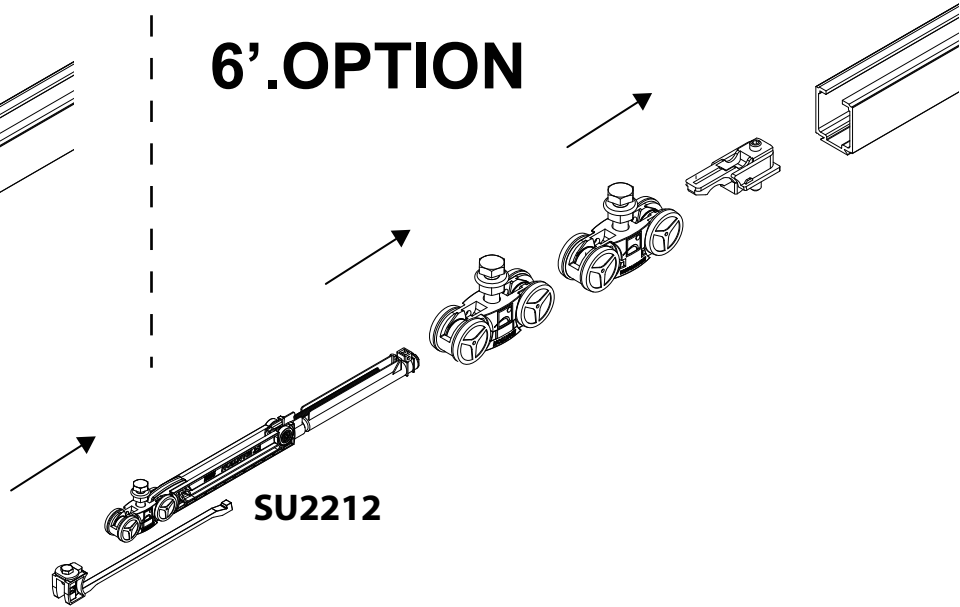
**V3 x4**



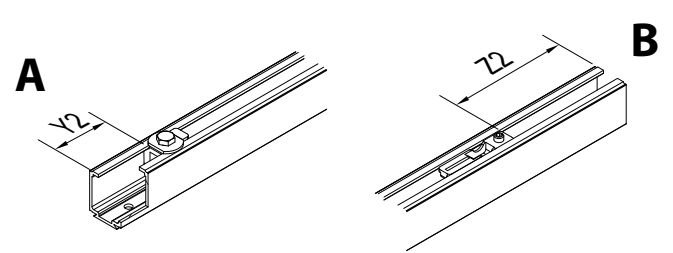
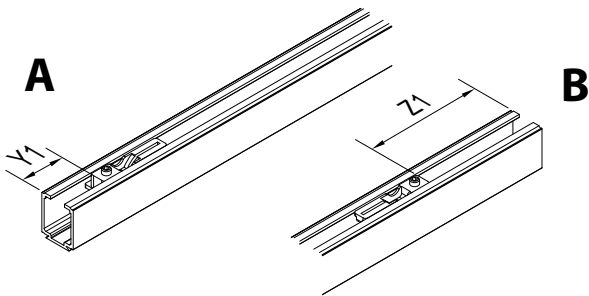
6.



6'.OPTION



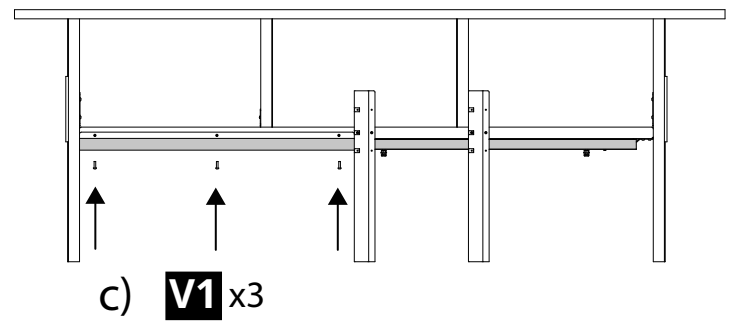
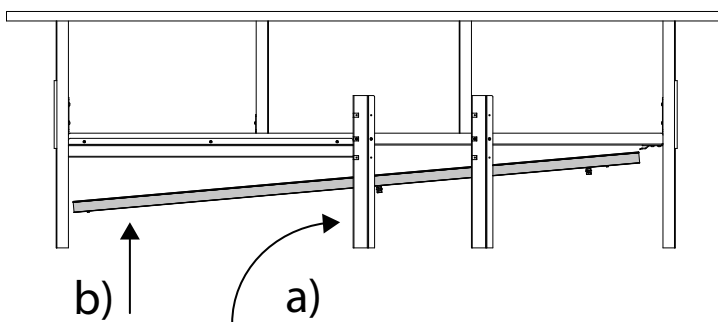
SU2212

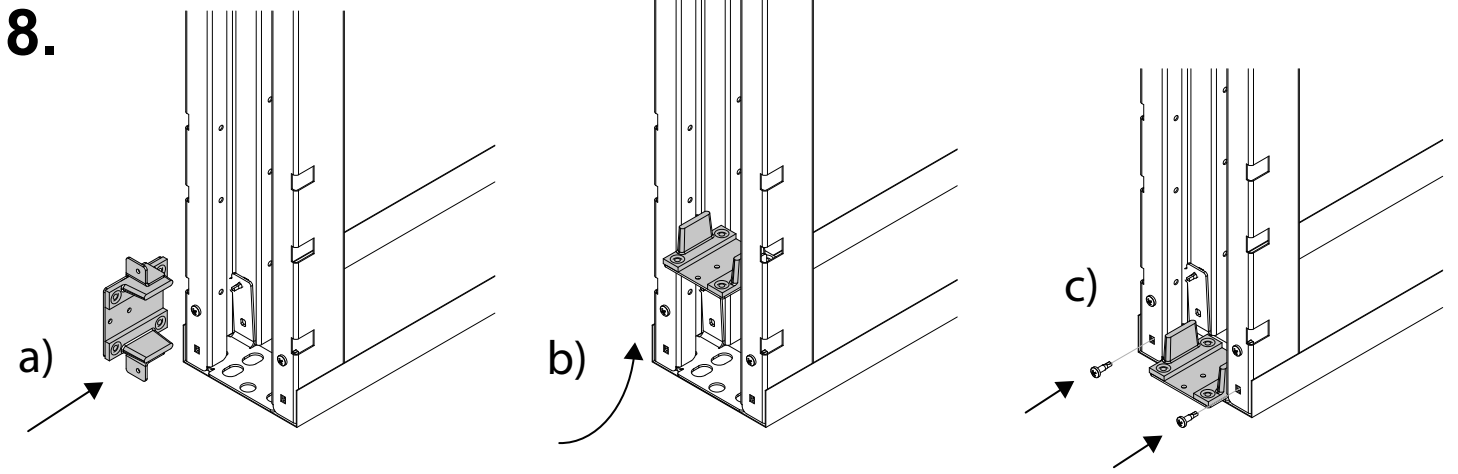


L	Y1	Z1
730	34 mm	38
735		28
830		88
860		28
930		138
985		28

L	Y2	Z2
730	43 mm	38
735		28
830		88
860		28
930		138
985		28

7.





**8'.OPTION**

