



SLID'UP
BY MANTION

INSTRUCTION DE MONTAGE
MONTAGEANLEITUNG
INSTRUCTIONS FOR ASSEMBLY
INSTRUCCIONES DE MONTAJE
INSTRUKCJA MONTA U

SLID'UP 2300

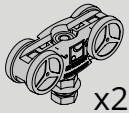
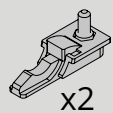

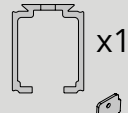
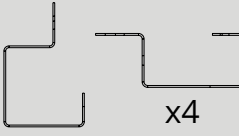
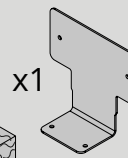
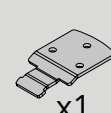
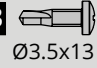
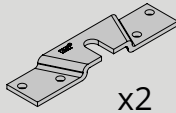

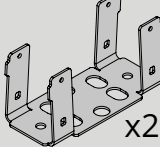
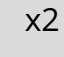
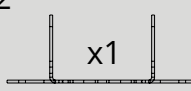
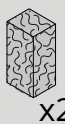
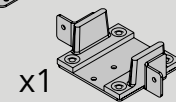
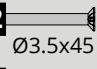

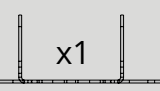
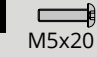
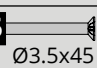
SU2300-1

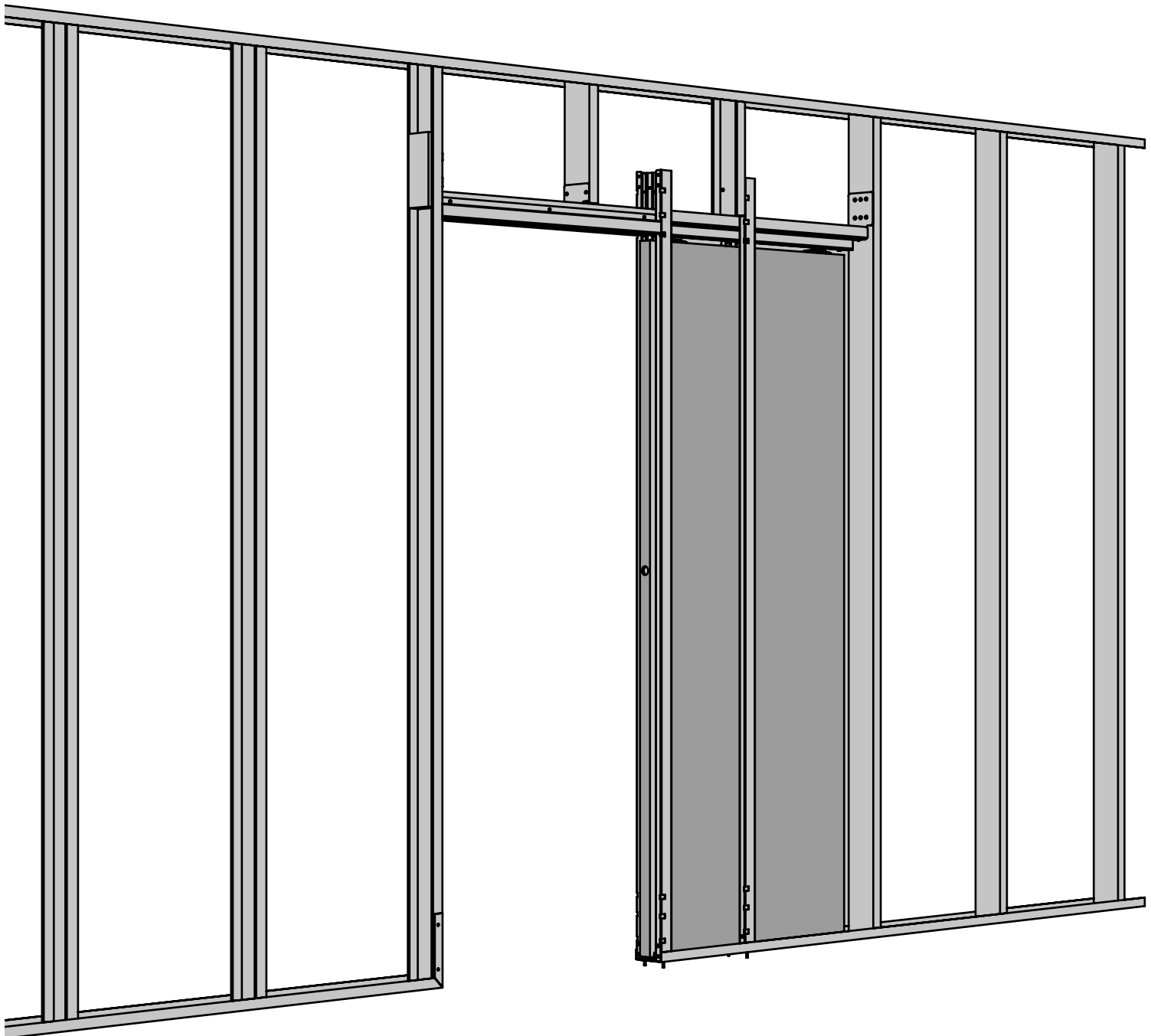
Epaisseur de porte / Door thickness: 40 mm

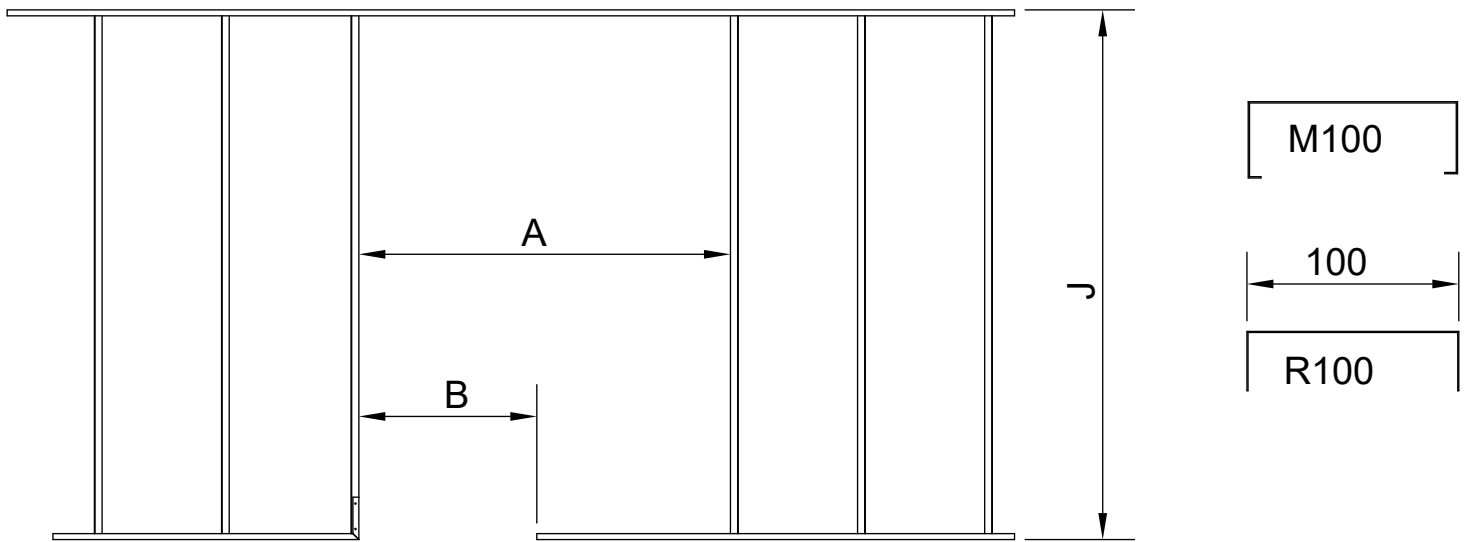
NE PAS JETER LES PANNEAUX / DO NOT THROW THE PANELS

NICHT DIE PANEEL WERFEN

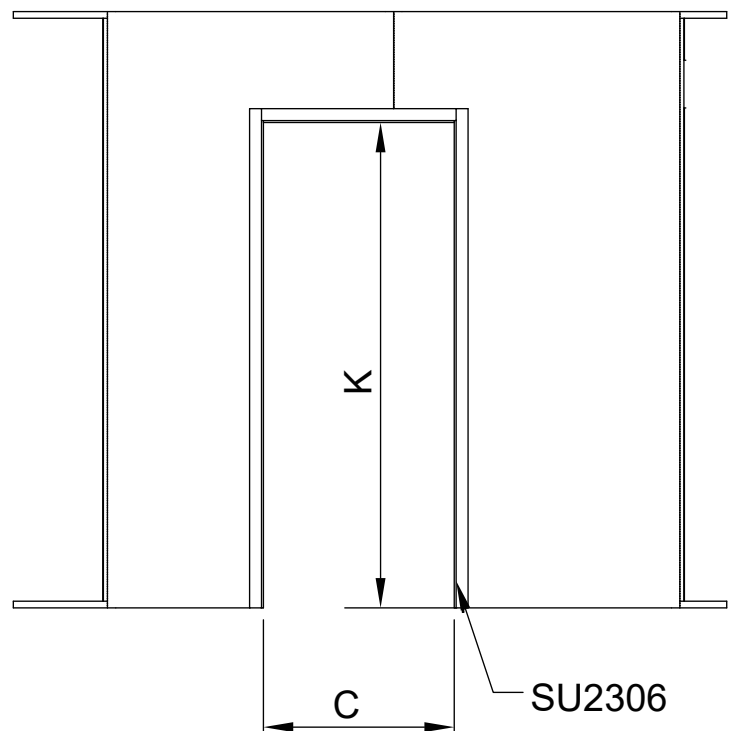
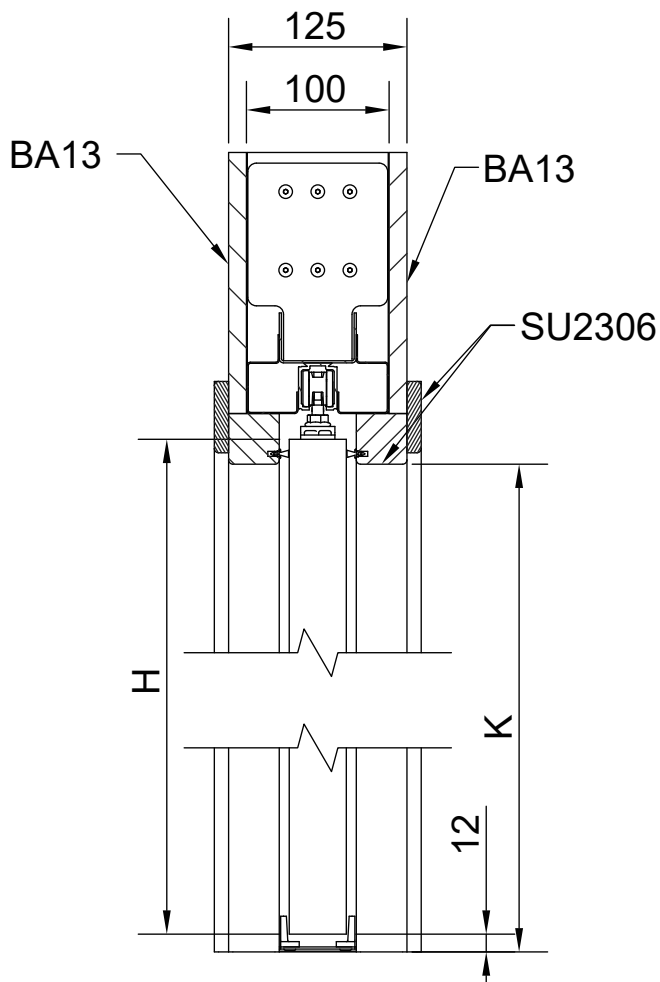
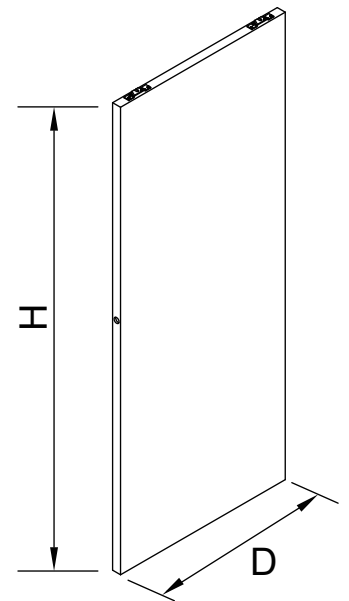


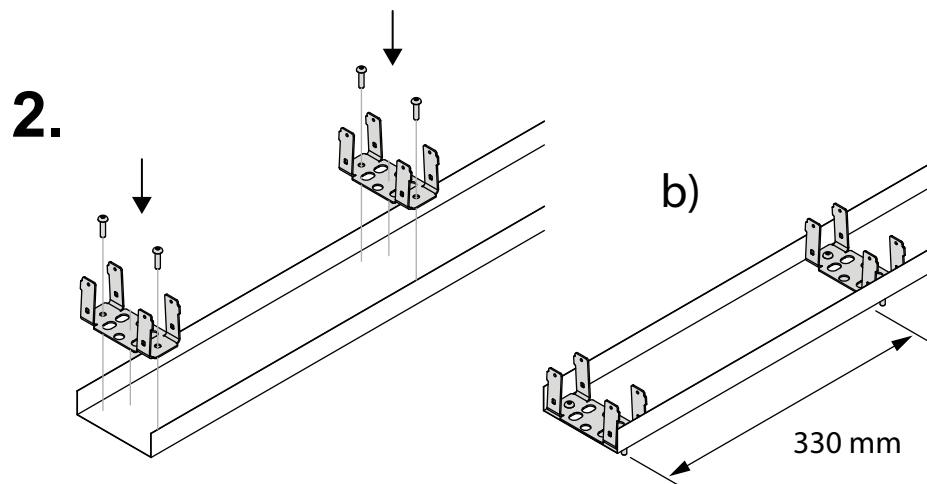
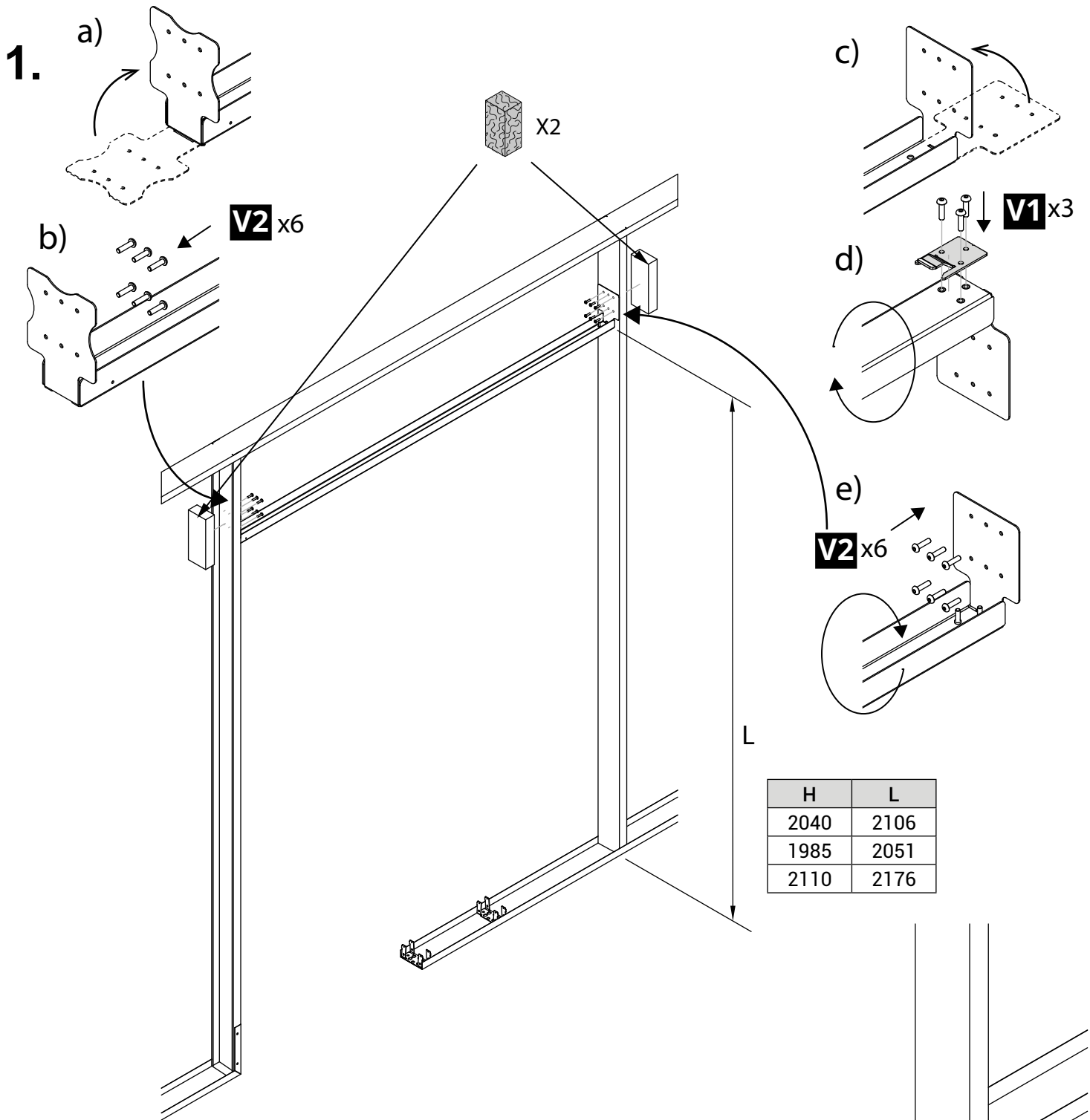
 x2	 x2	 V4 x8 Ø4.5x25	 x1	 x2	 x1	 x1	 V3 x22 Ø3.5x13
 x2	 SPORTUB LOGO x2	 x2	 x2	 x1	 x2	 x1	 V2 x12 Ø3.5x45
 x1				 x1			 V1 x6 M5x20
							 V5 x13 Ø3.5x45



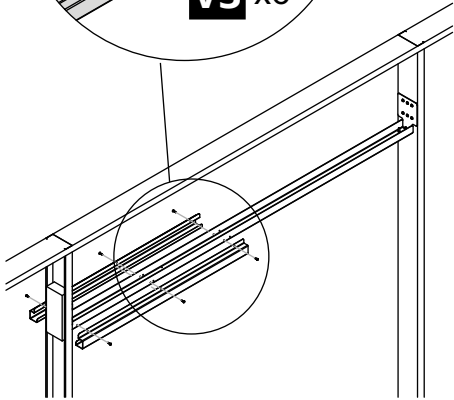
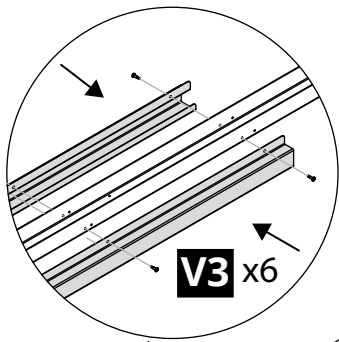


mm	Porte / Door / Tür		Cloison / Partition wall Trennwand			Passage / opening / Öffnung	
	D	H	A	B	J	C	K
SU2301	730	2040	1506	740	2300 min	700	H-5 mm
	735	1985 - 2110	1506	745		705	
SU2302	830	2040	1576	840		800	
SU2304	860	1985 - 2110	1756	870		830	
SU2303	930	2040	2006	940		900	
SU2305	985	1985 - 2110	2006	995		955	

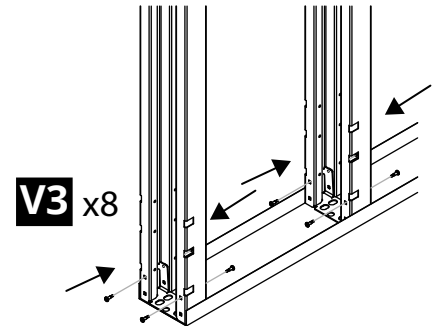
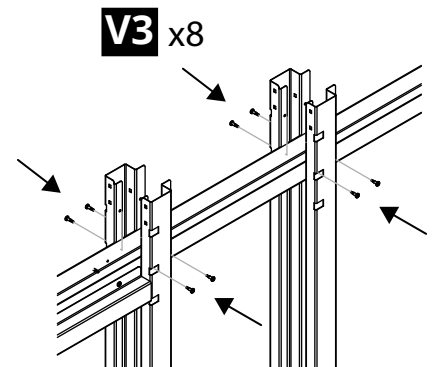
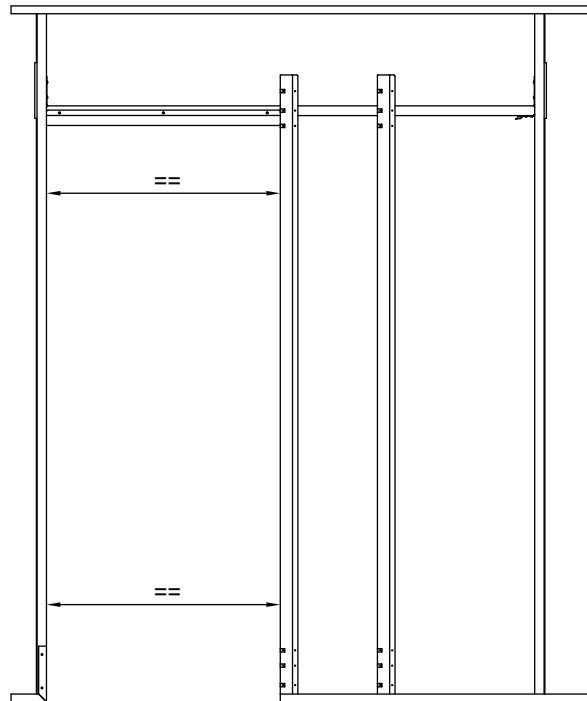
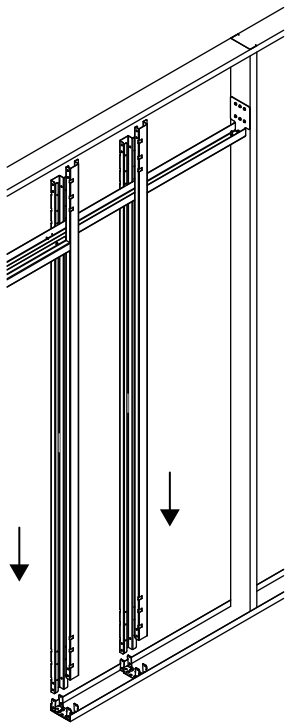
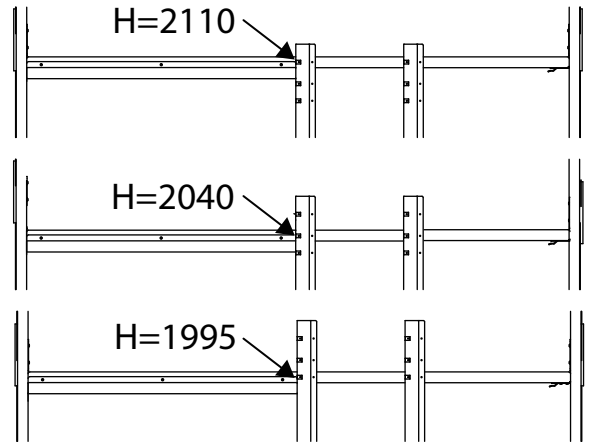




3.

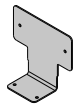


4.

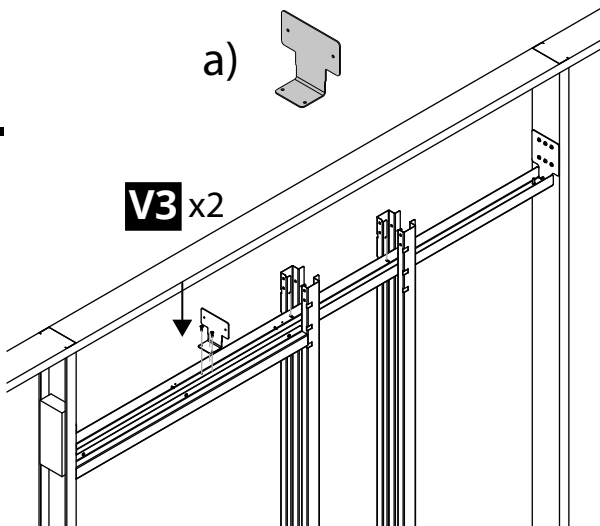


5.

a)



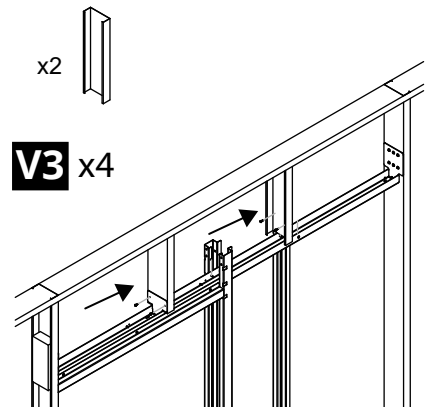
V3 x2



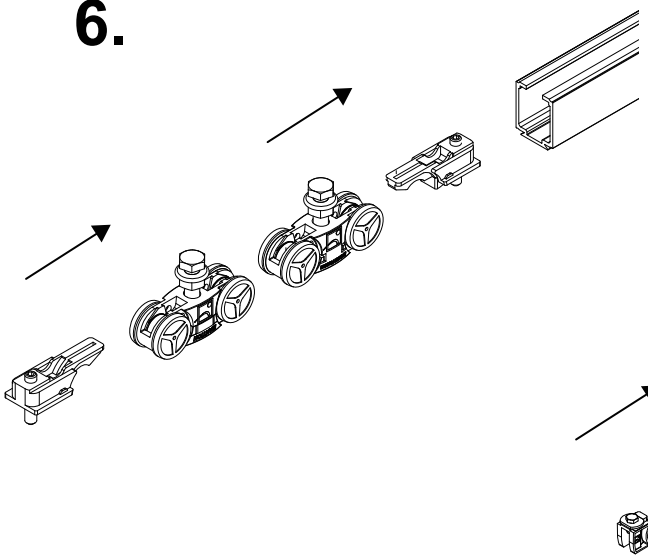
b)

x2

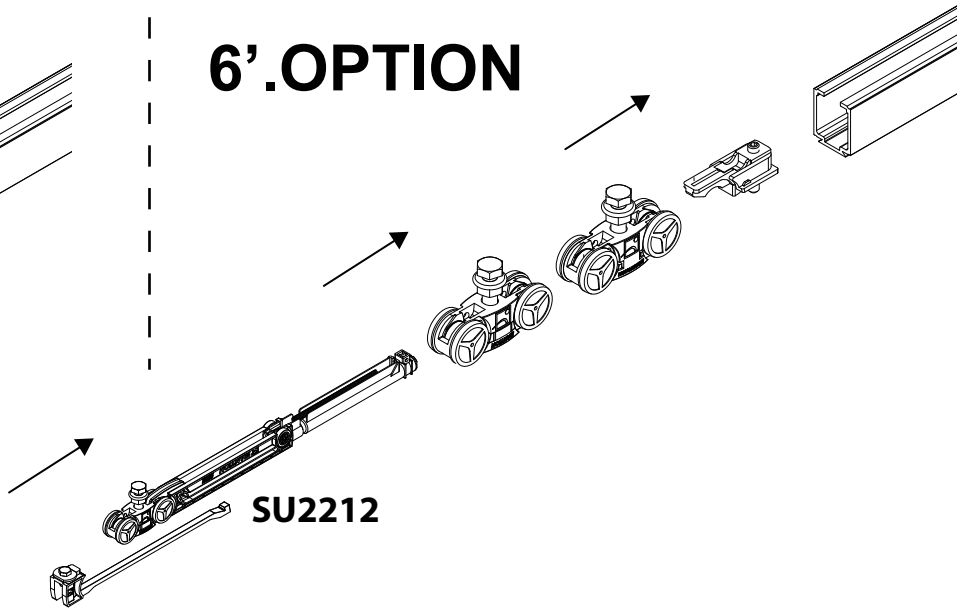
V3 x4



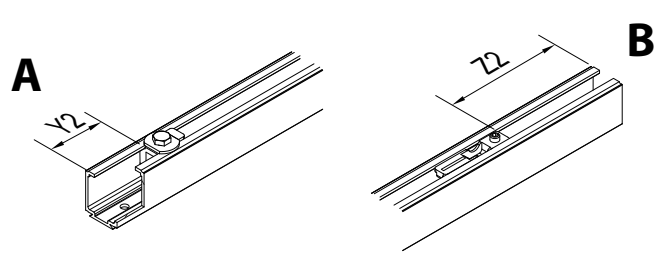
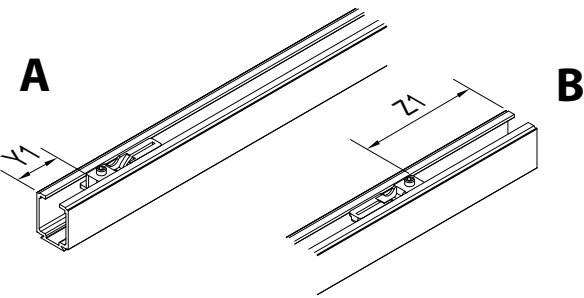
6.



6'.OPTION



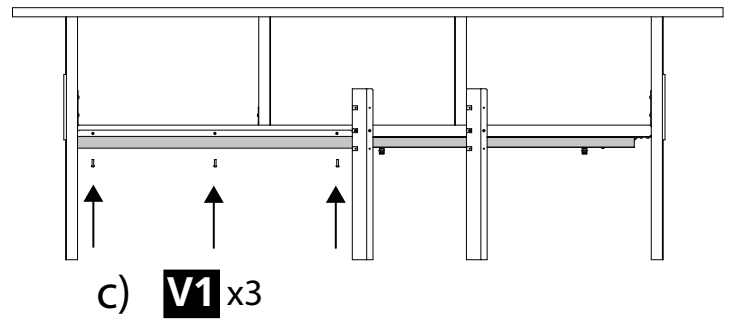
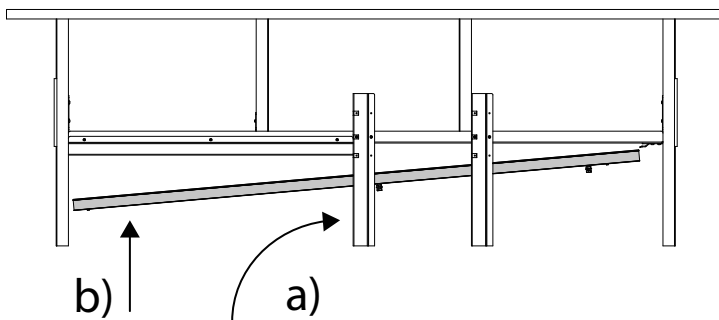
SU2212



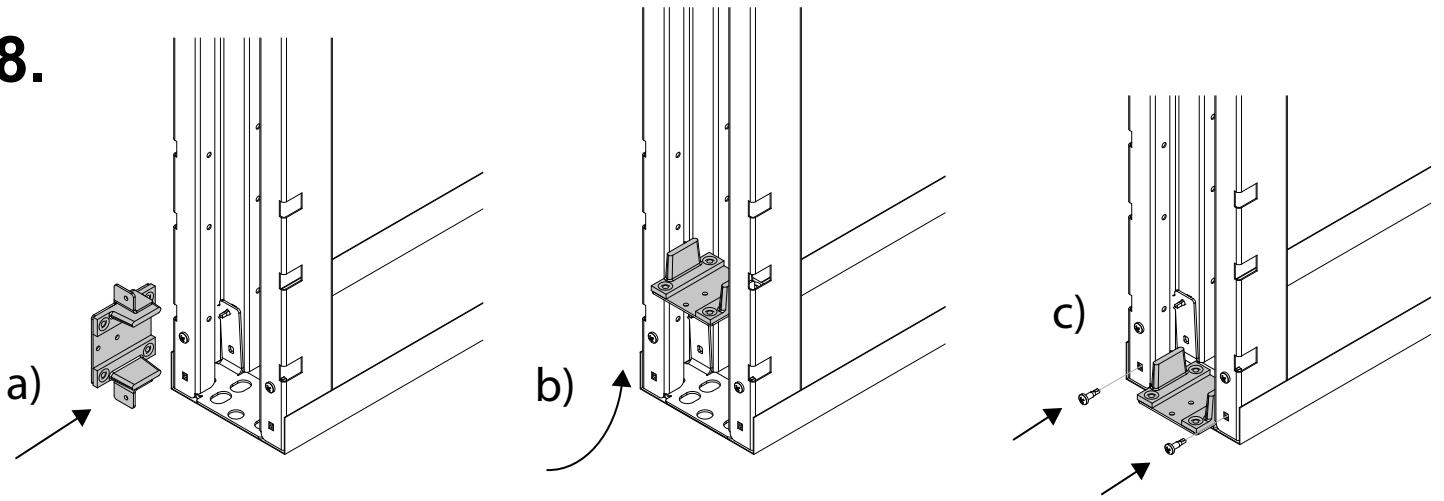
L	Y1	Z1
730	34 mm	38
735		28
830		88
860		28
930		138
985		28

L	Y2	Z2
730	43 mm	38
735		28
830		88
860		28
930		138
985		28

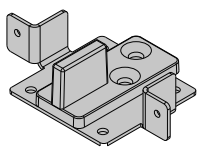
7.



8.

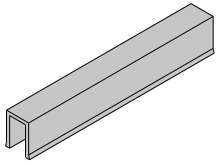


8'.OPTION

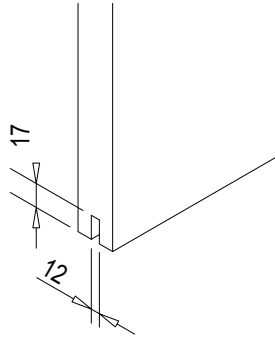


SU2307

+

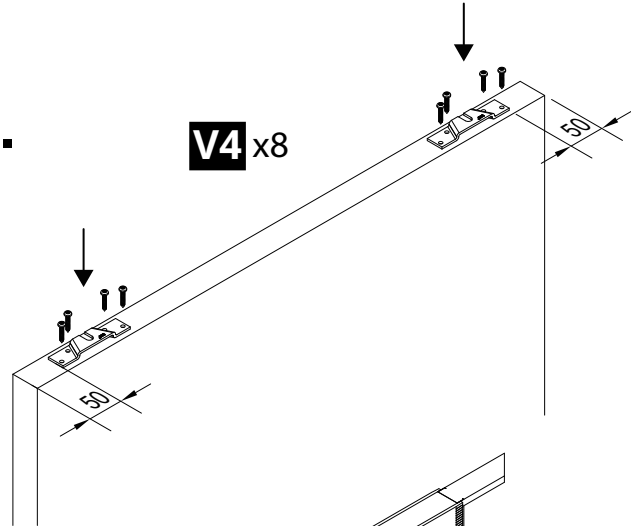


SU5023

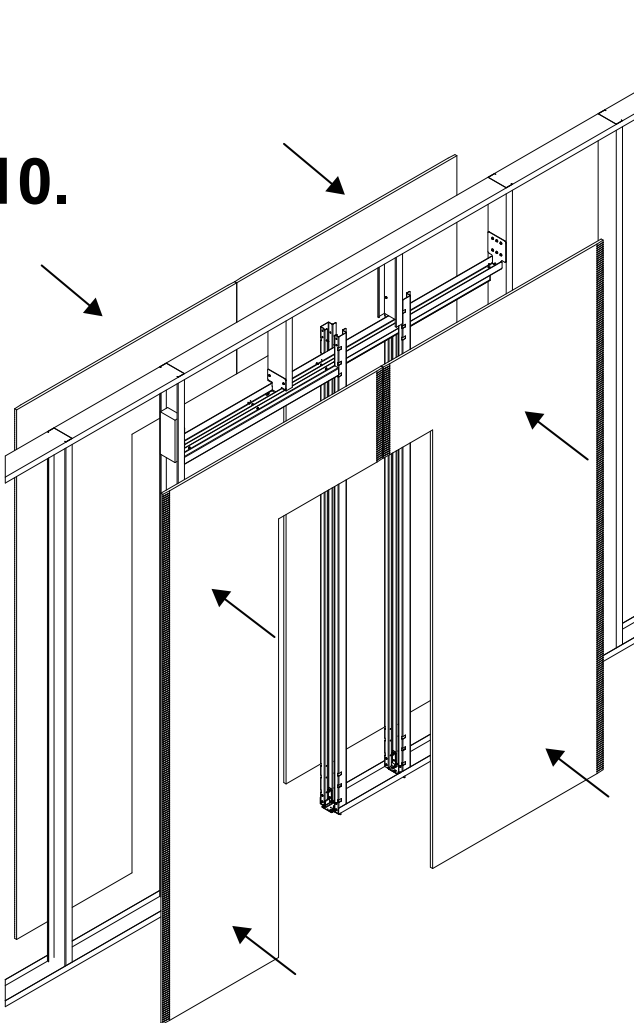


9.

V4x8



10.



11.

