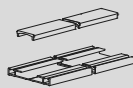
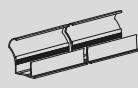


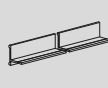
x1



x1



x6



x3



x3



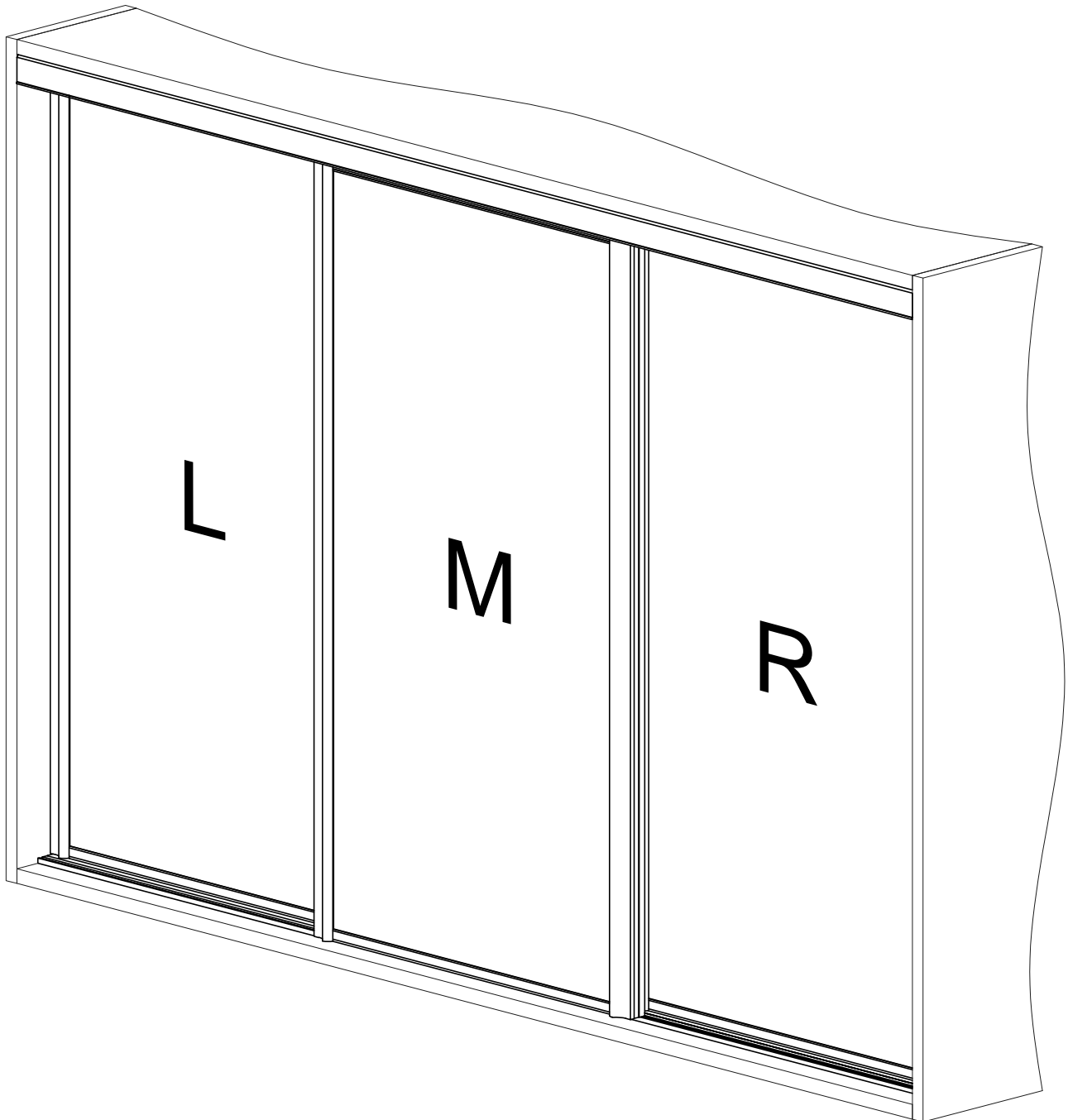
x6



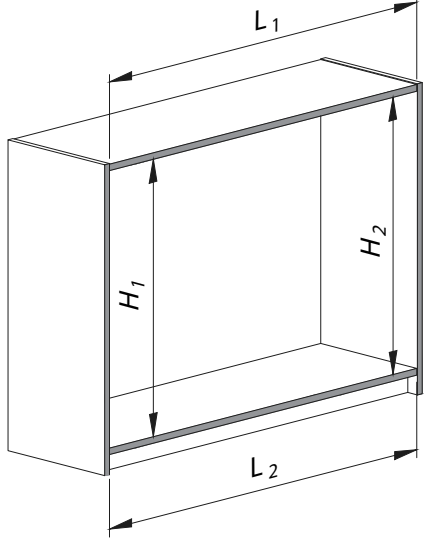
x6



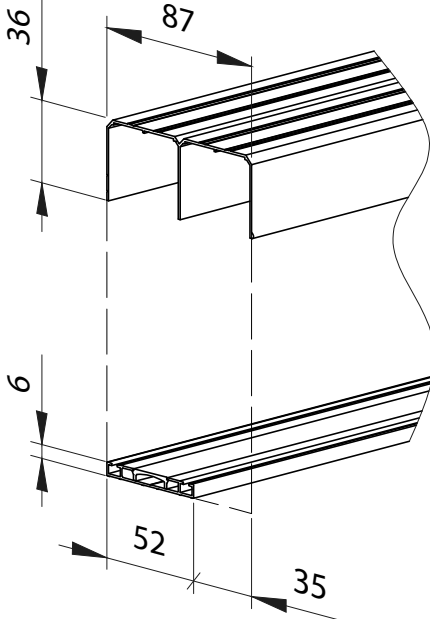
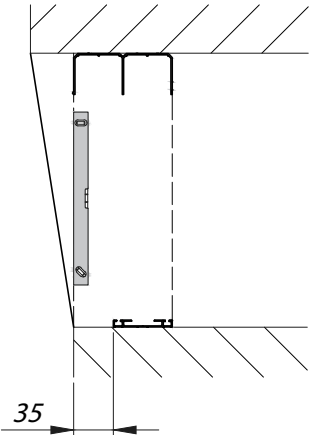
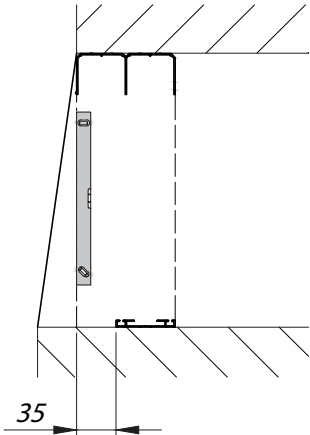
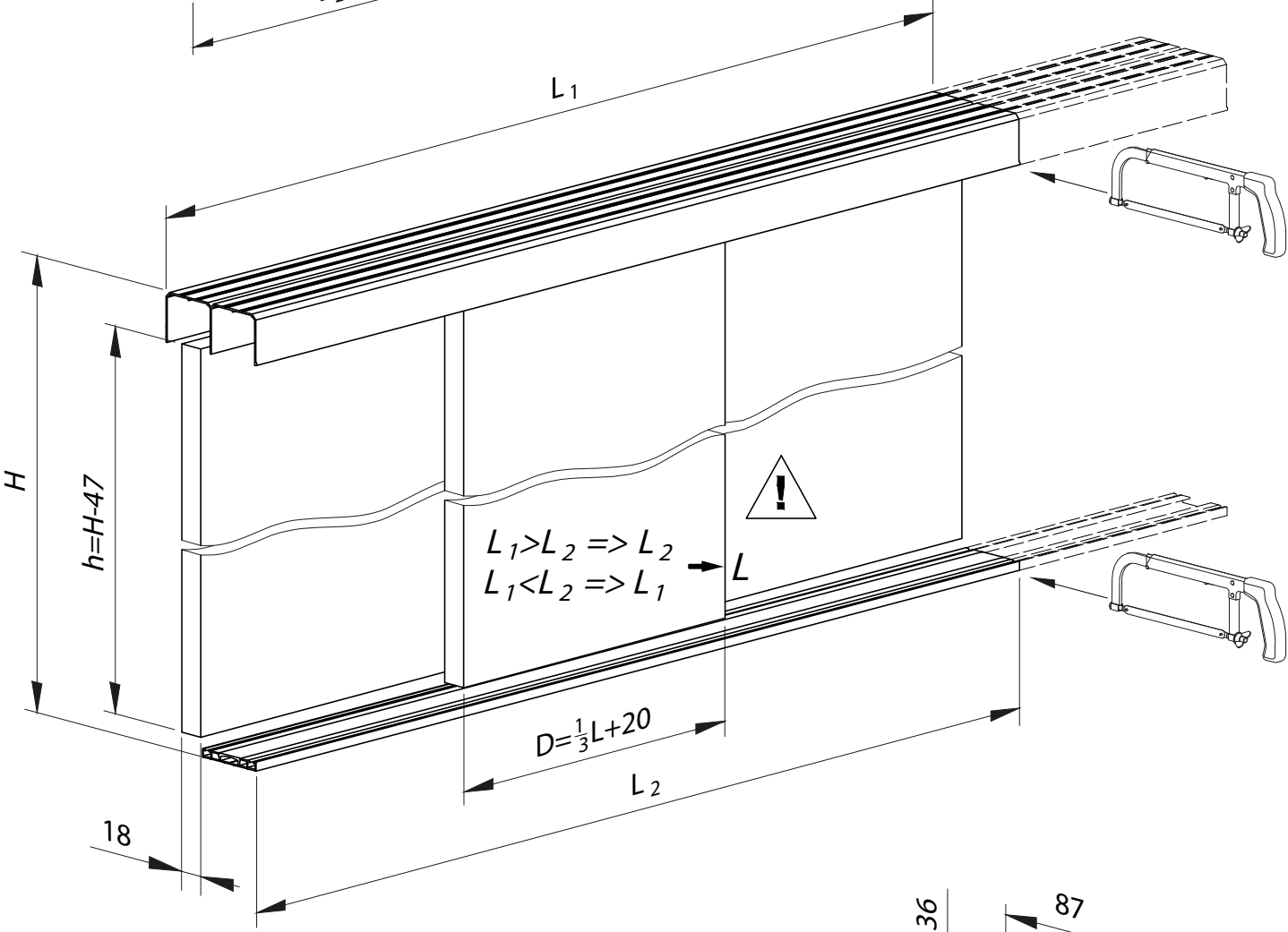
x1



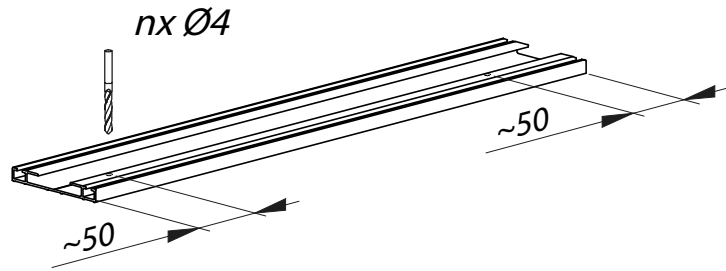
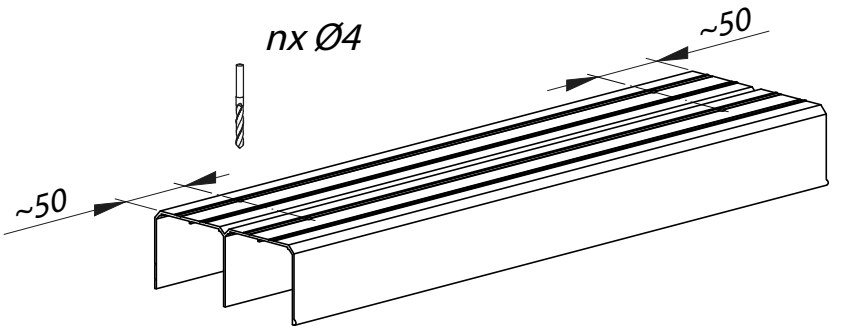
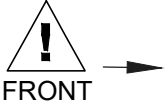
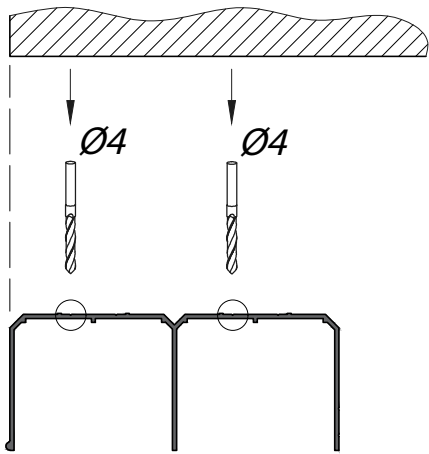
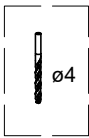
1



$H_1 > H_2 \Rightarrow H_2 \rightarrow H$
 $H_1 < H_2 \Rightarrow H_1 \rightarrow H$

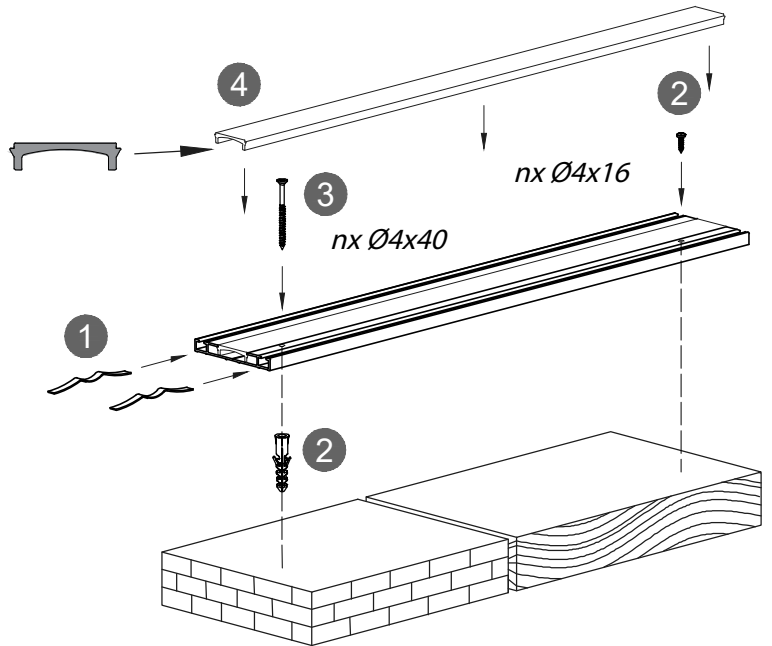
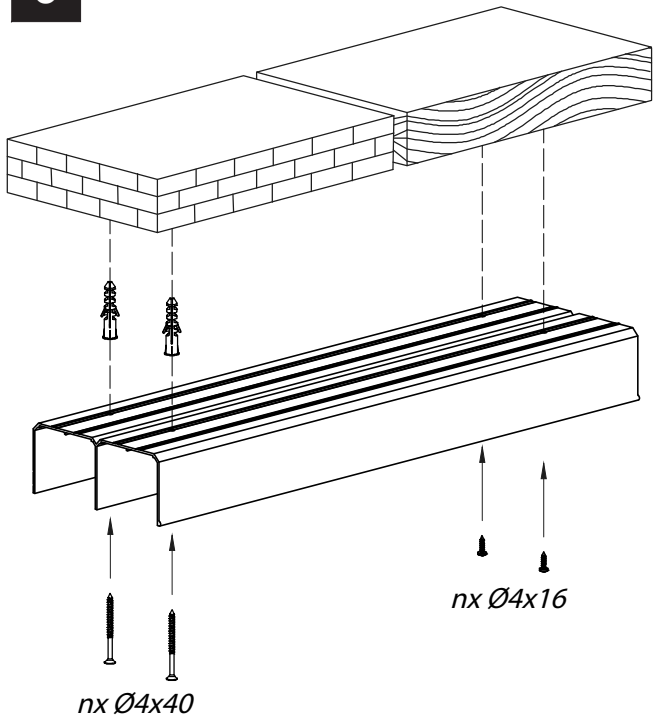


2

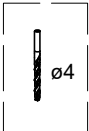


L[mm]	1200	1500	1800	2000
n[pcs]	3	3	4	4

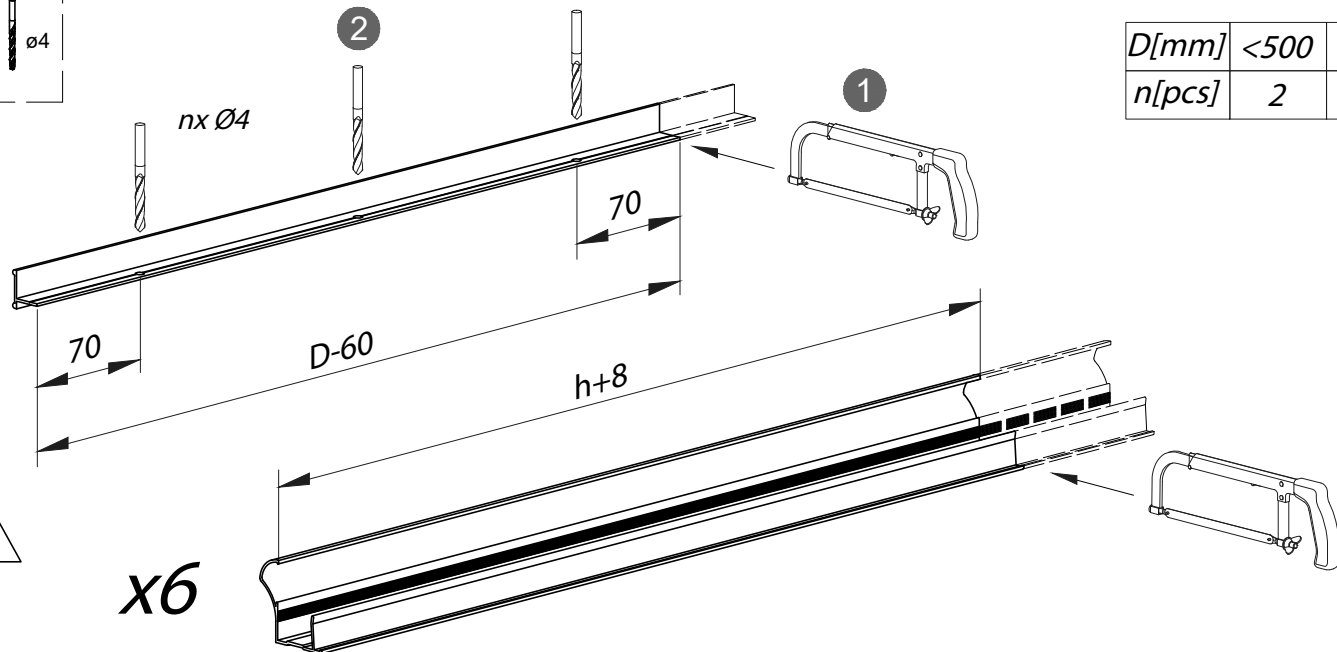
3



4

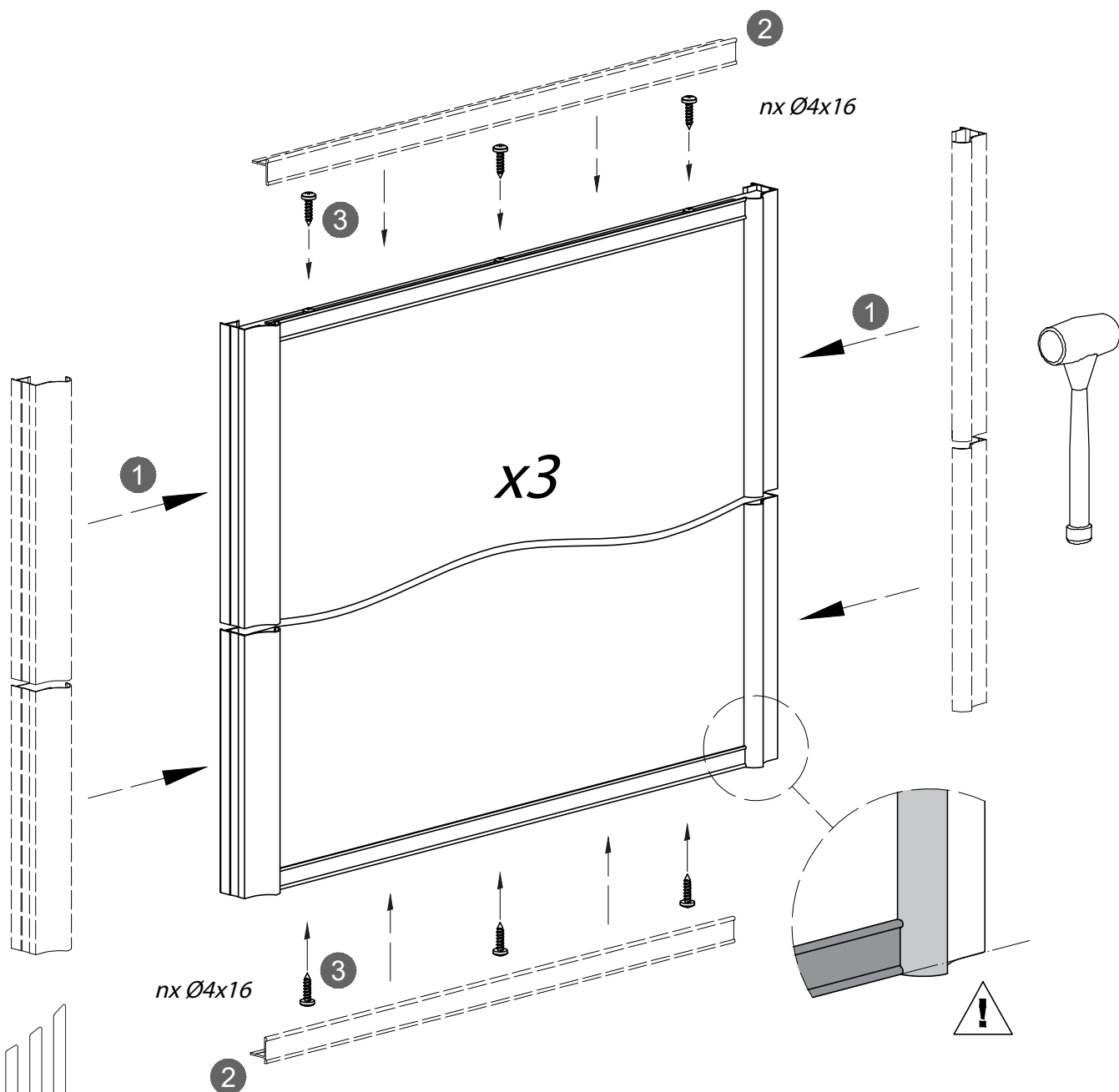
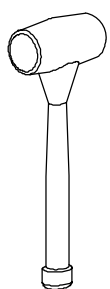


x6

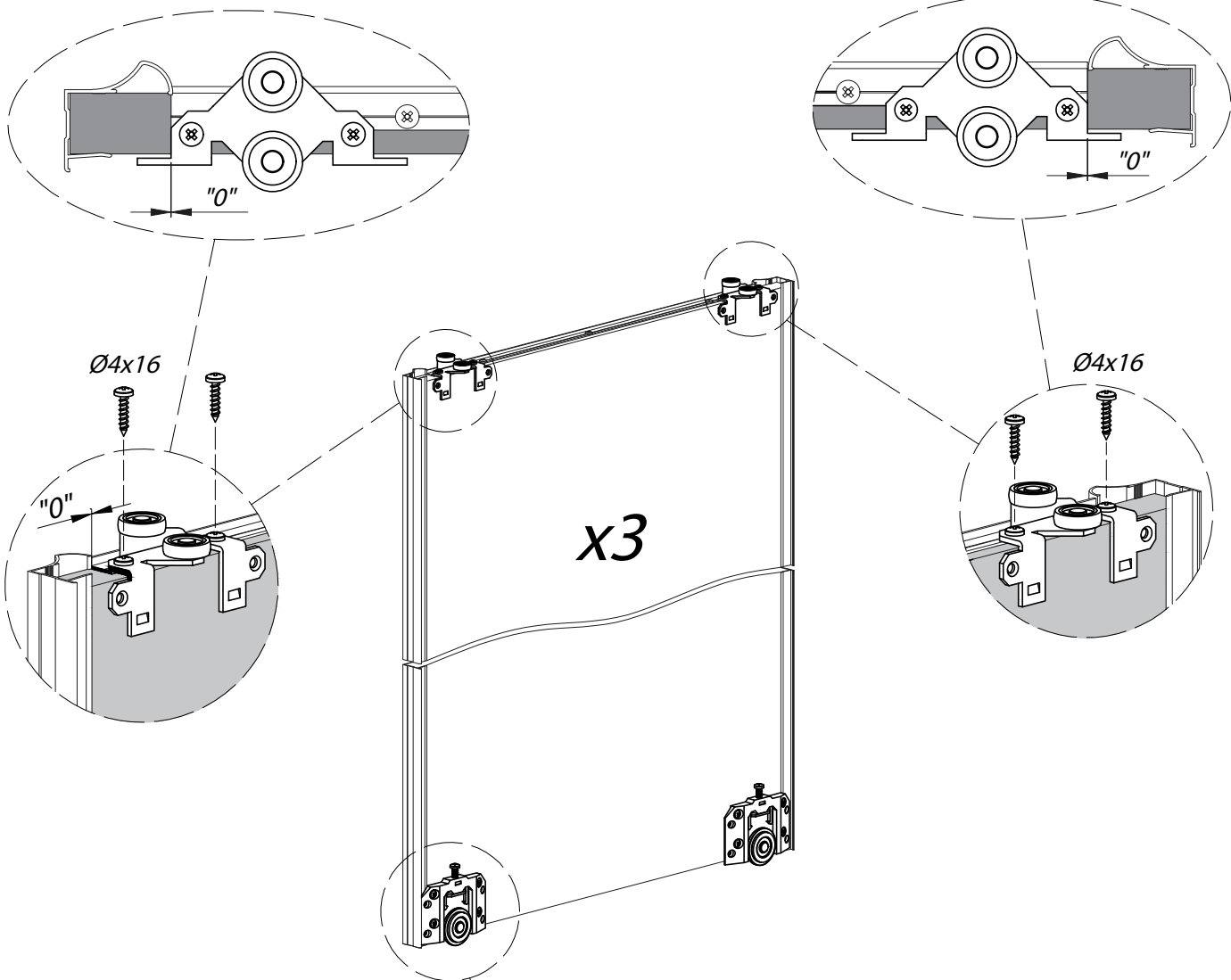


D[mm]	<500	≥500
n[pcs]	2	3

5



6



7

