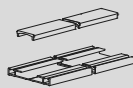
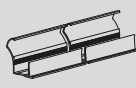


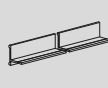
x1



x1



x6



x3



x3



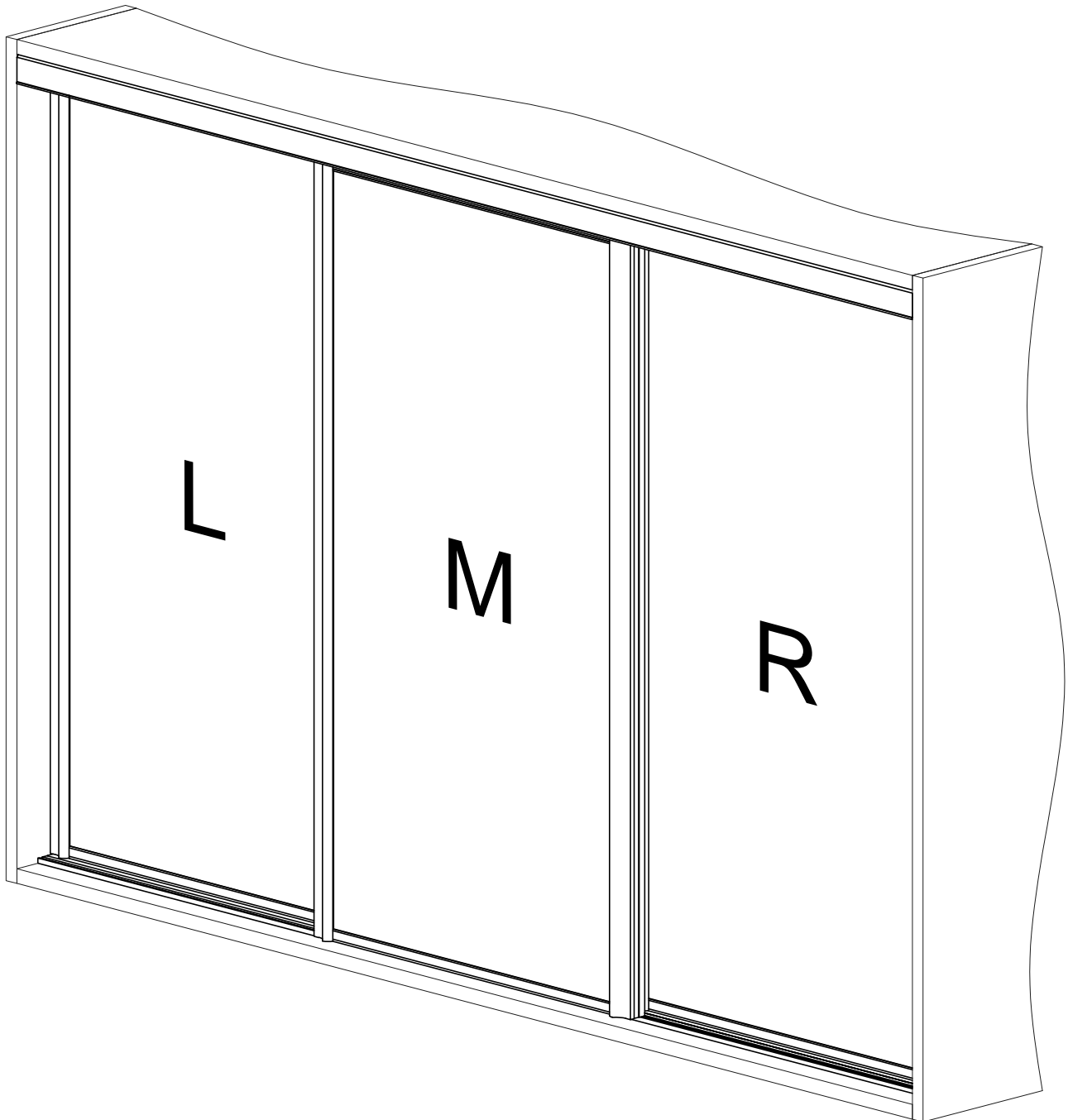
x6



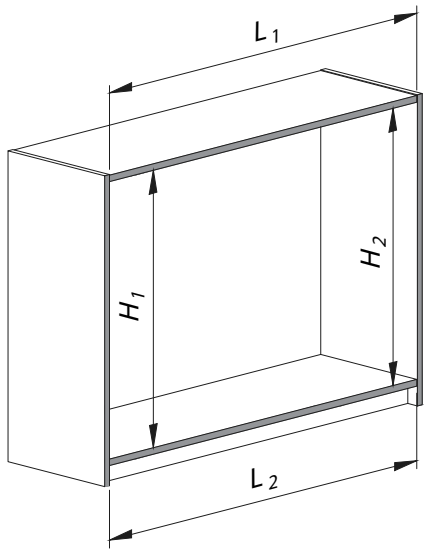
x6



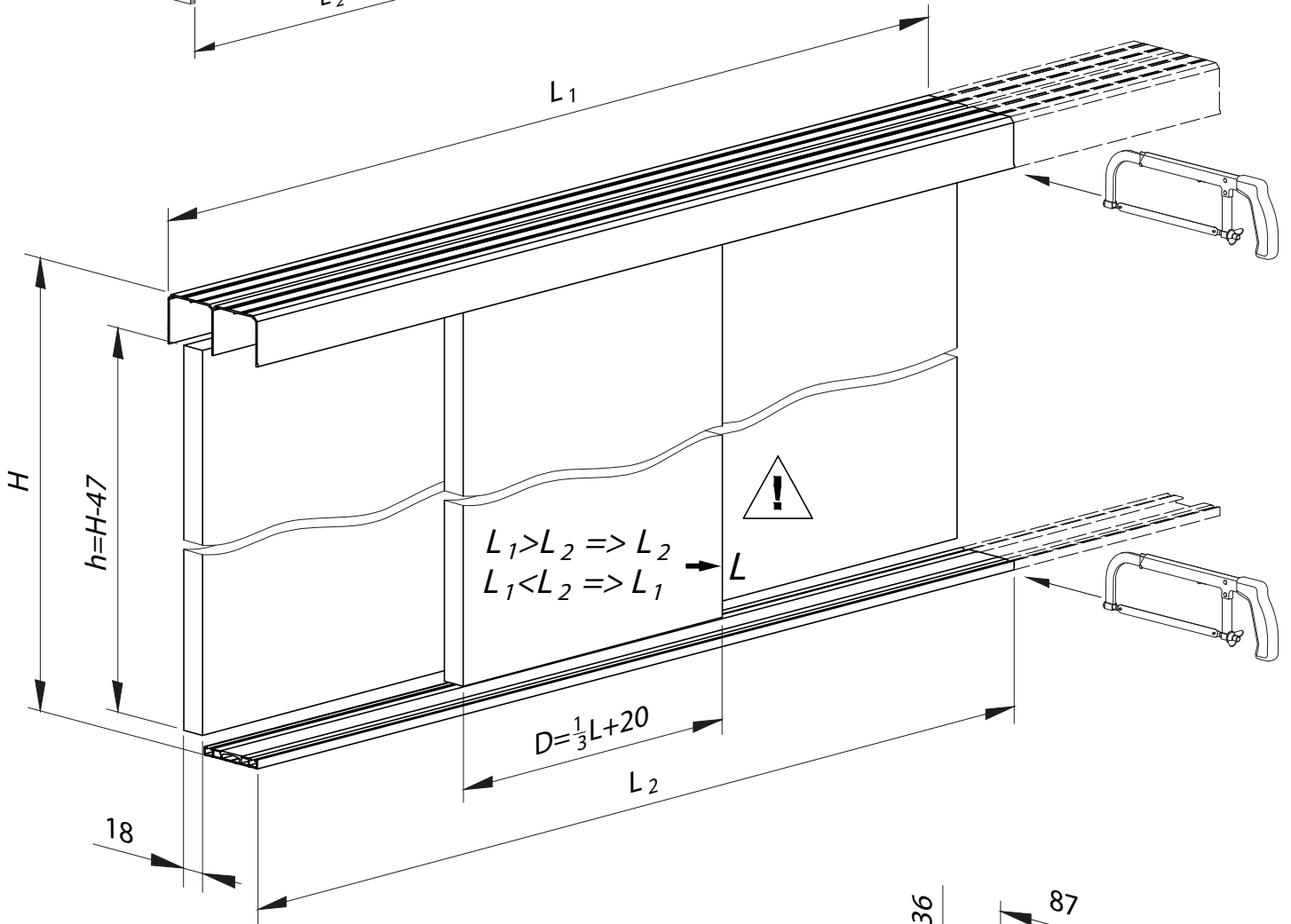
x1



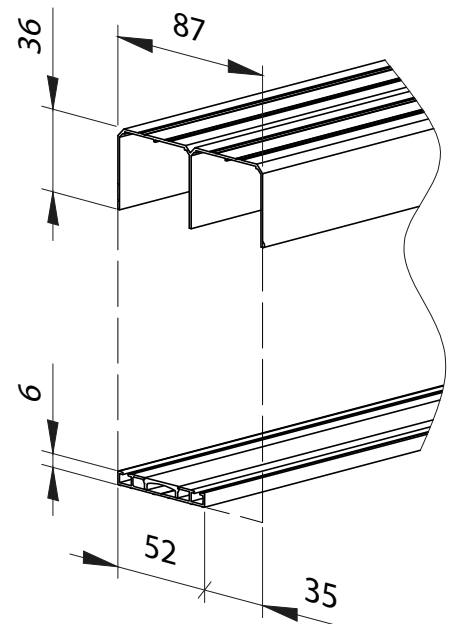
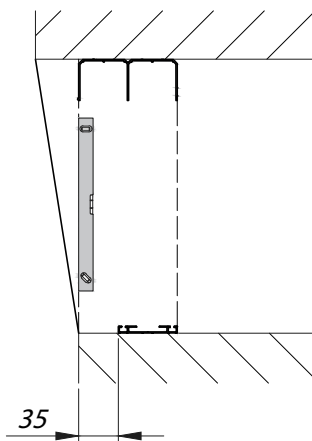
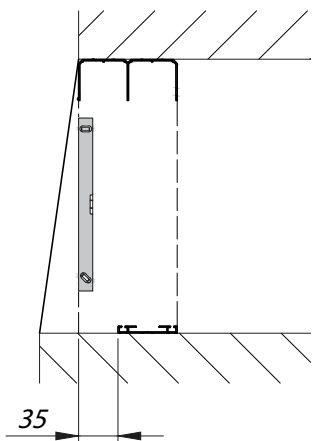
1



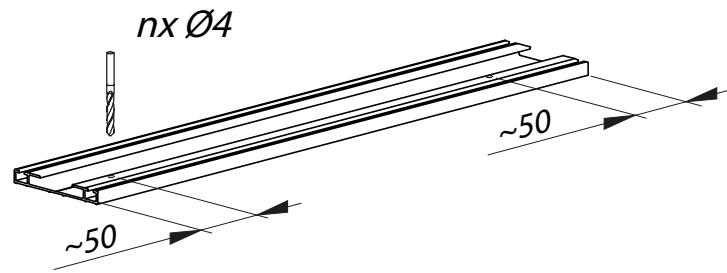
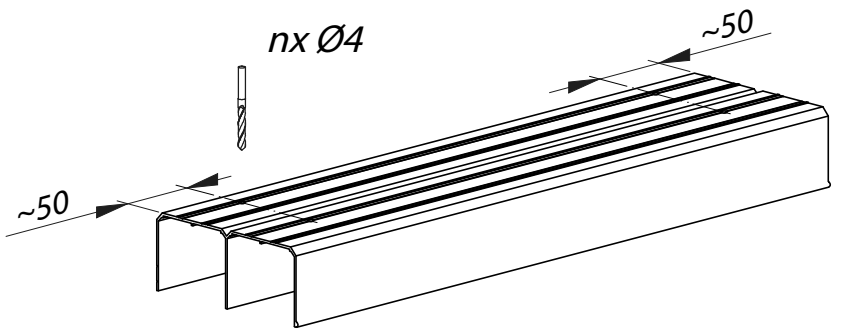
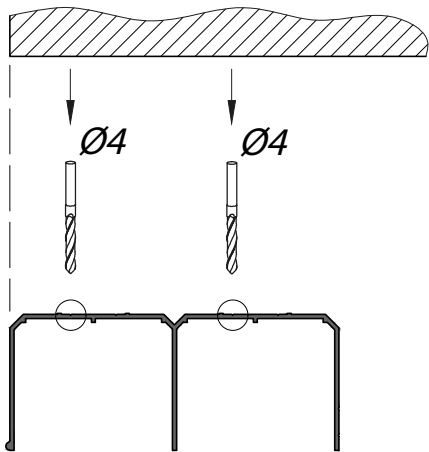
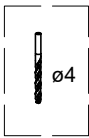
$H_1 > H_2 \Rightarrow H_2 \rightarrow H$   
 $H_1 < H_2 \Rightarrow H_1 \rightarrow H$



$L_1 > L_2 \Rightarrow L_2 \rightarrow L$   
 $L_1 < L_2 \Rightarrow L_1 \rightarrow L$



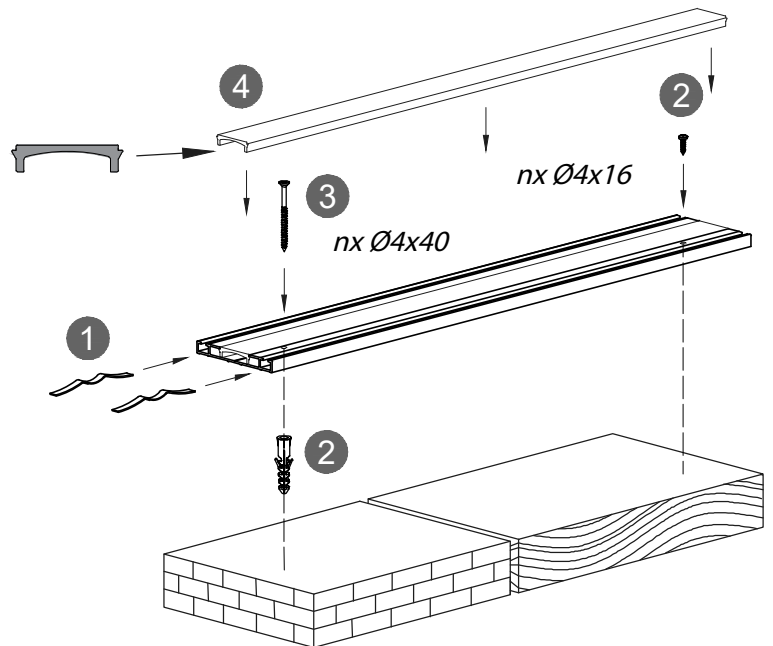
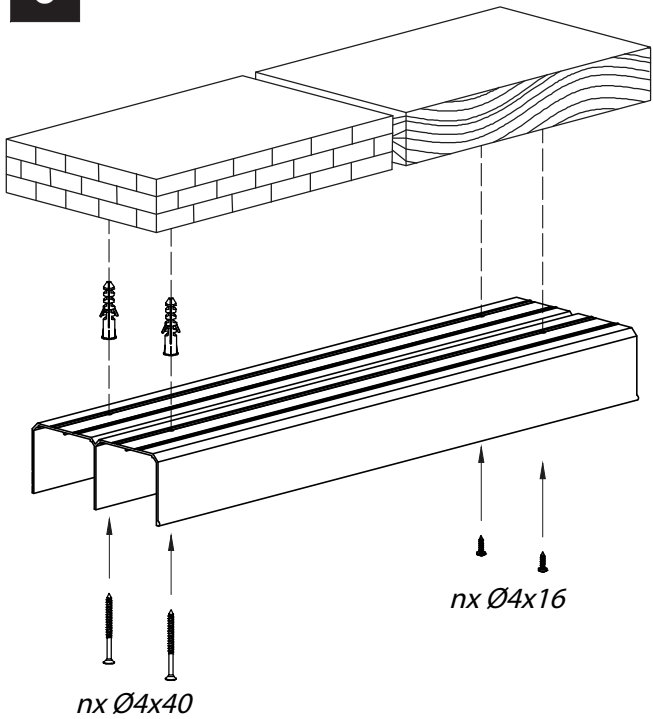
2



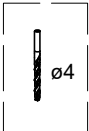
FRONT

L[mm]	1200	1500	1800	2000
n[pcs]	3	3	4	4

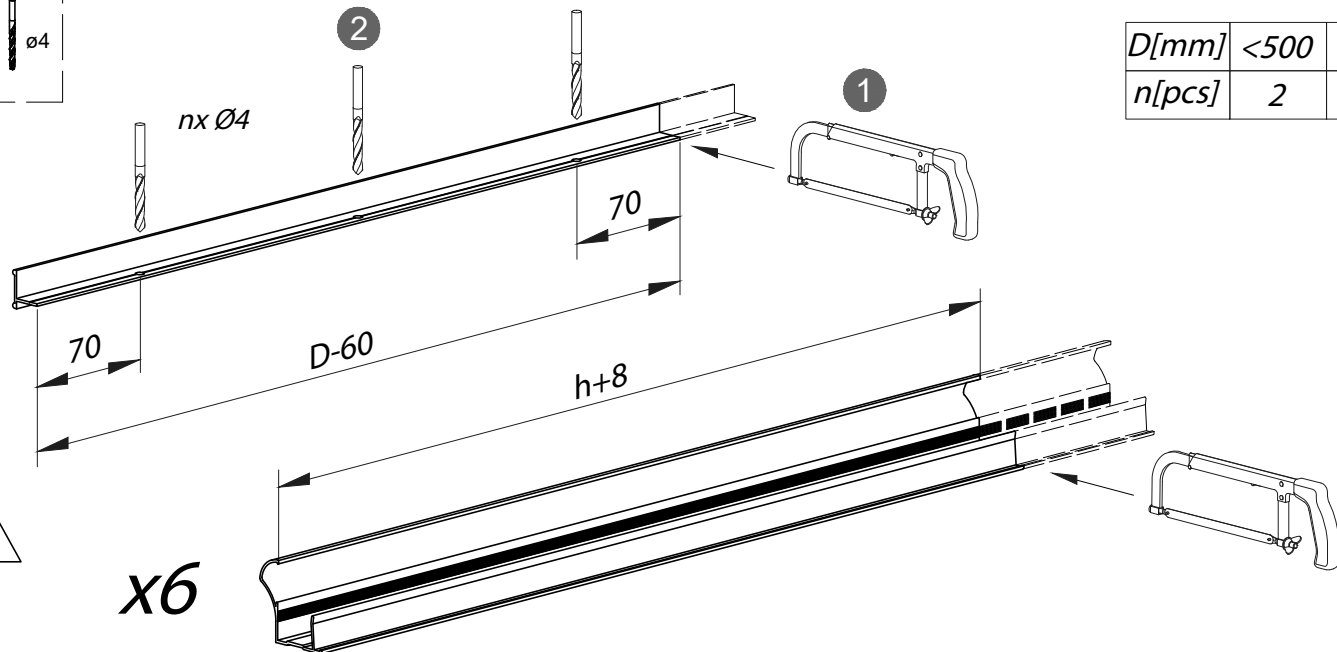
3



4

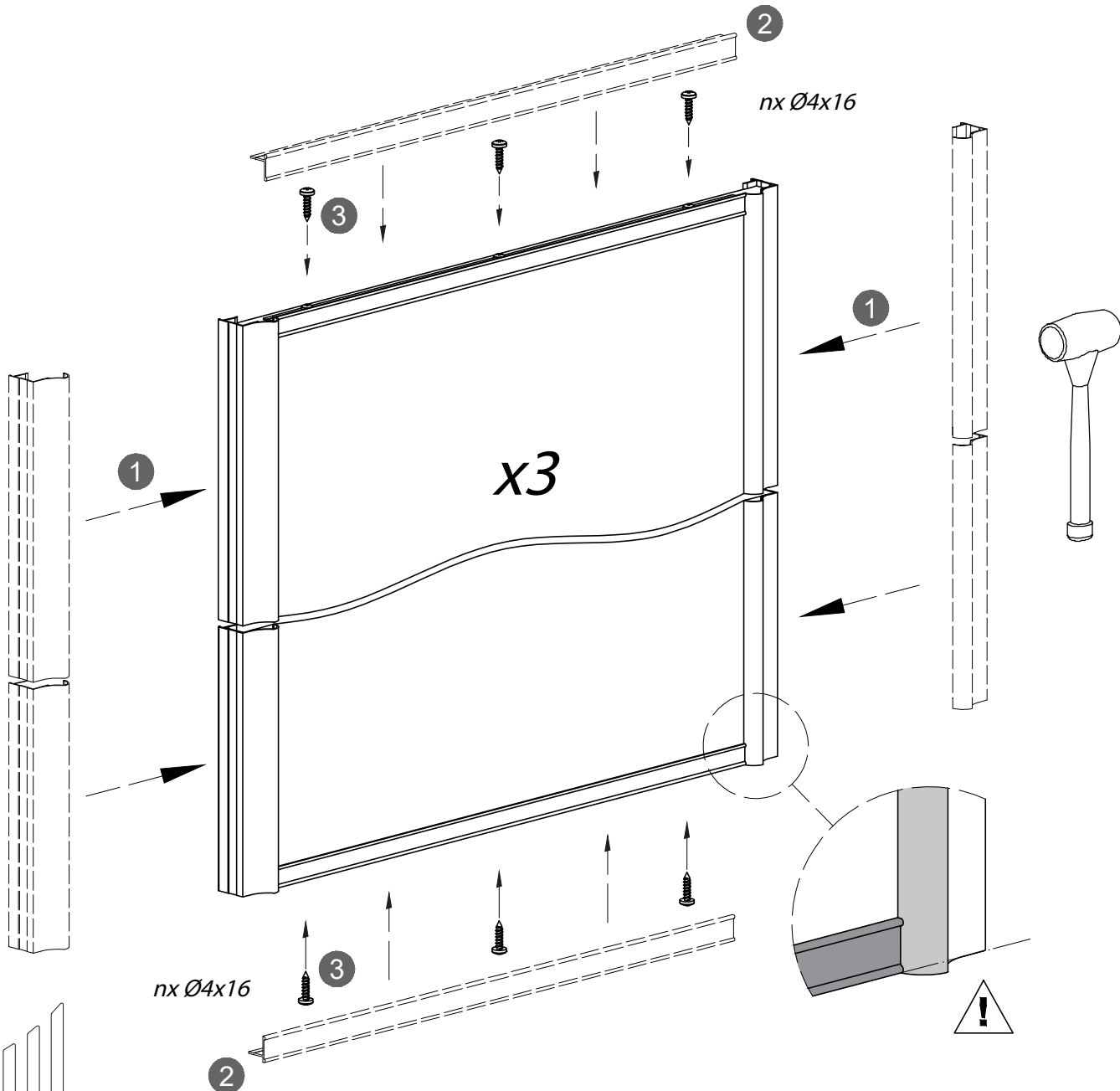
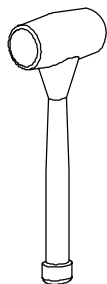


x6

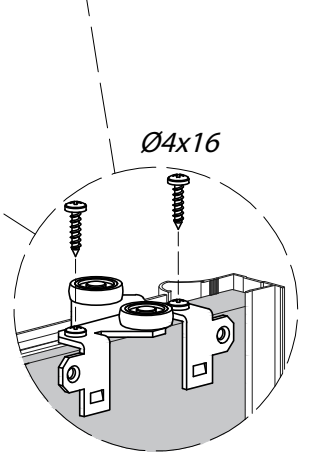
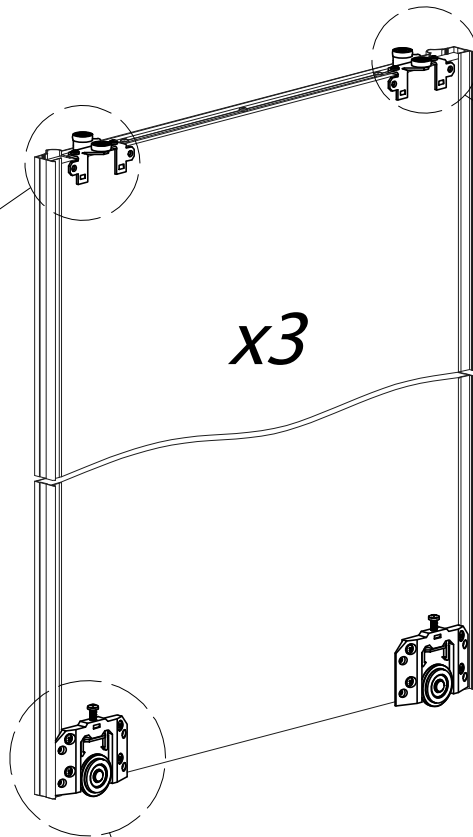
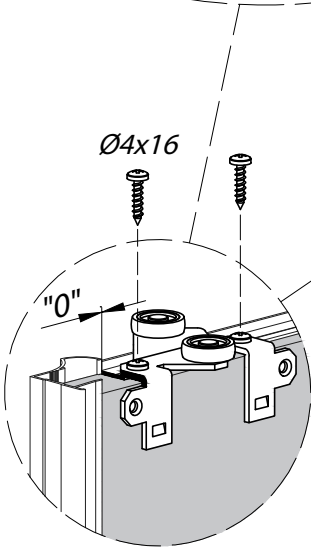
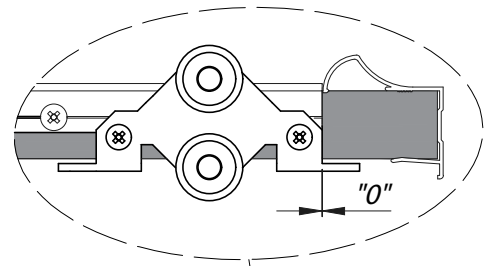
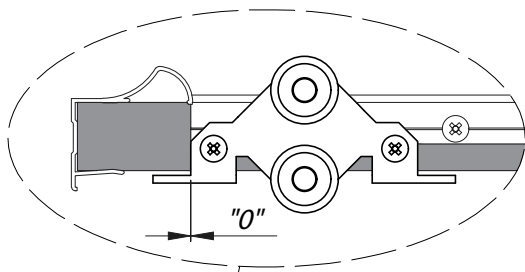


D[mm]	<500	≥500
n[pcs]	2	3

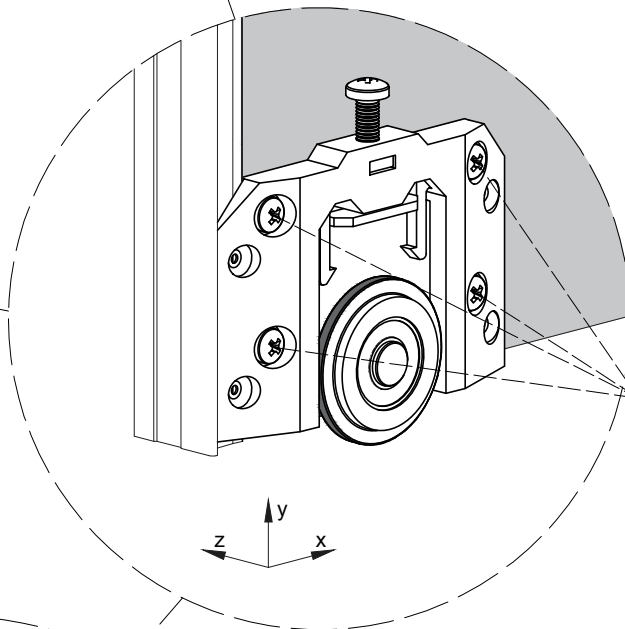
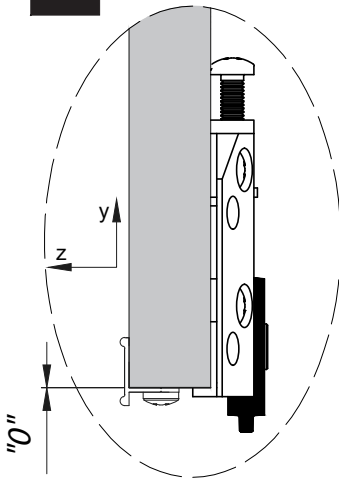
5



6



7



$\text{Ø}4 \times 16$

