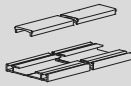


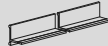
x1



x1



x4



x2



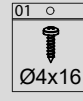
x2



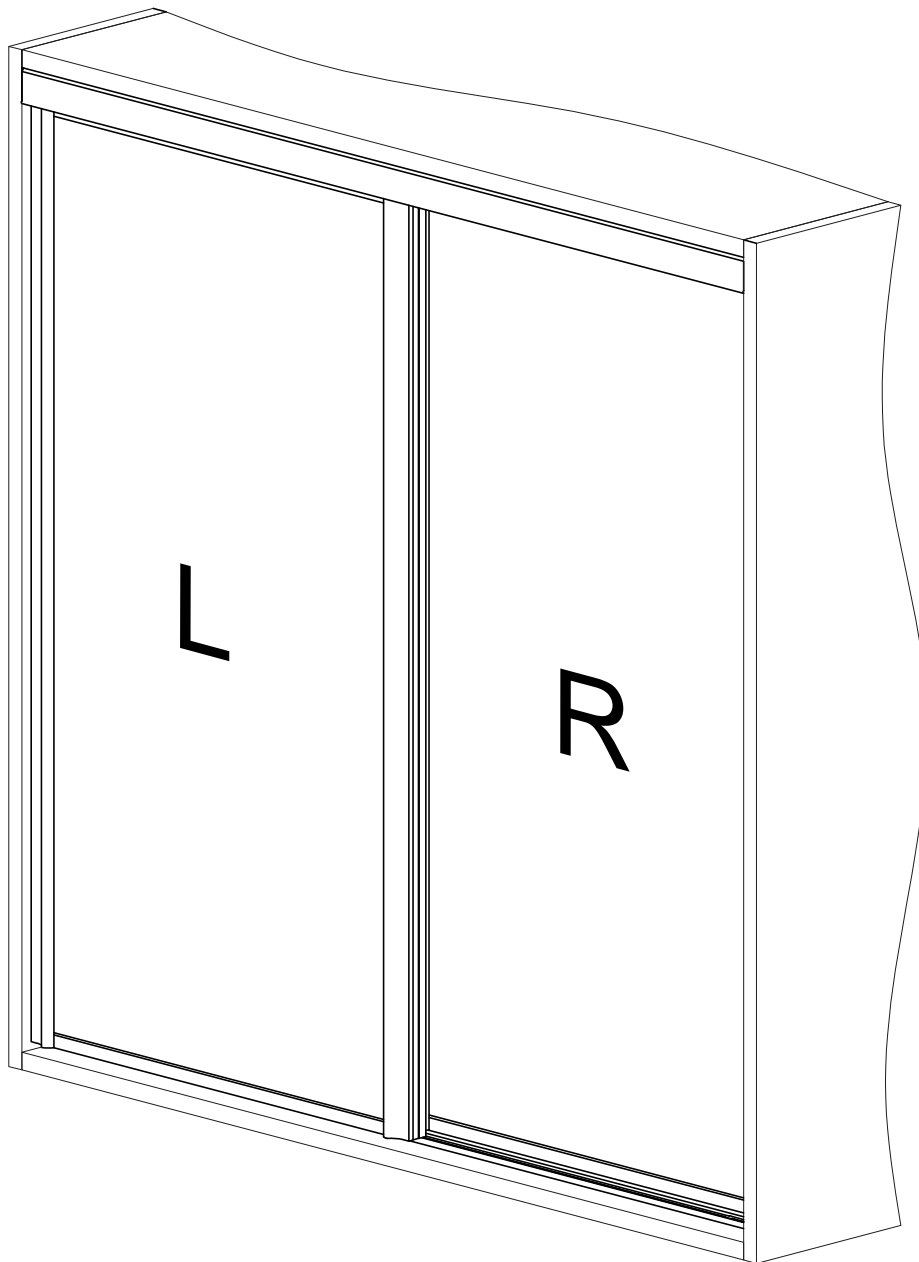
x4



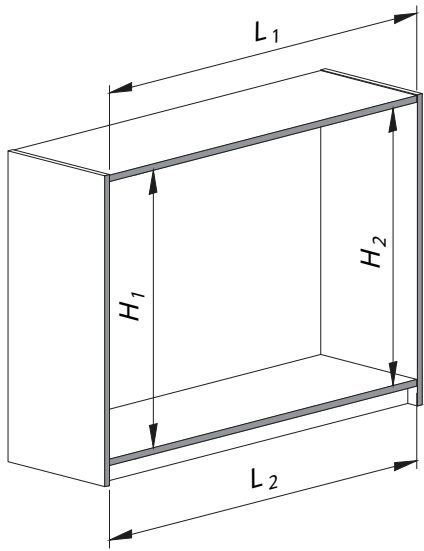
x4



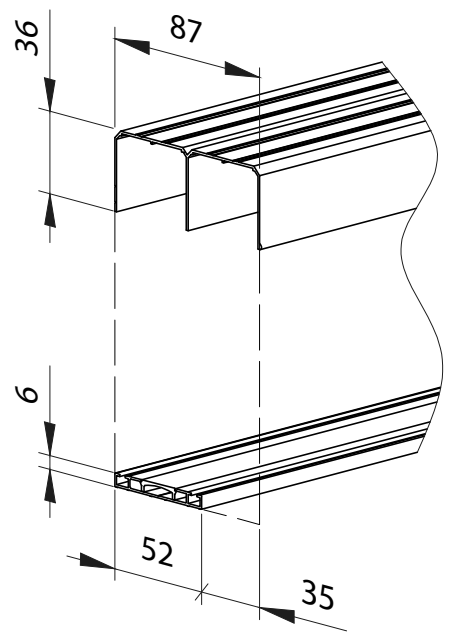
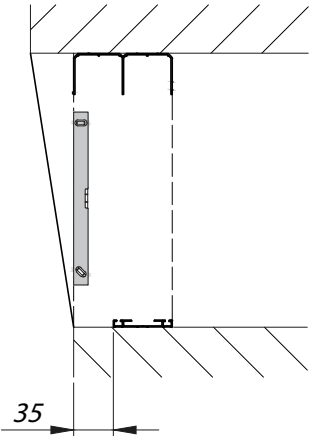
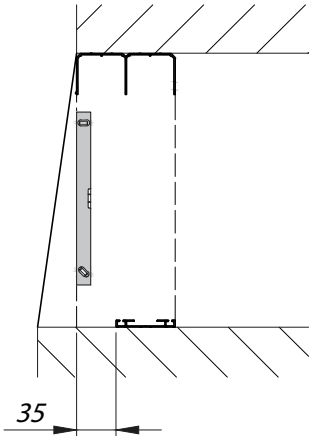
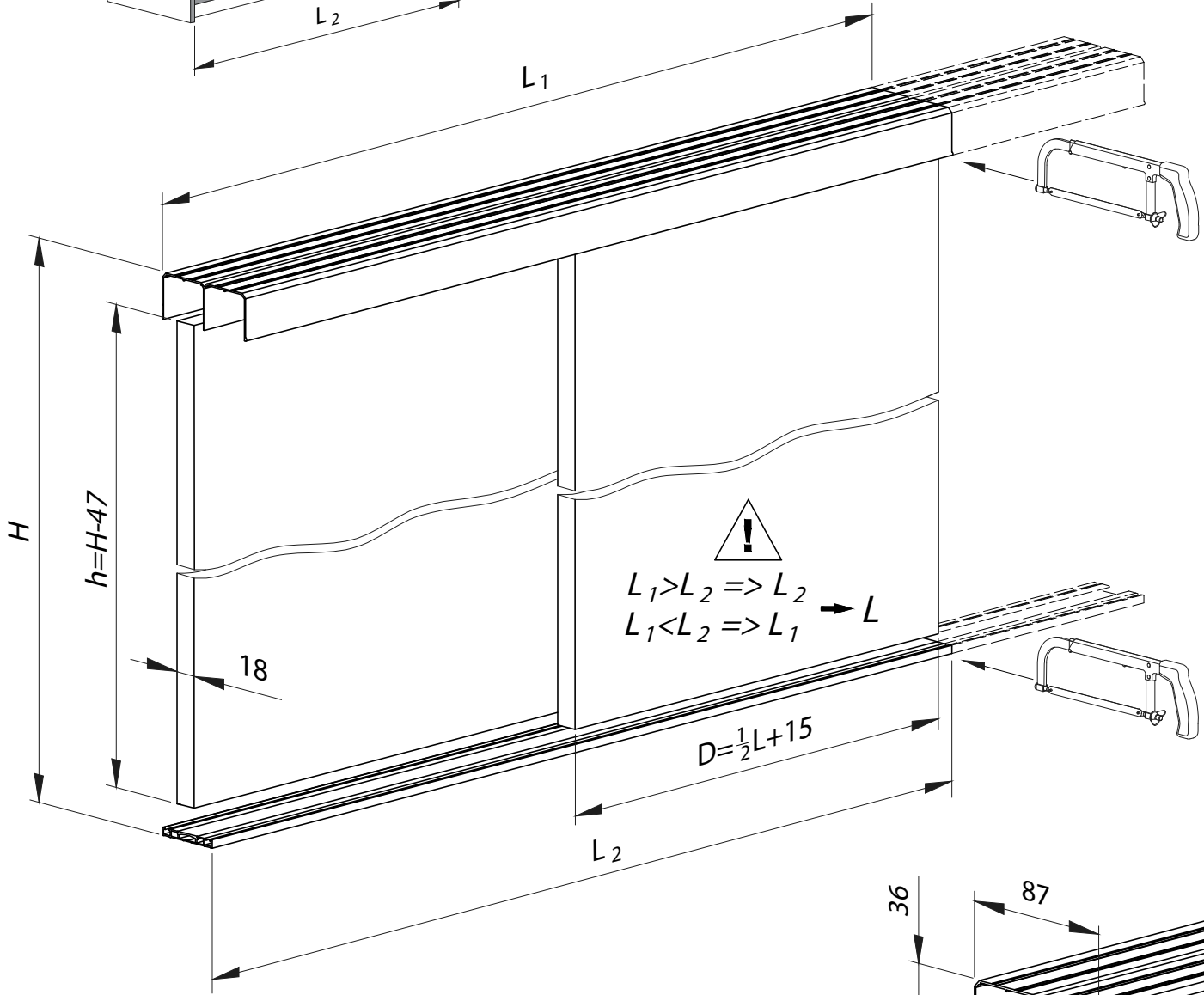
x1



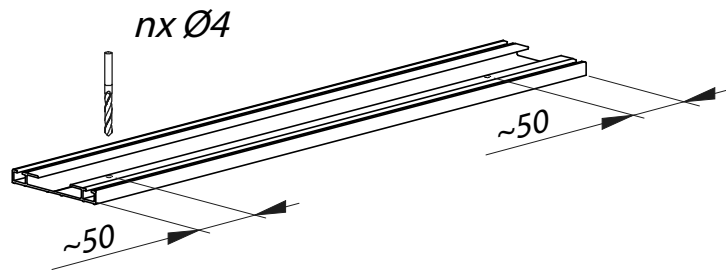
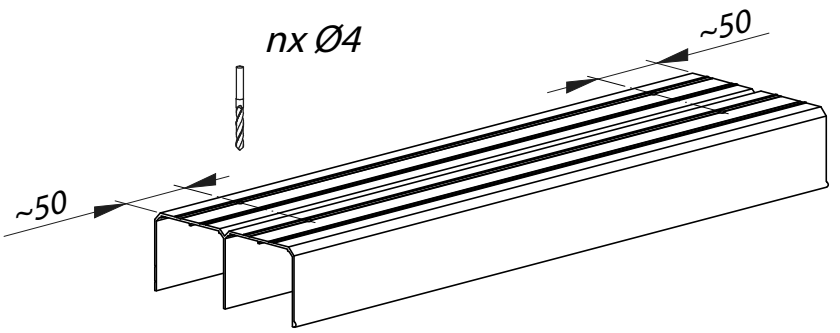
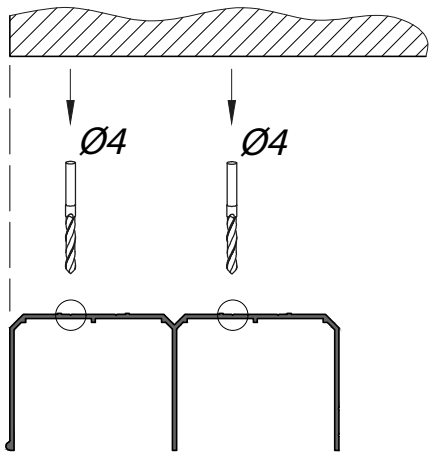
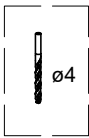
1



$H_1 > H_2 \Rightarrow H_2$
 $H_1 < H_2 \Rightarrow H_1 \rightarrow H$

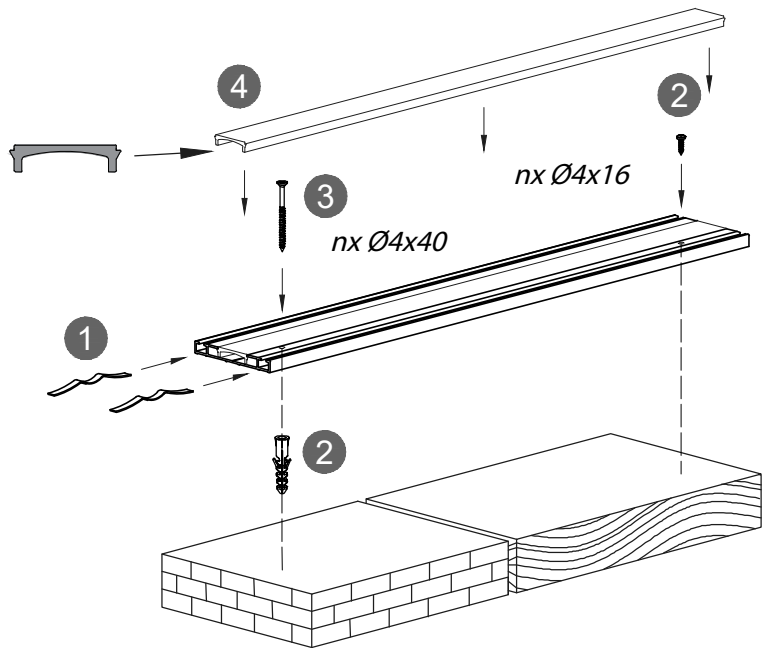
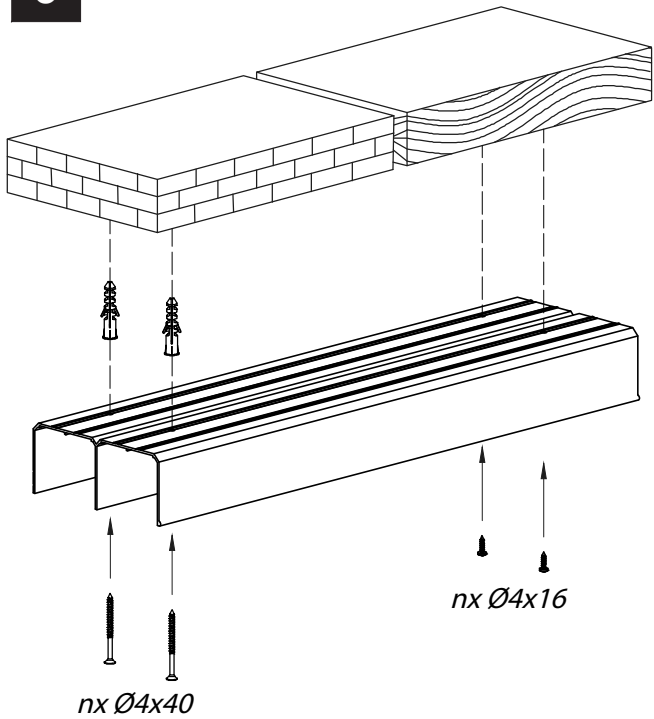


2



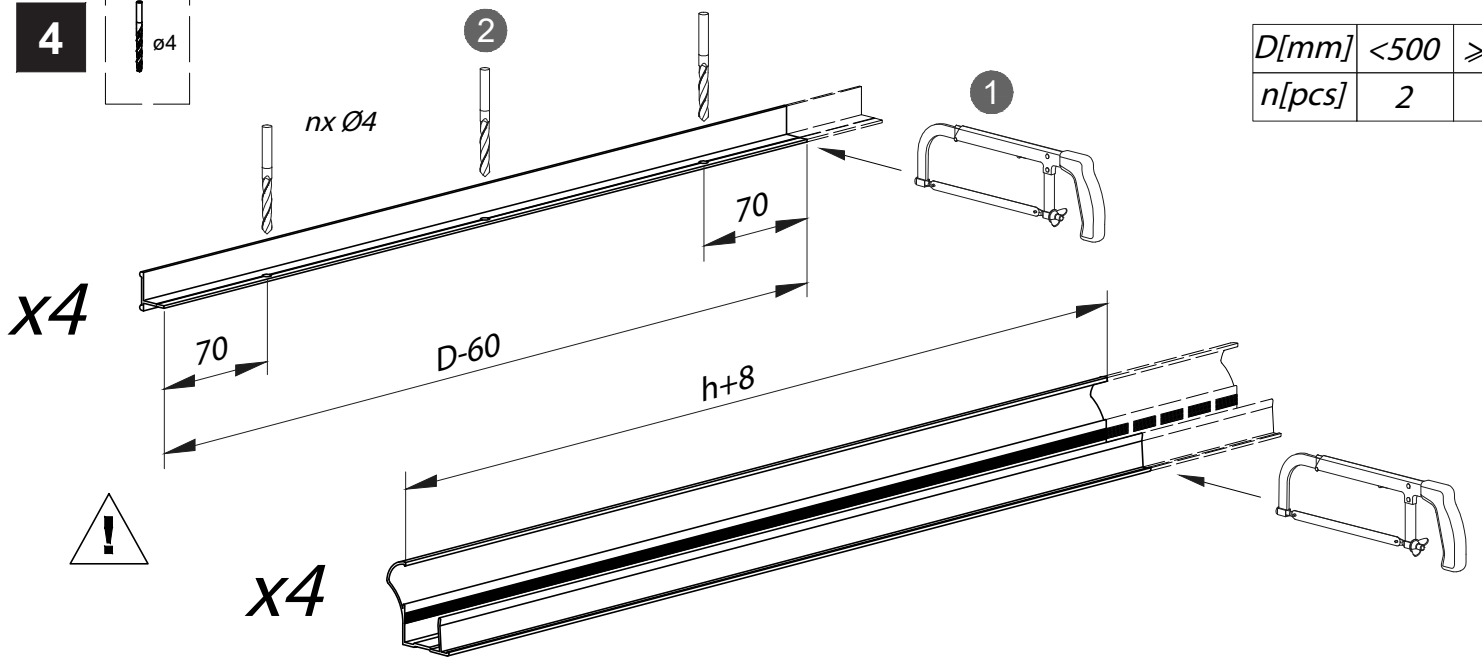
L[mm]	1200	1500	1800	2000
n[pcs]	3	3	4	4

3

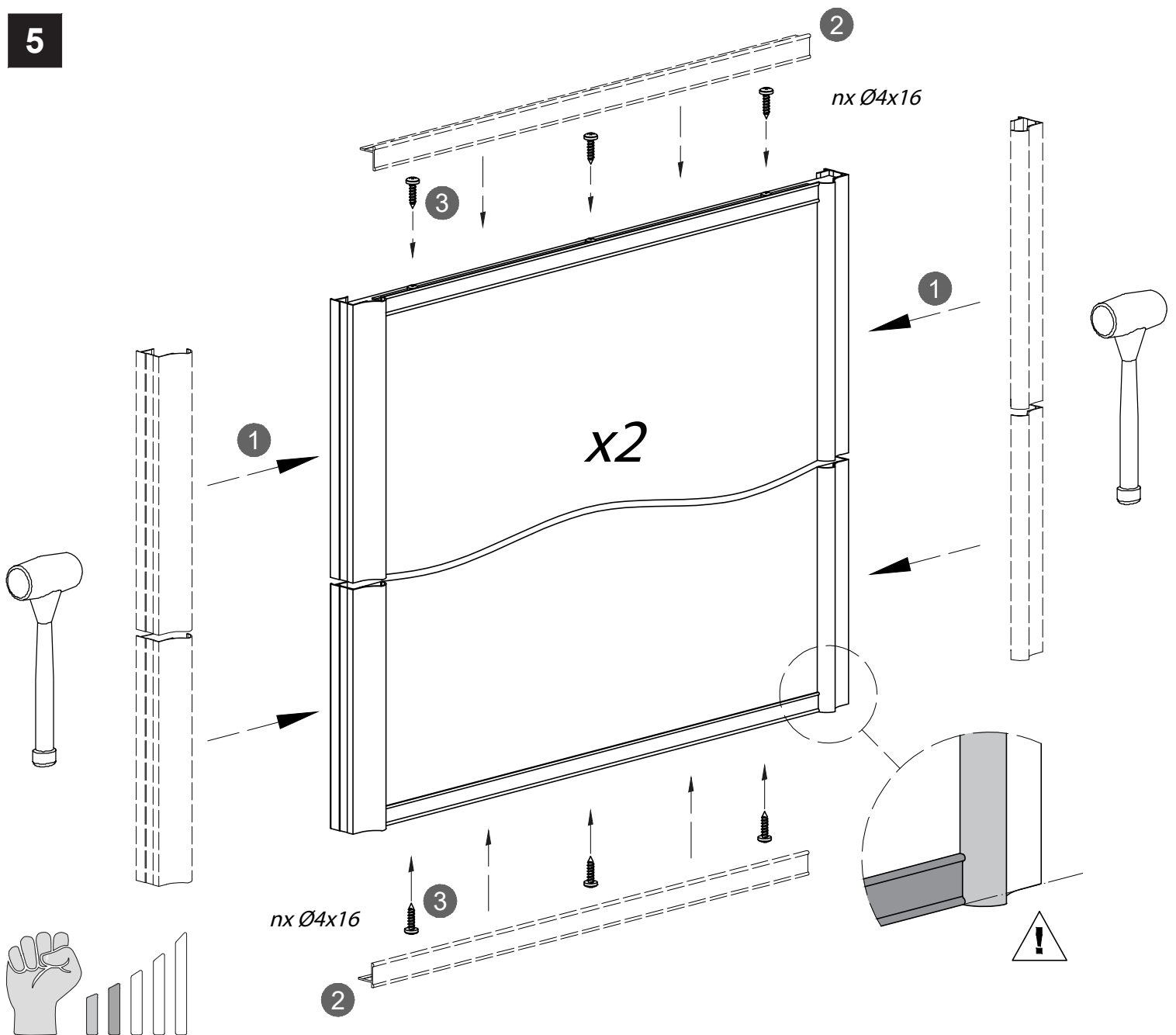


4  $\varnothing 4$

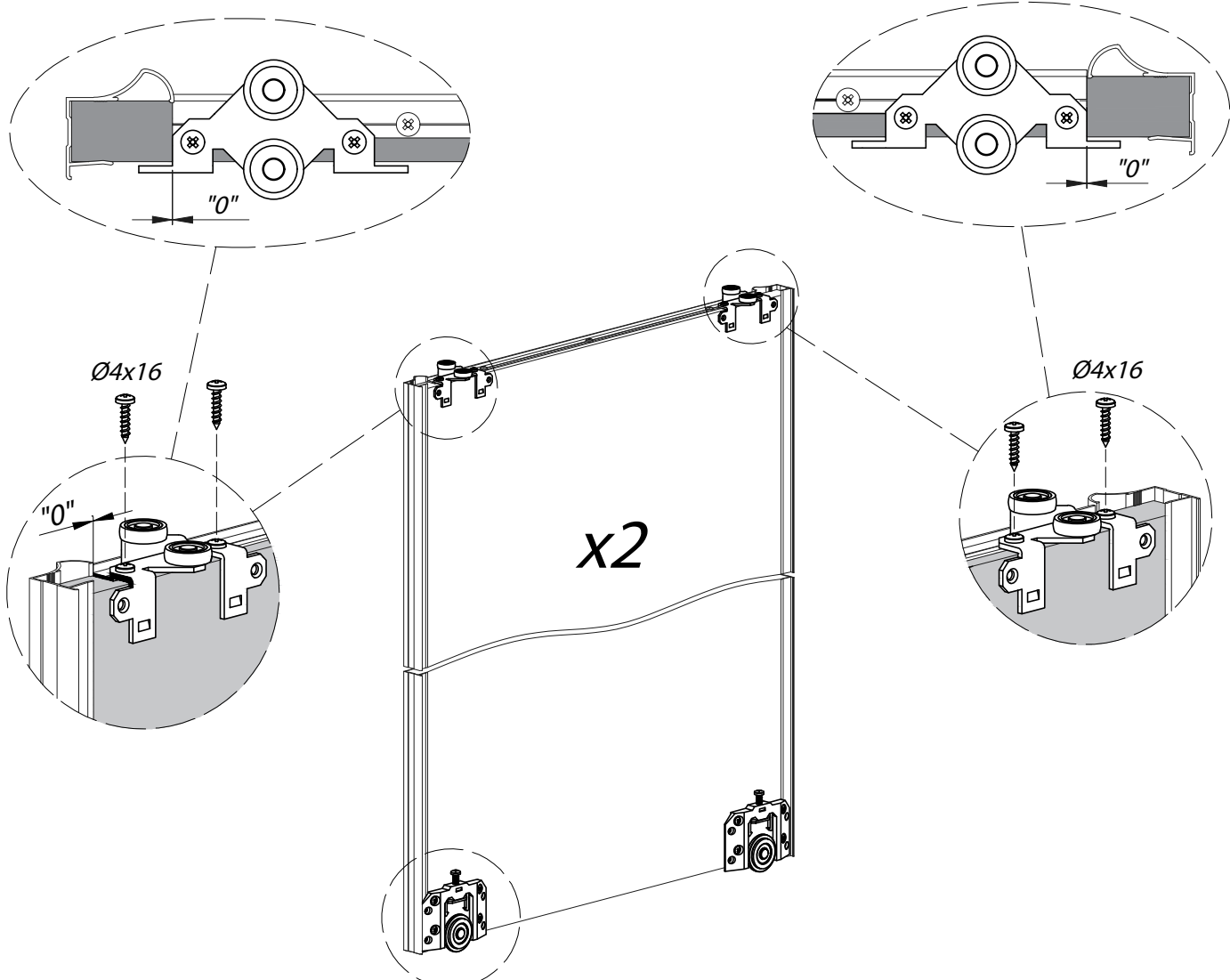
$D[mm]$	<500	≥ 500
$n[pcs]$	2	3



5



6



7

