



SLID'UP
BY MANTION

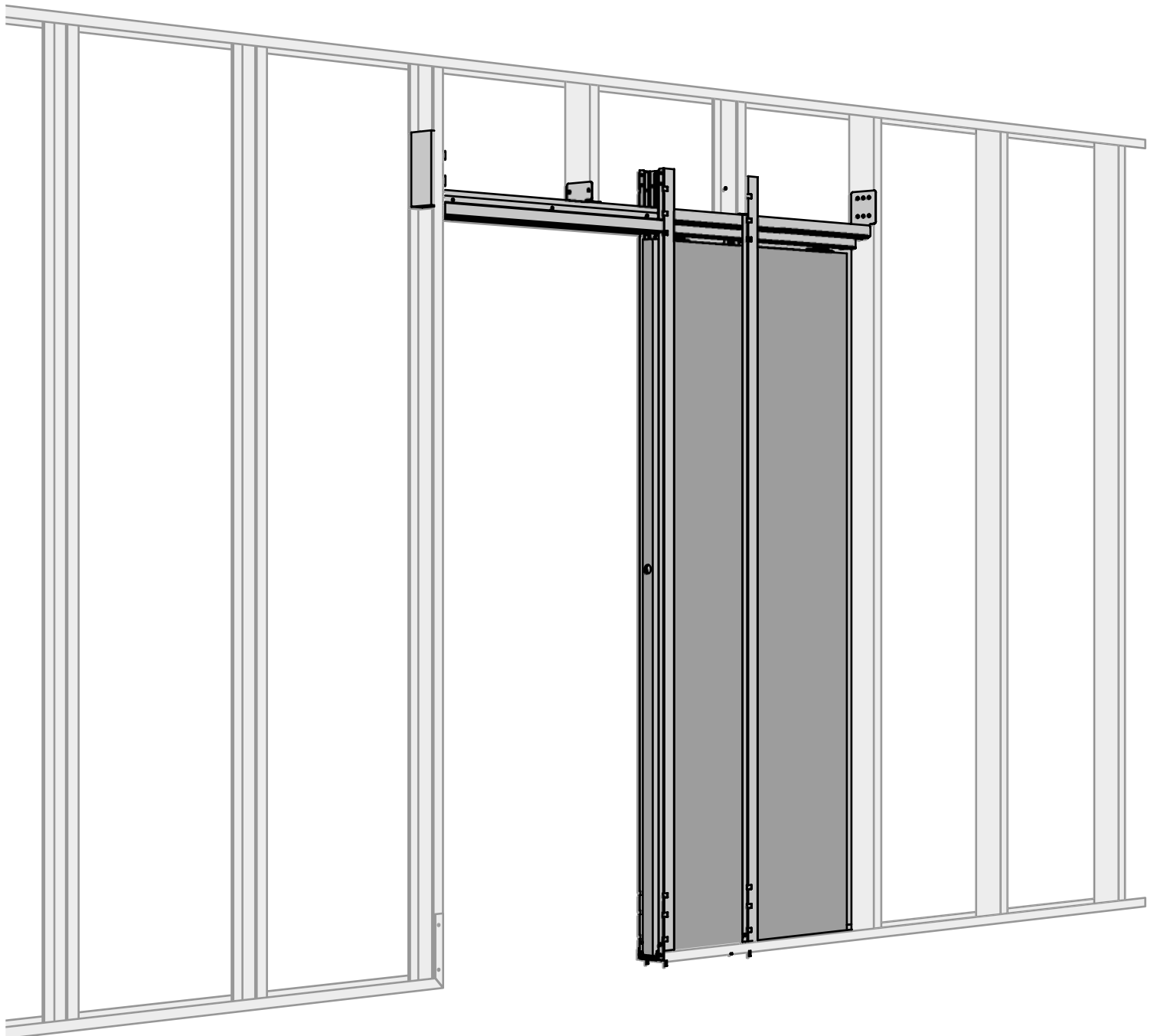
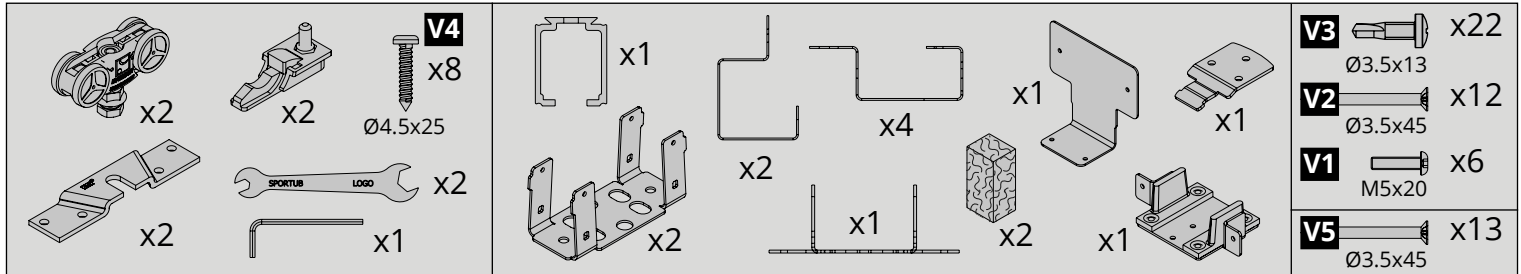
INSTRUCTION DE MONTAGE
MONTAGEANLEITUNG
INSTRUCTIONS FOR ASSEMBLY
INSTRUCCIONES DE MONTAJE
INSTRUKCJA MONTAŻU

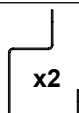
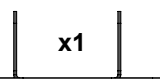


SLID'UP 2300

SU2300-1

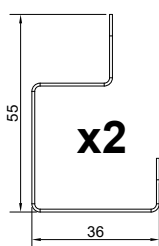
Epaisseur de porte / Door thickness: 25-40 mm

NE PAS JETER LES PANNEAUX / DO NOT THROW THE PANELS NICHT DIE PANELE WERFEN

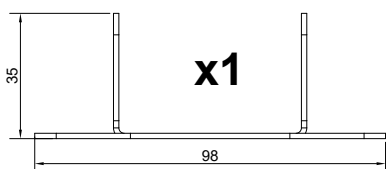


| | R | S | T | U |
|--------|--|--|--|---|
| |  x2 |  x1 |  x4 |  x1 |
| SU2301 | 740 mm | 1779 mm | 2240 mm | 1425 mm |
| SU2302 | 840 mm | 2029 mm | | 1675 mm |
| SU2304 | 870 mm | | | 1925 mm |
| SU2303 | 940 mm | 2279 mm | | |
| SU2305 | 995 mm | | | |

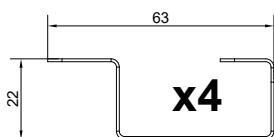
R



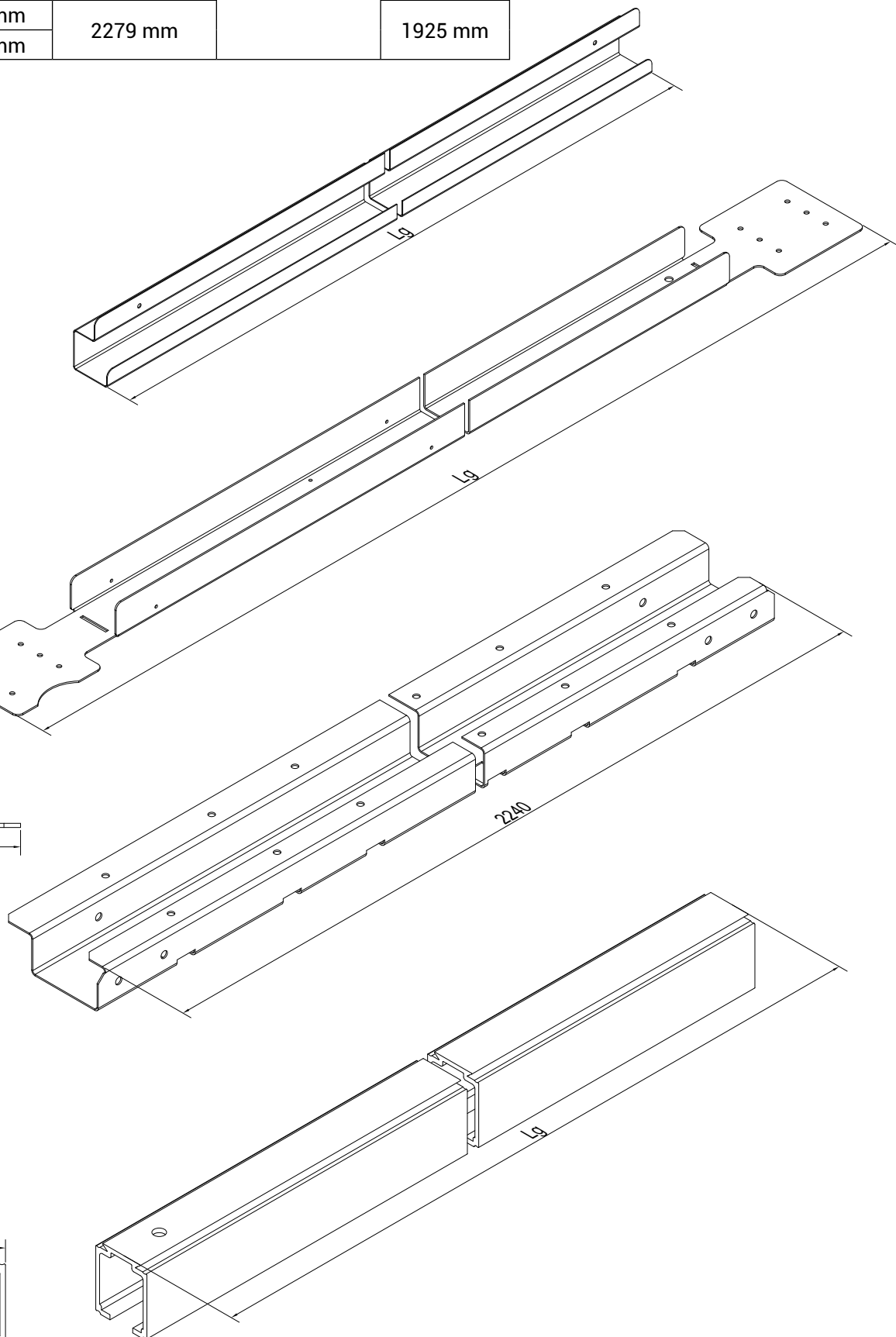
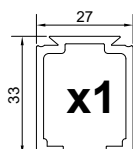
S

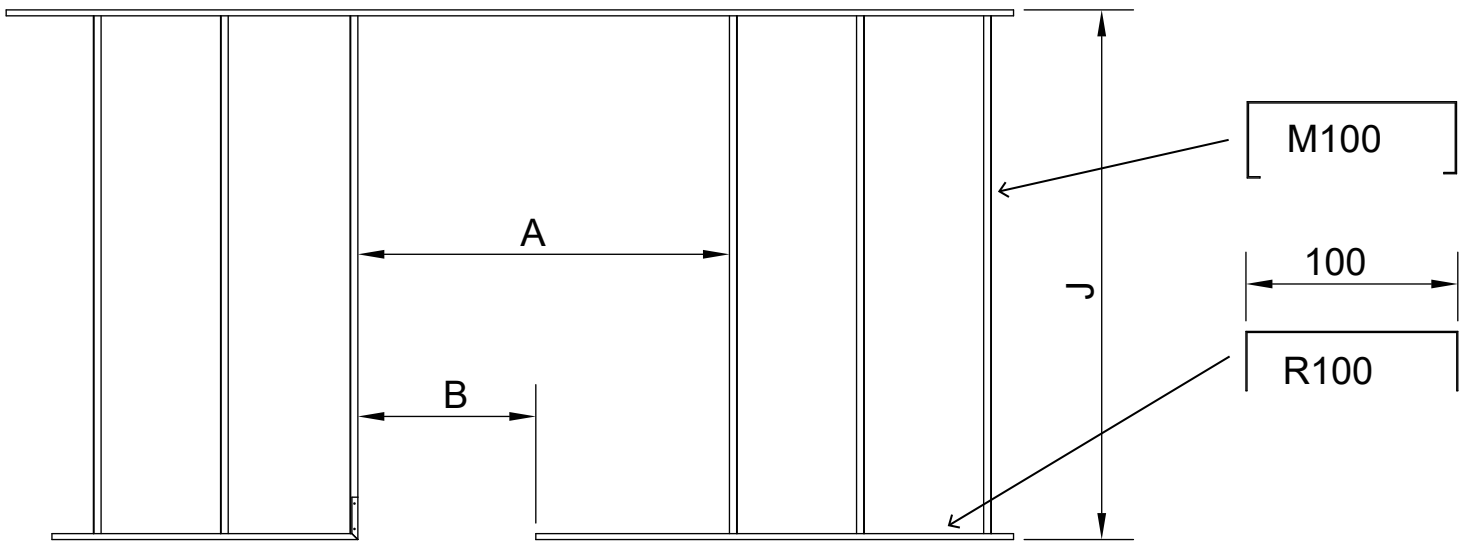


T

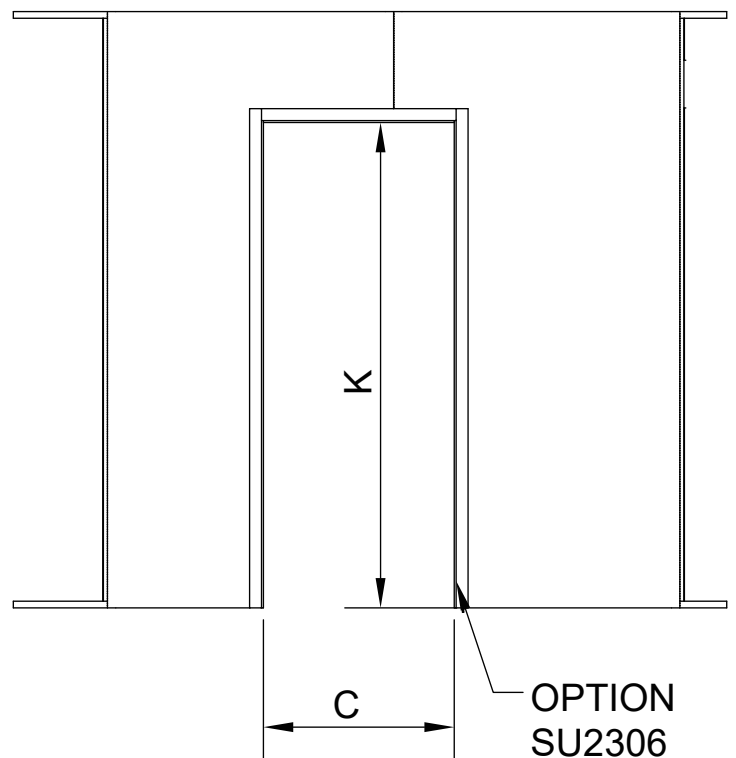
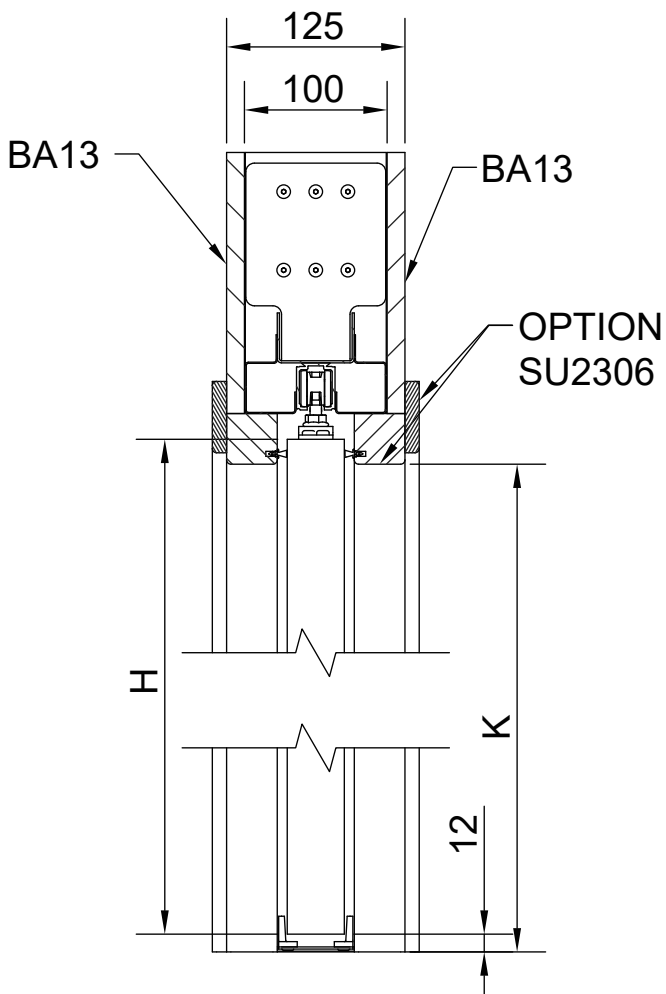
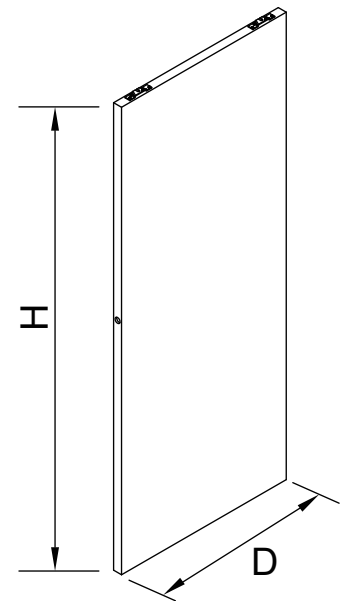


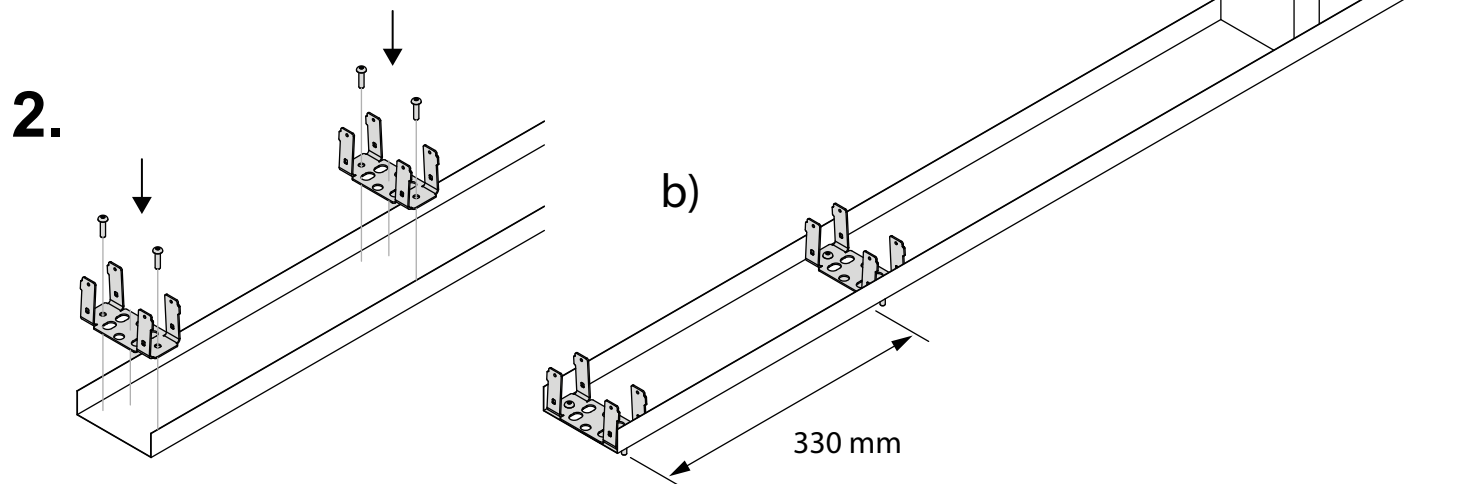
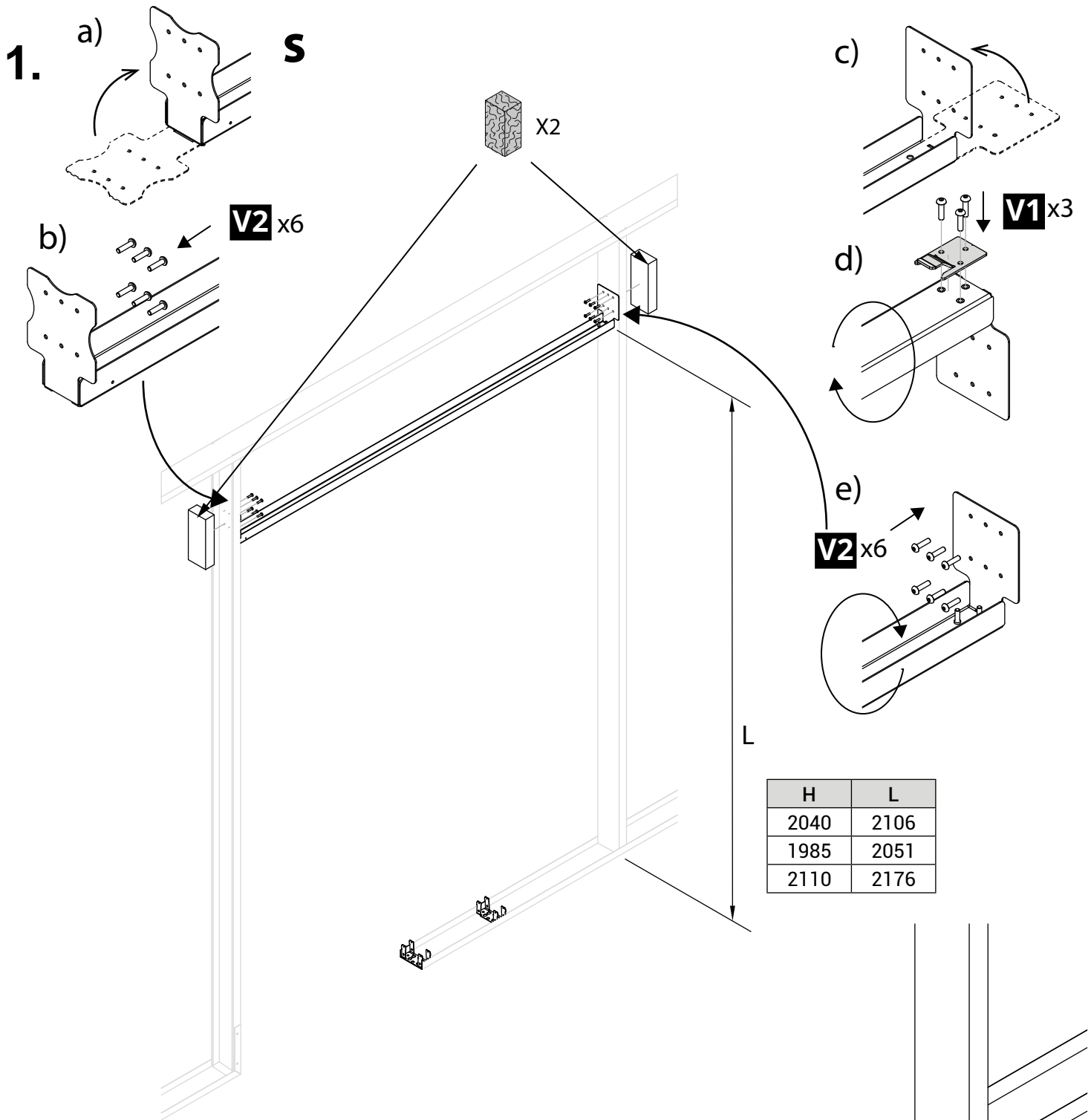
U

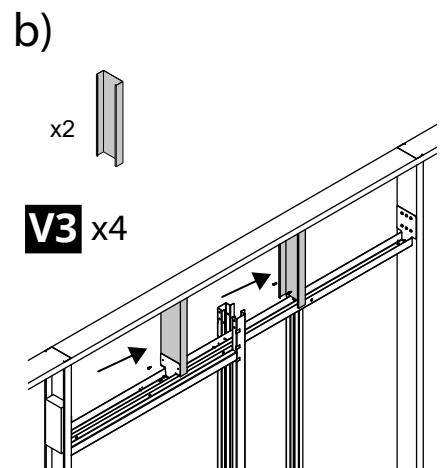
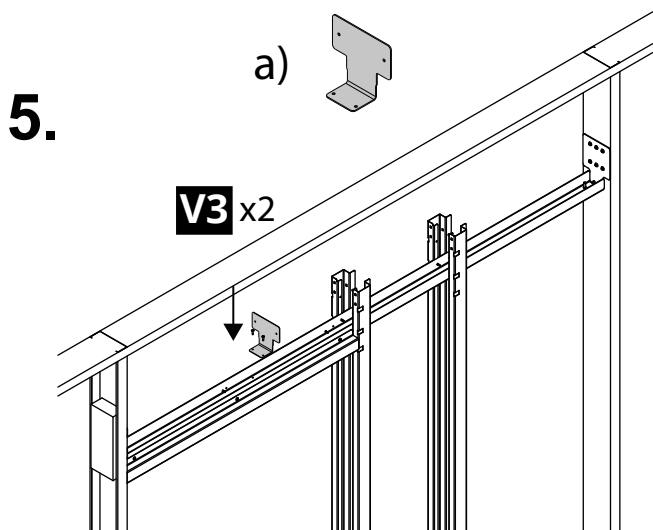
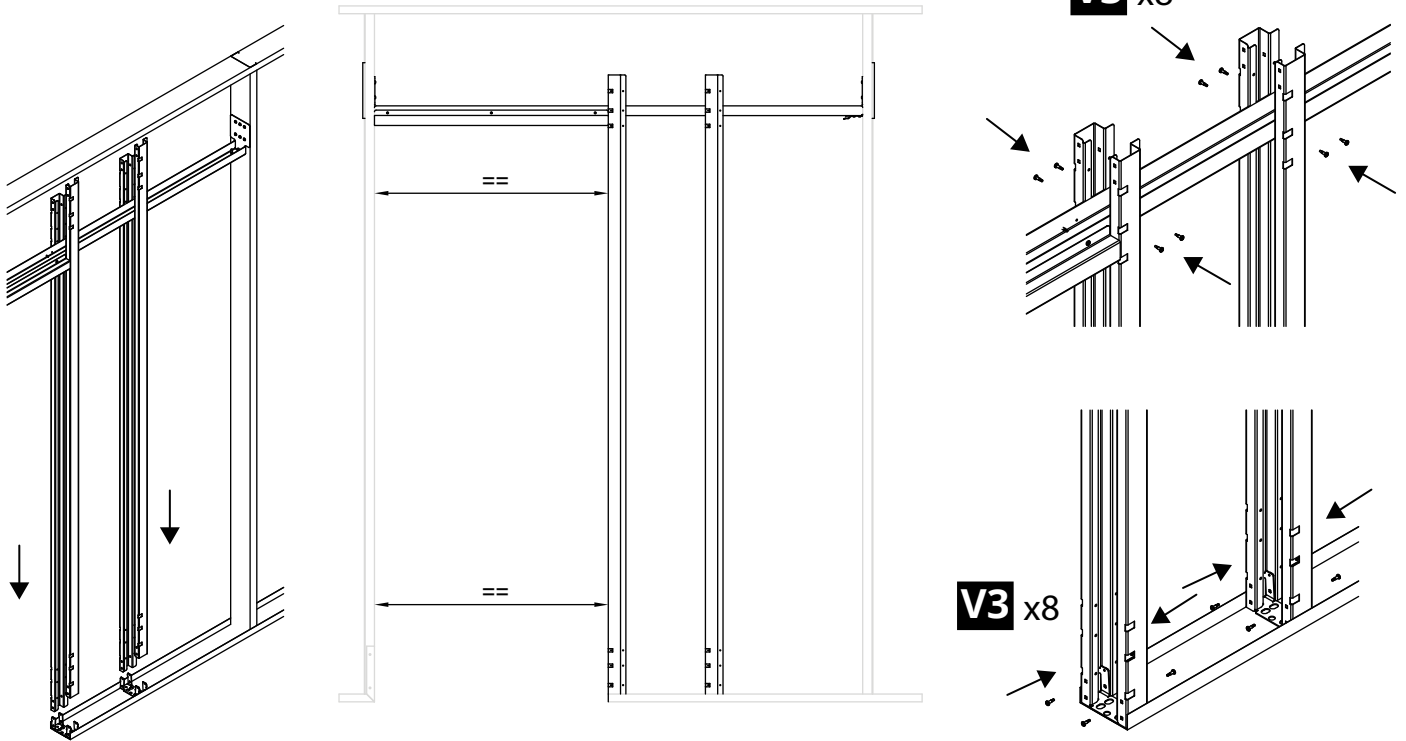
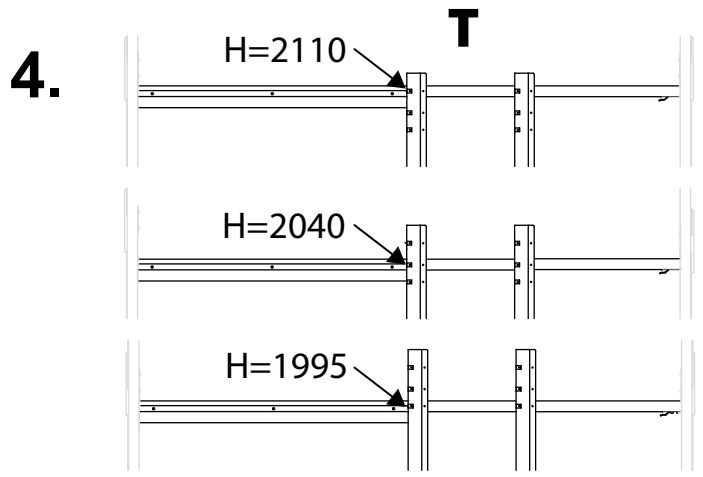
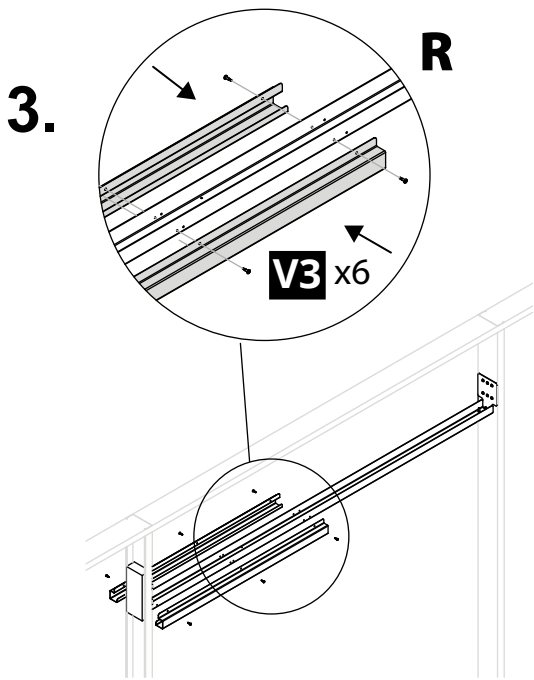




| mm | Porte / Door / Tür | | Cloison / Partition wall Trennwand | | | Passage / opening / Öffnung | |
|--------|--------------------|-------------|---------------------------------------|-----|-------------|-----------------------------------|-----------|
| | D | H | A | B | J | C | K |
| SU2301 | 730 | 2040 | 1506 | 740 | 2300 min | 700 | H-5 mm |
| | 735 | 1985 - 2110 | 1506 | 745 | | 705 | |
| SU2302 | 830 | 2040 | 1756 | 840 | | 800 | |
| SU2304 | 860 | 1985 - 2110 | 1756 | 870 | | 830 | |
| SU2303 | 930 | 2040 | 2006 | 940 | | 900 | |
| SU2305 | 985 | 1985 - 2110 | 2006 | 995 | | 955 | |



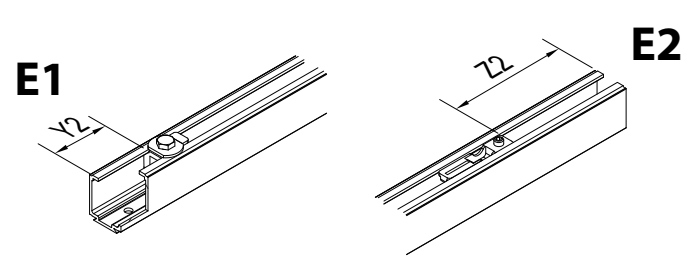
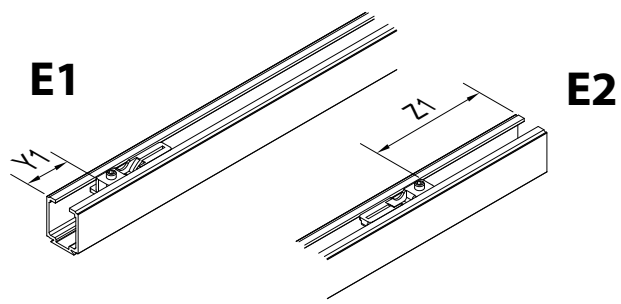
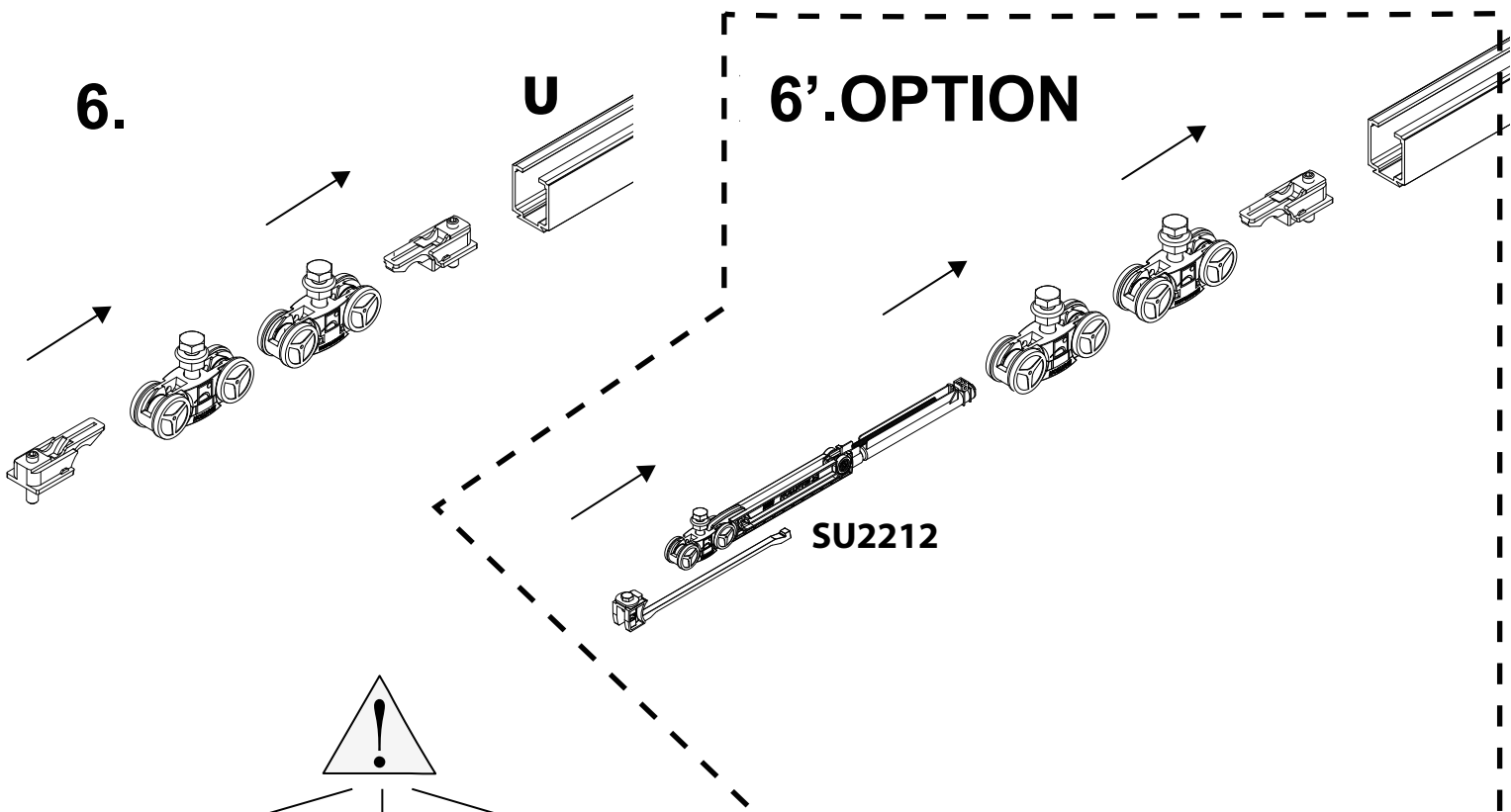




6.

U

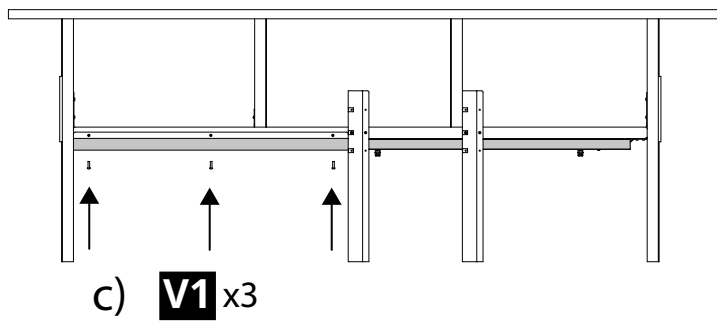
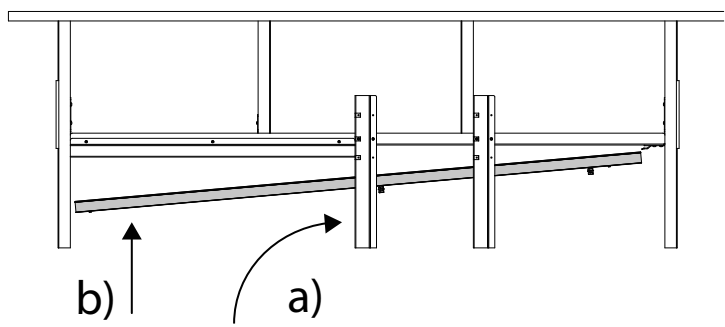
6'.OPTION



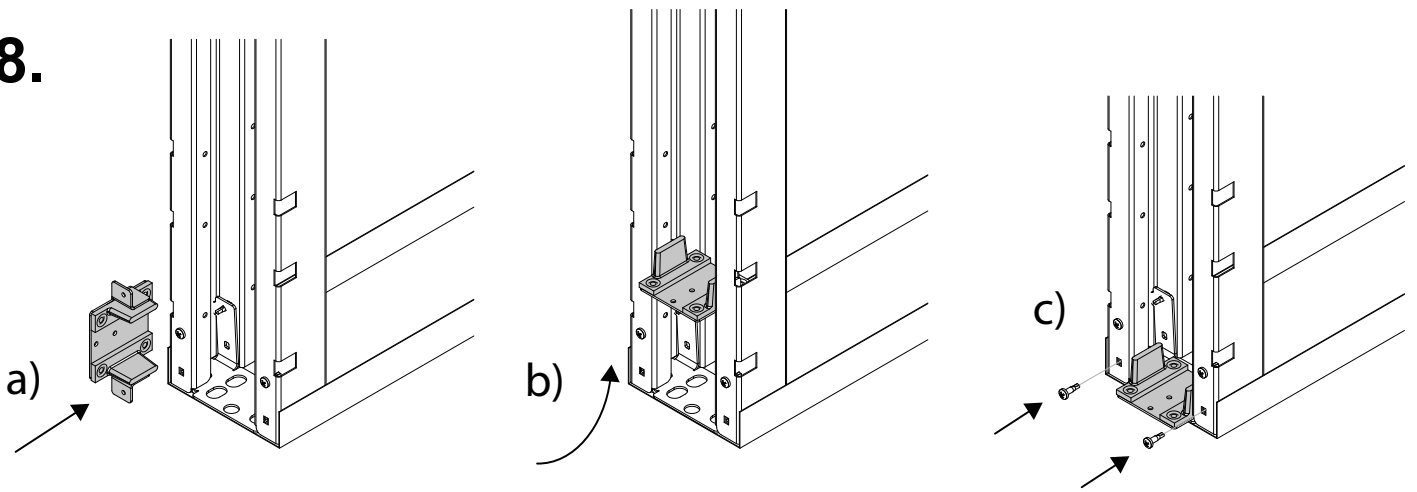
| L | Y1 | Z1 |
|-----|-------|-----|
| 730 | 34 mm | 38 |
| 735 | | 28 |
| 830 | | 88 |
| 860 | | 28 |
| 930 | | 138 |
| 985 | | 28 |

| L | Y2 | Z2 |
|-----|-------|-----|
| 730 | 43 mm | 38 |
| 735 | | 28 |
| 830 | | 88 |
| 860 | | 28 |
| 930 | | 138 |
| 985 | | 28 |

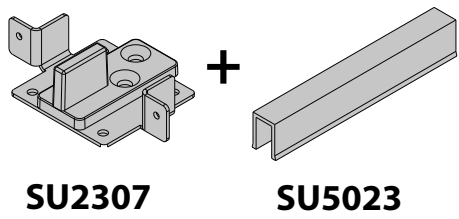
7.



8.

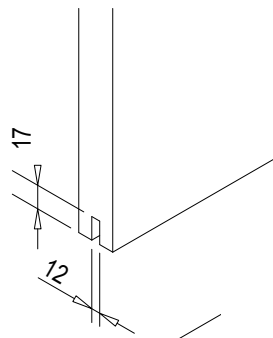


8'.OPTION

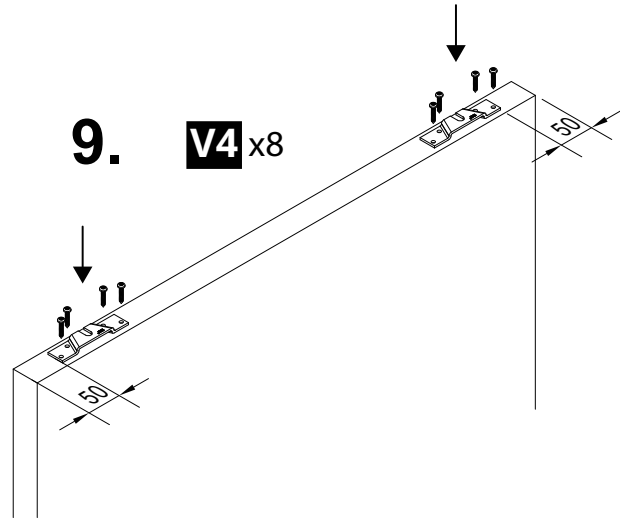


SU2307

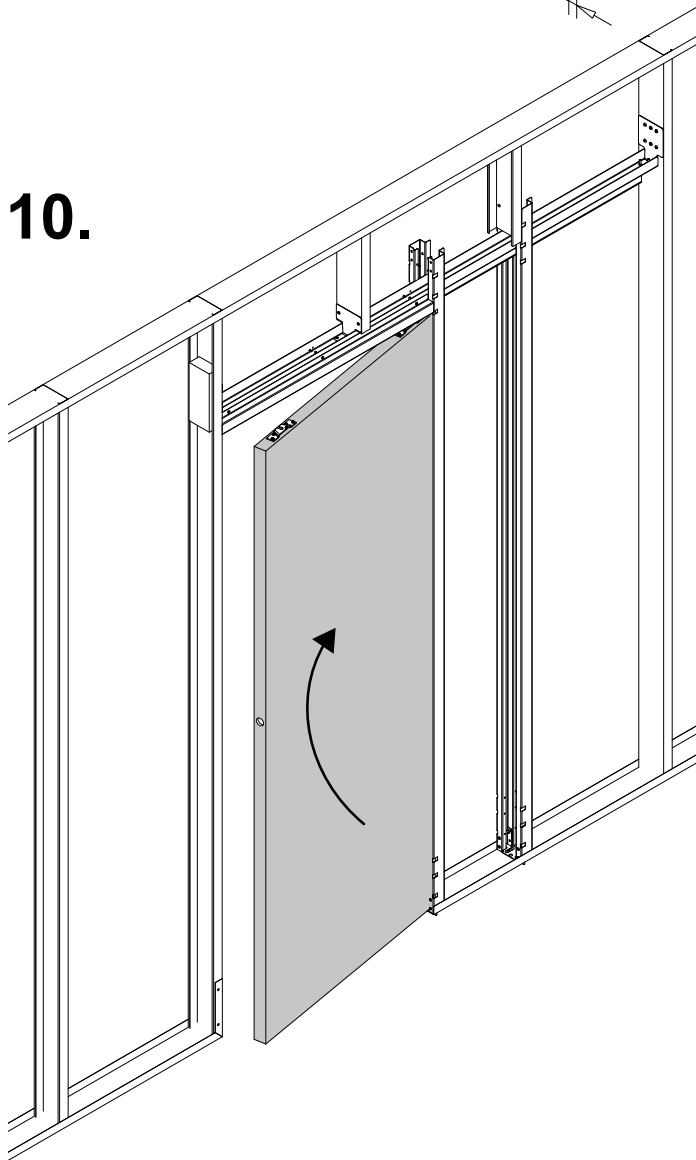
SU5023



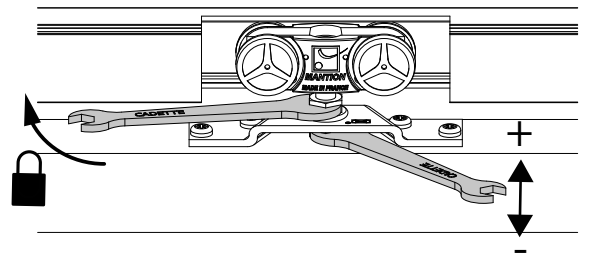
9. **V4**x8



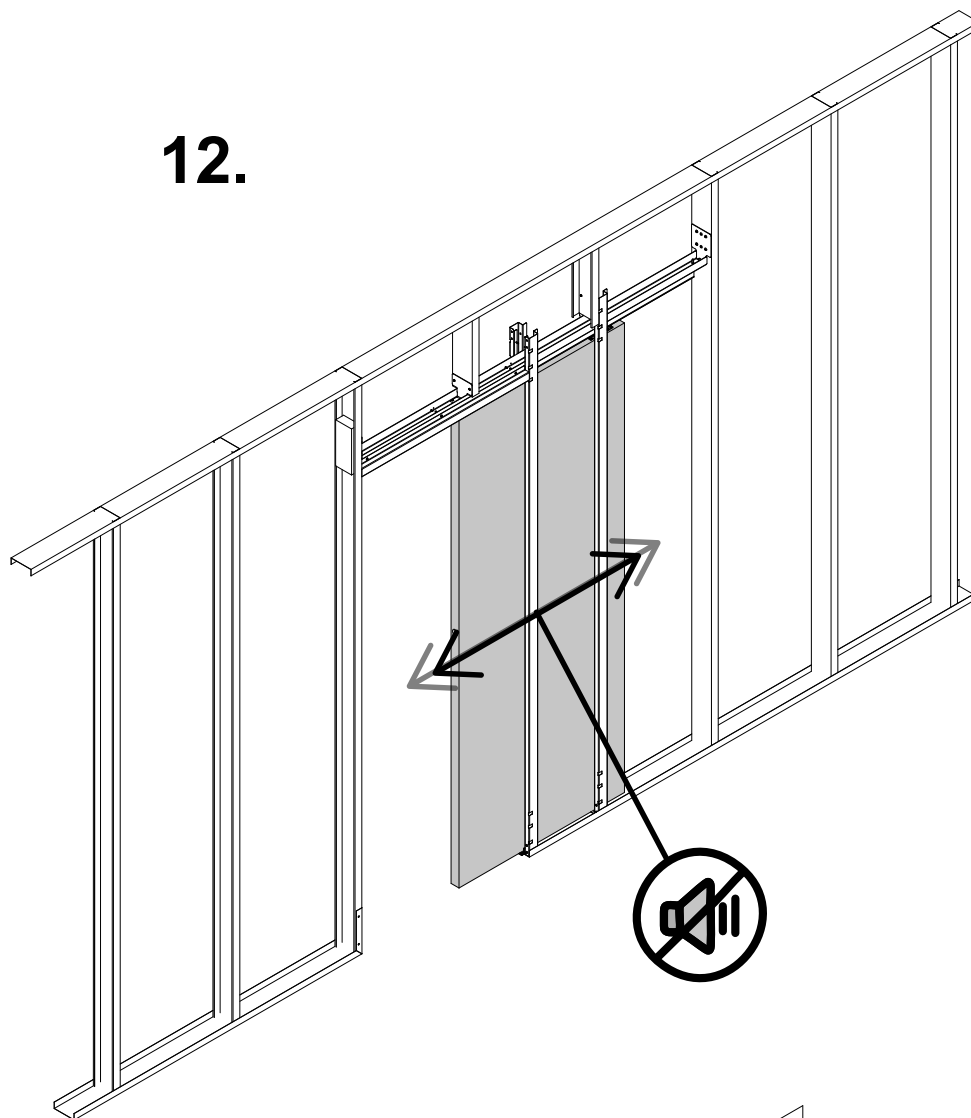
10.



11.



12.



13.

