

x1



x2



x2



x2



x2



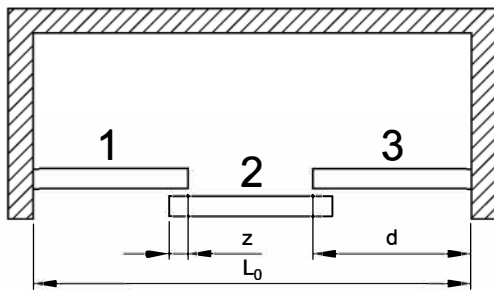
x1



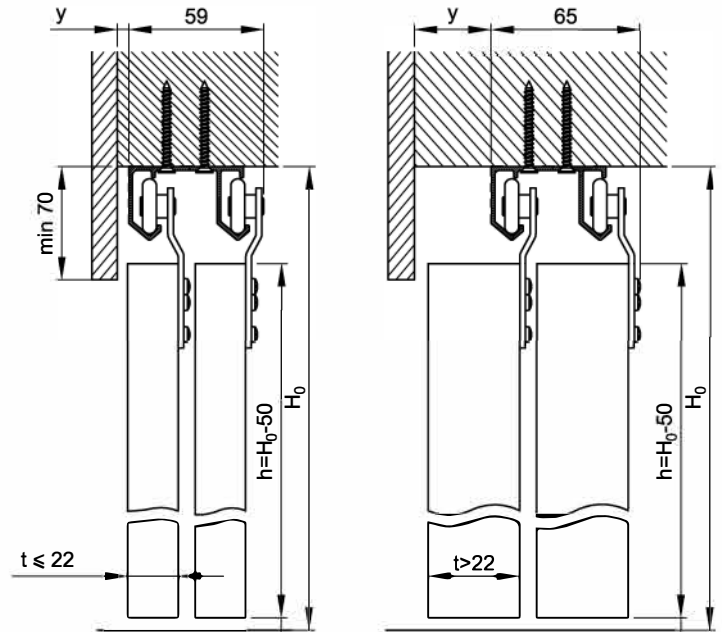
x2



45  
KG



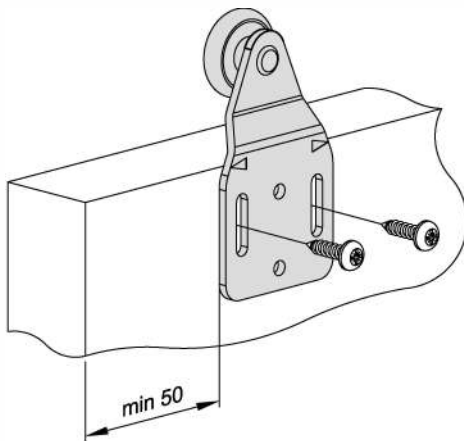
$$d = (L_0 + 2z) / 3$$



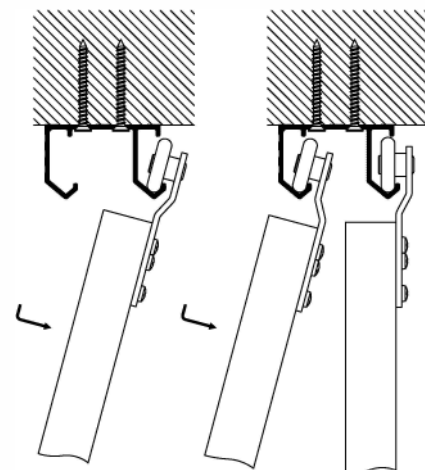
t [mm]	16,18	19	22	4-11
y [mm]	0	1	4	4-11

t [mm]	>22	4-11
y [mm]	t-9	4-11

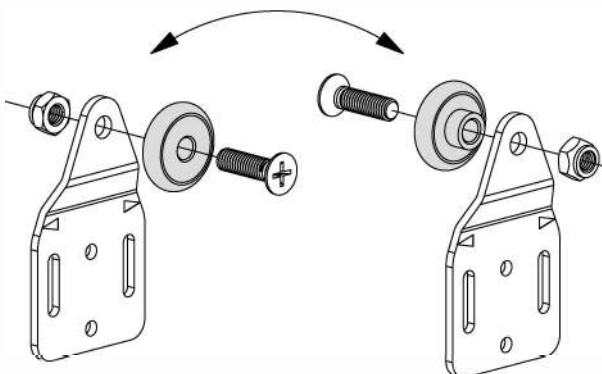
**1**



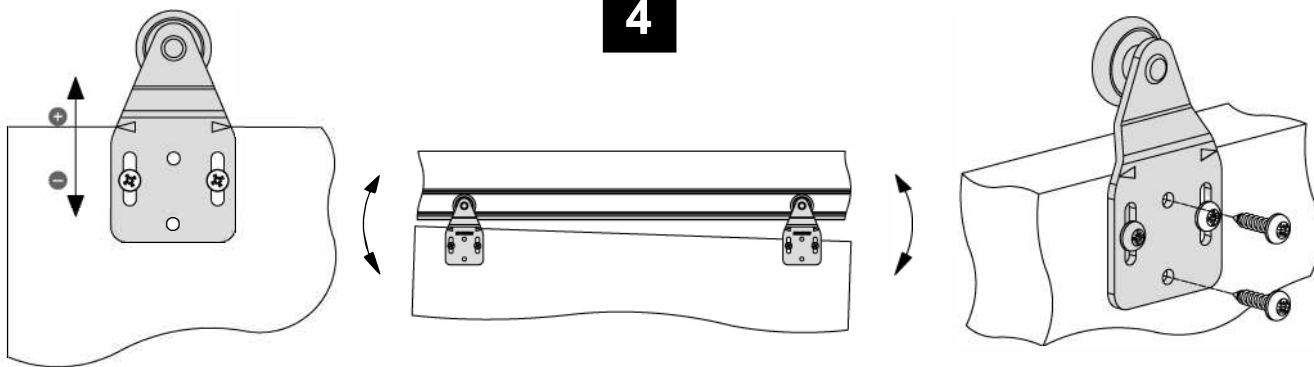
**2**



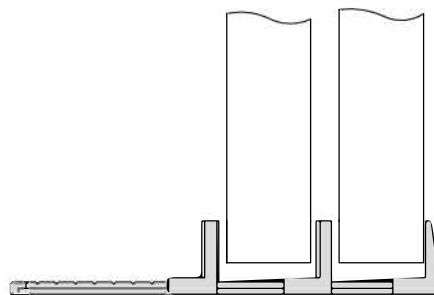
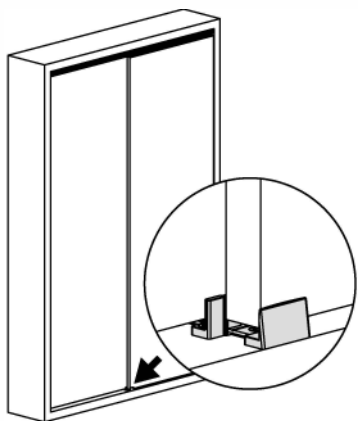
**3**



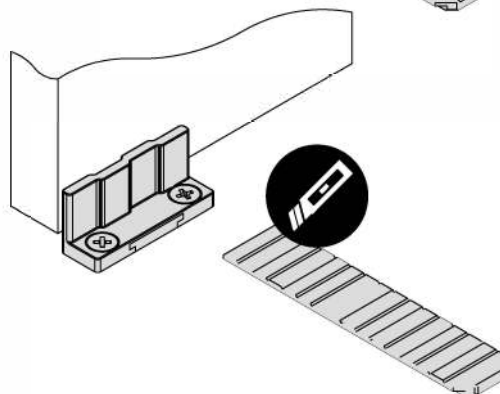
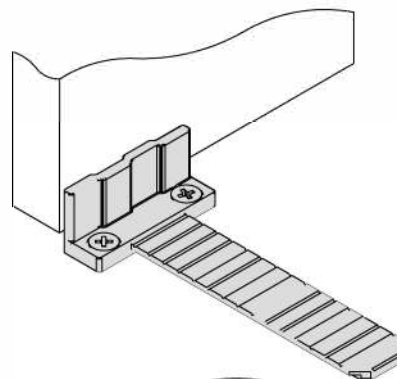
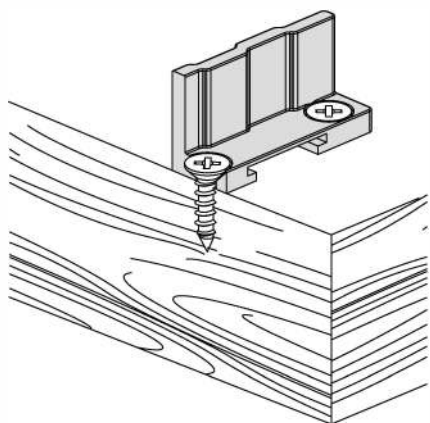
4



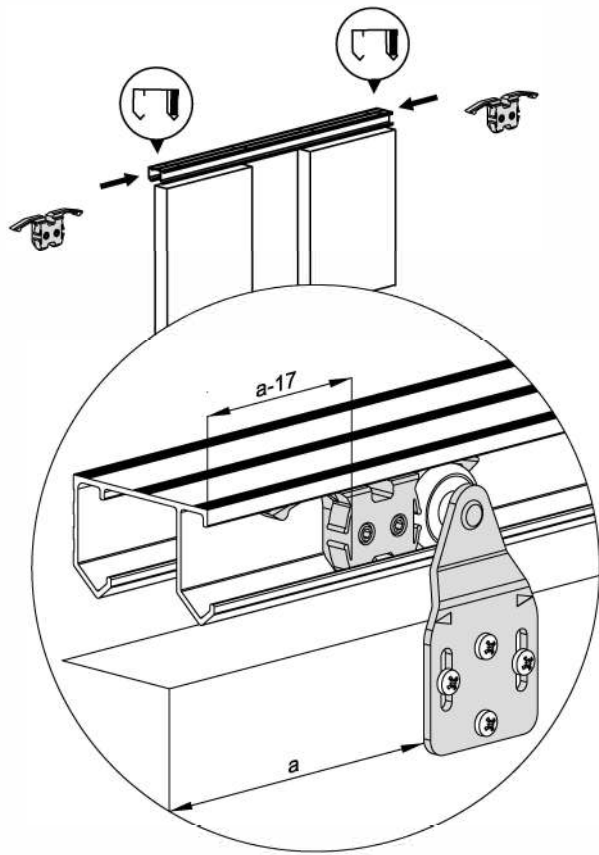
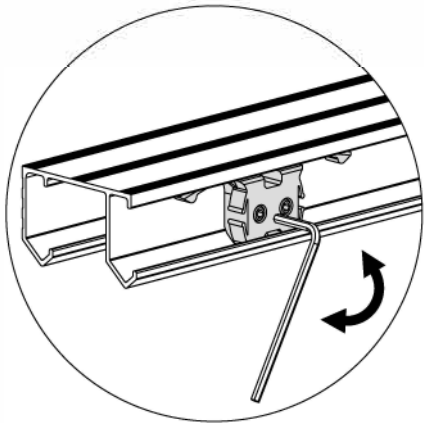
5



6



7



8

