



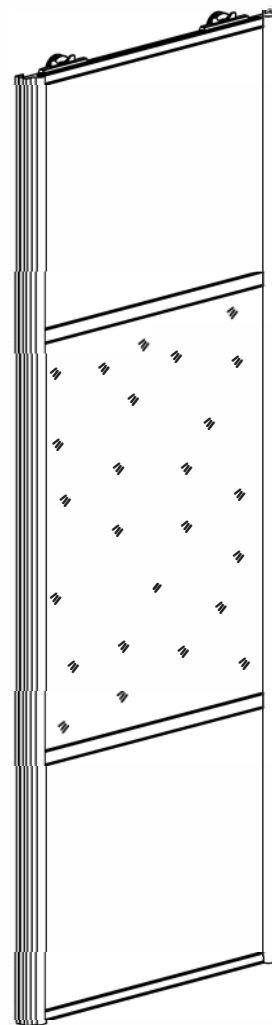
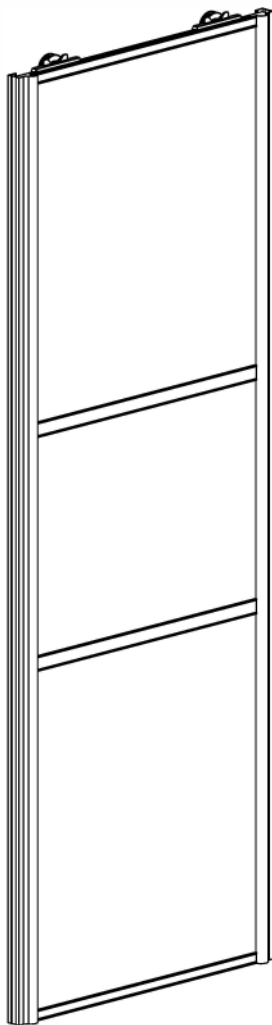
x1



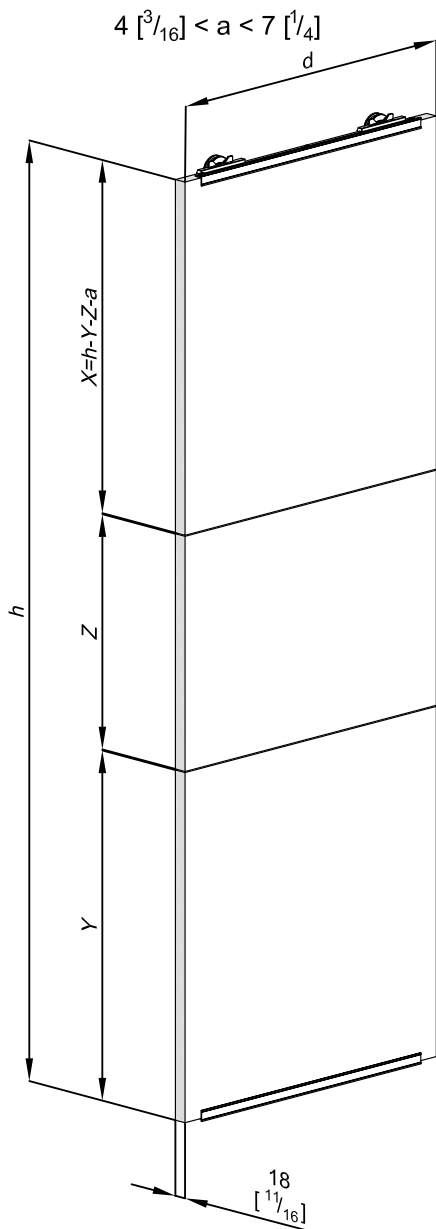
x16



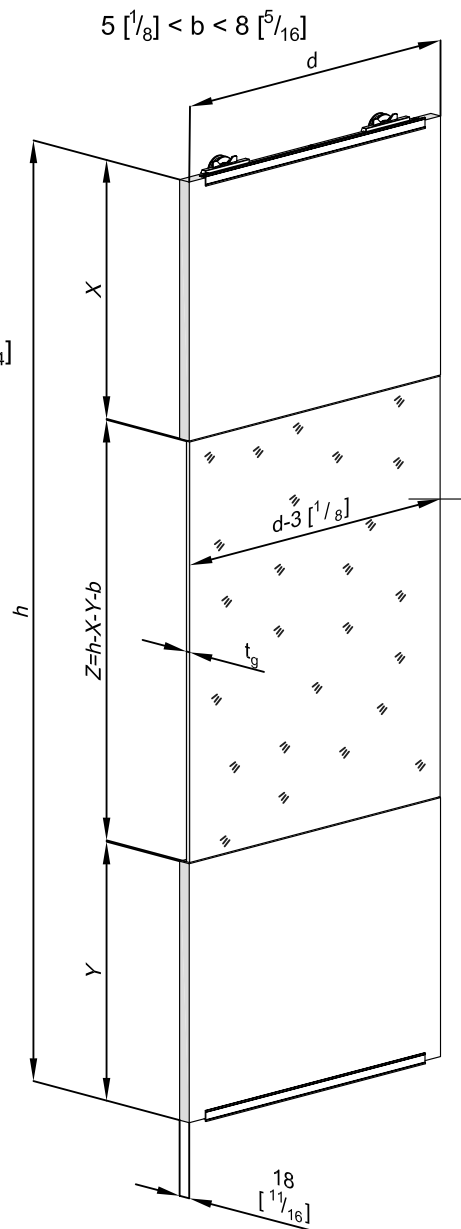
x2



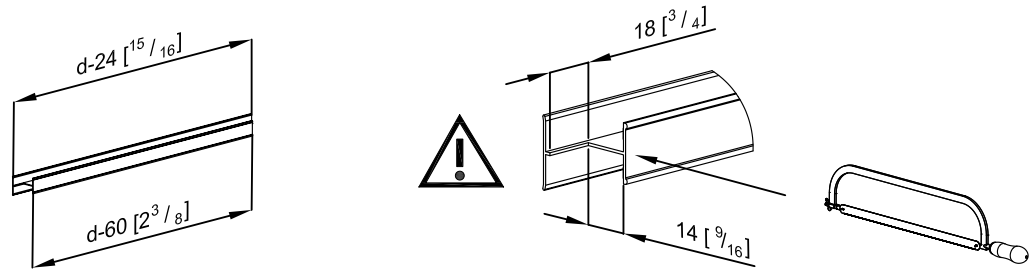
**a**



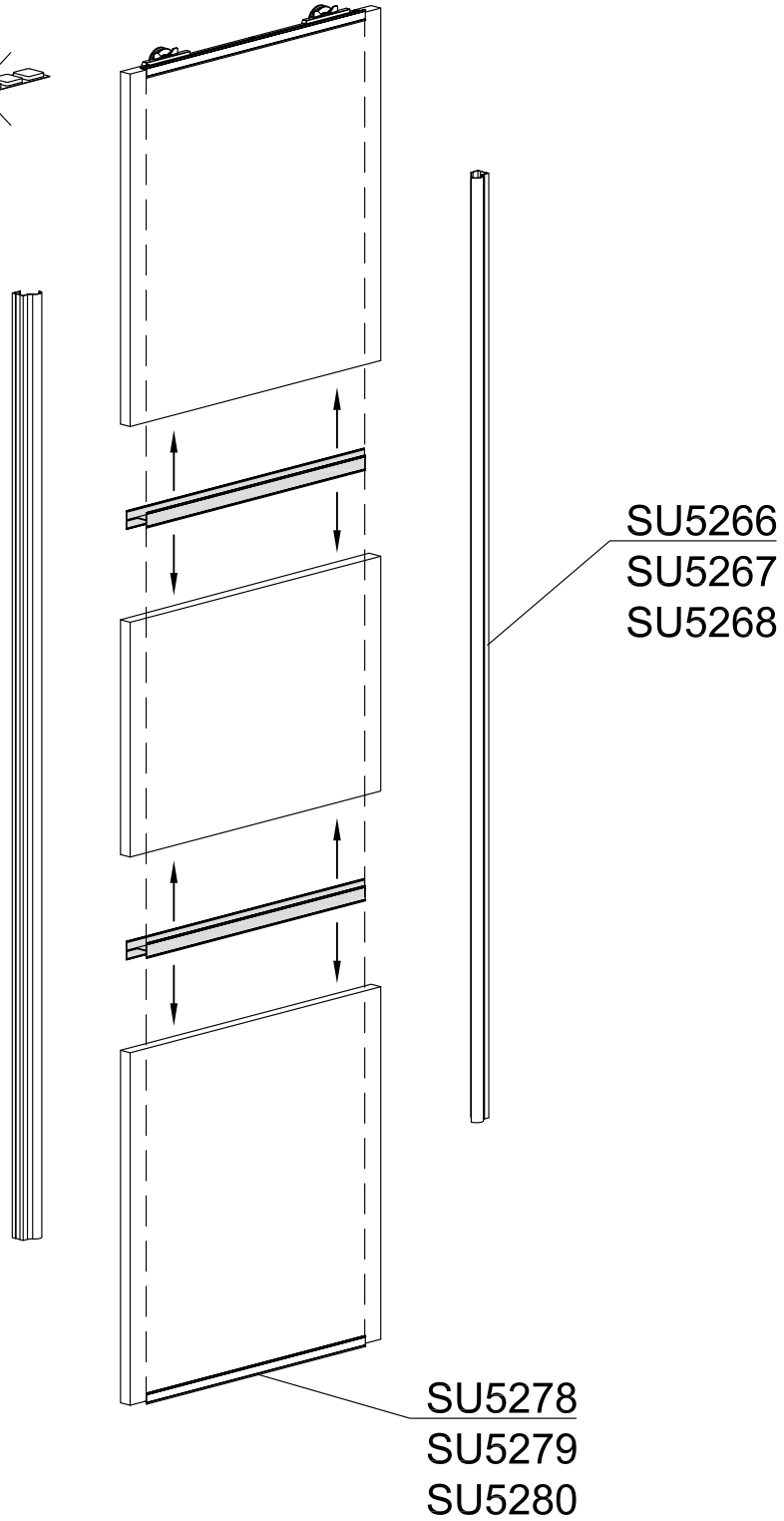
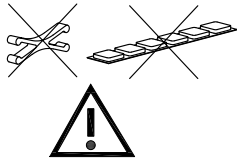
**b**



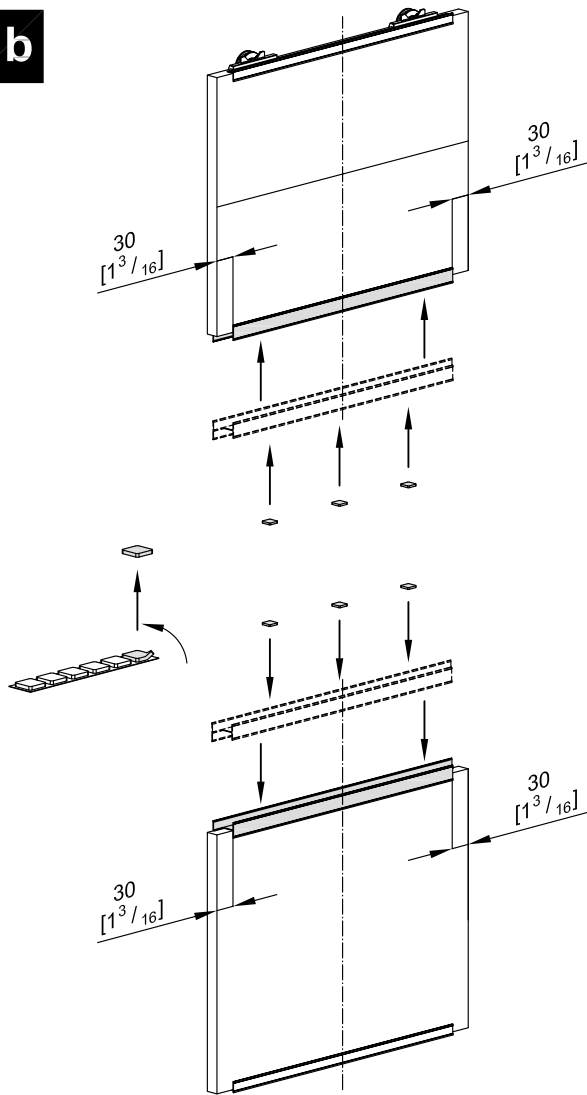
$X, Y > 200$  [8]  
 $4 [\frac{3}{16}] < t_g < 6 [\frac{1}{4}]$



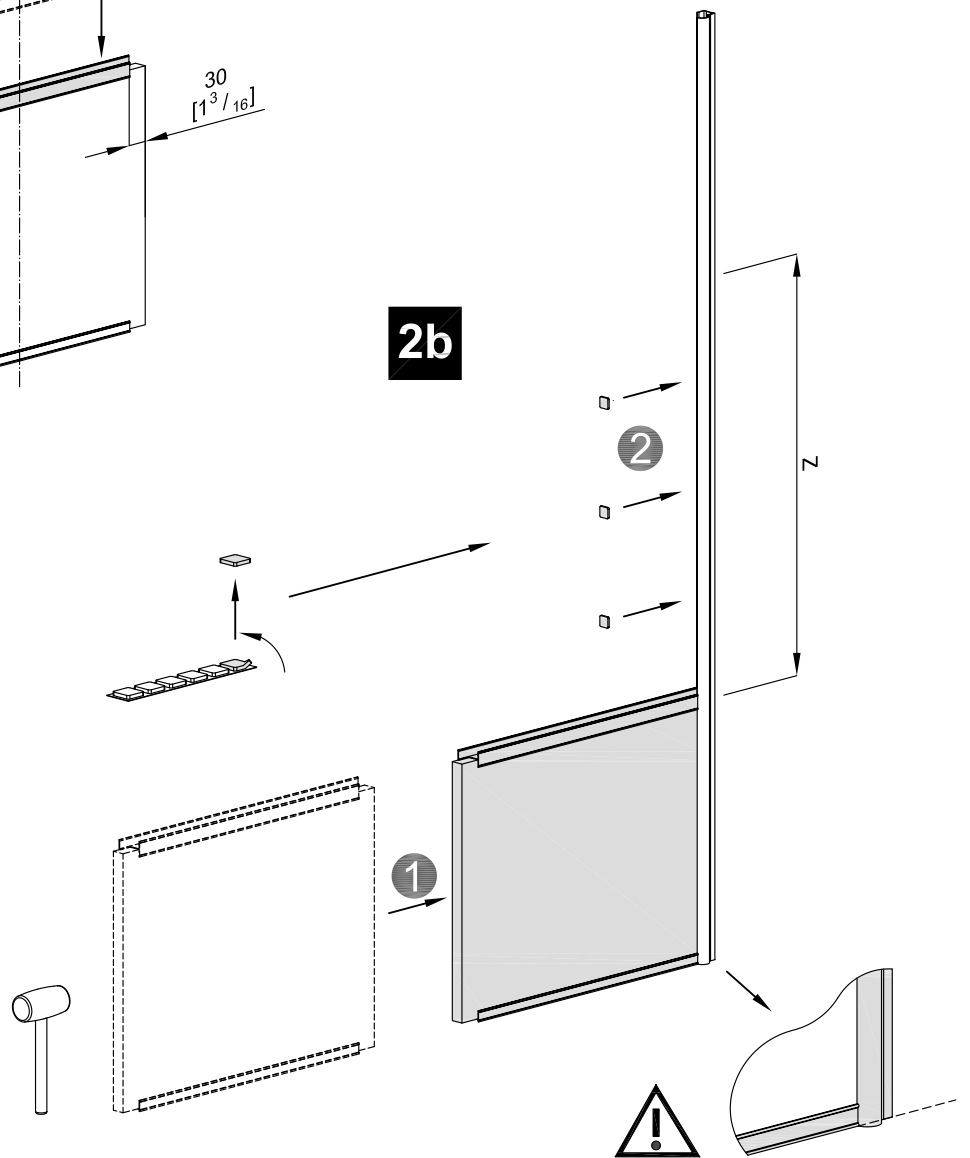
**1a**



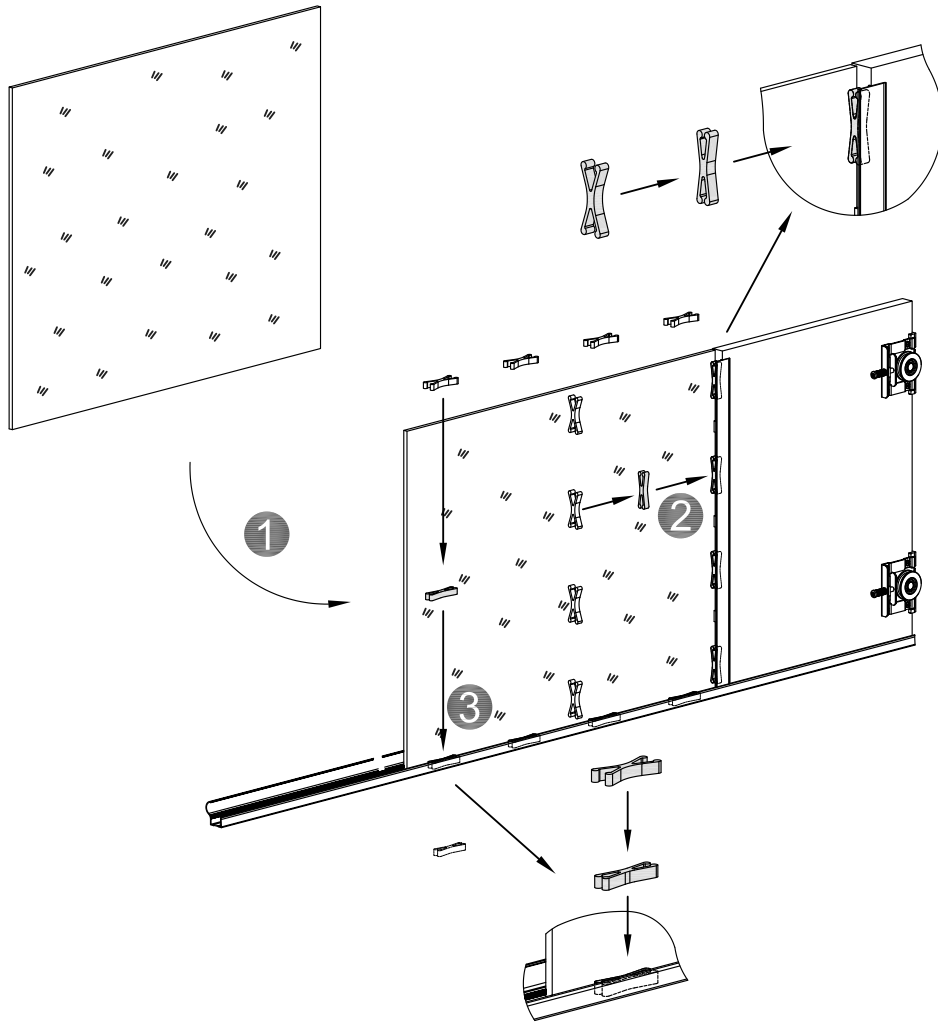
**1b**



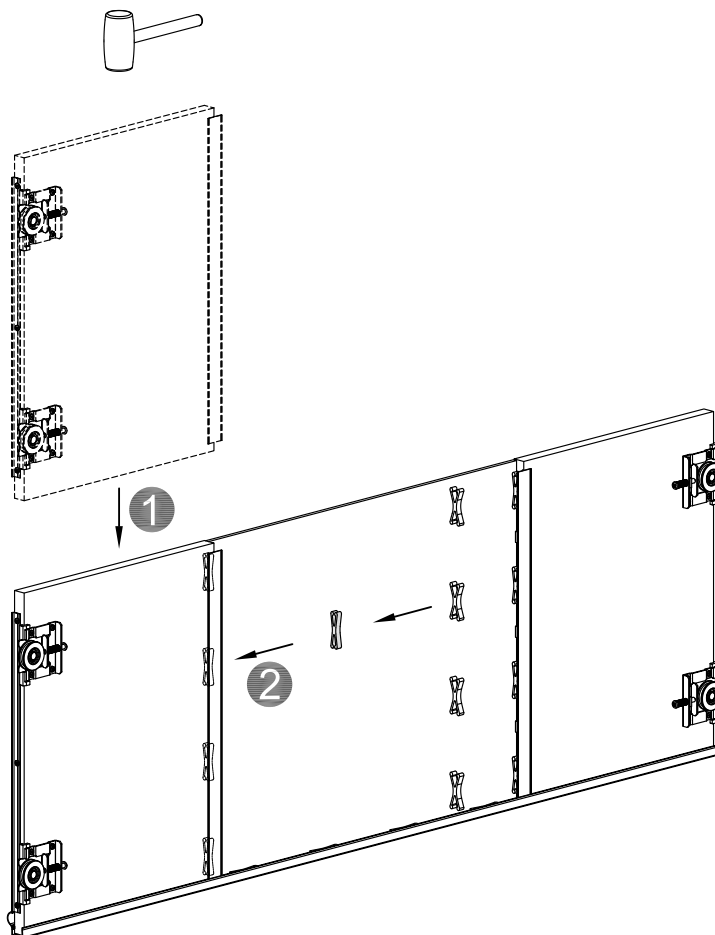
**2b**



**3b**



**4b**



5b

