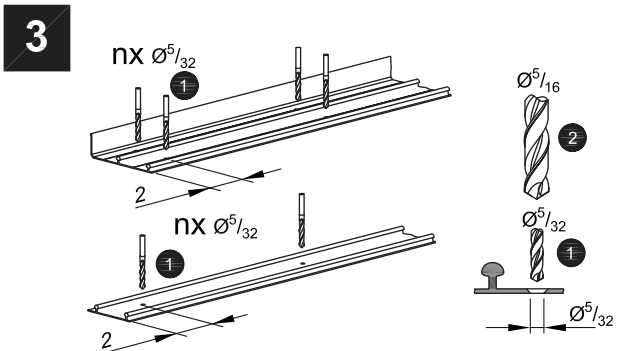
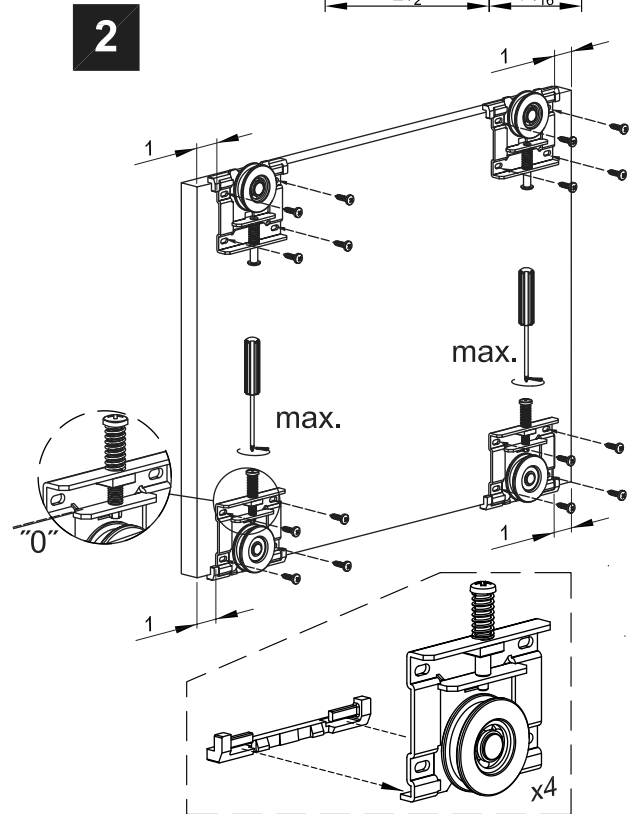
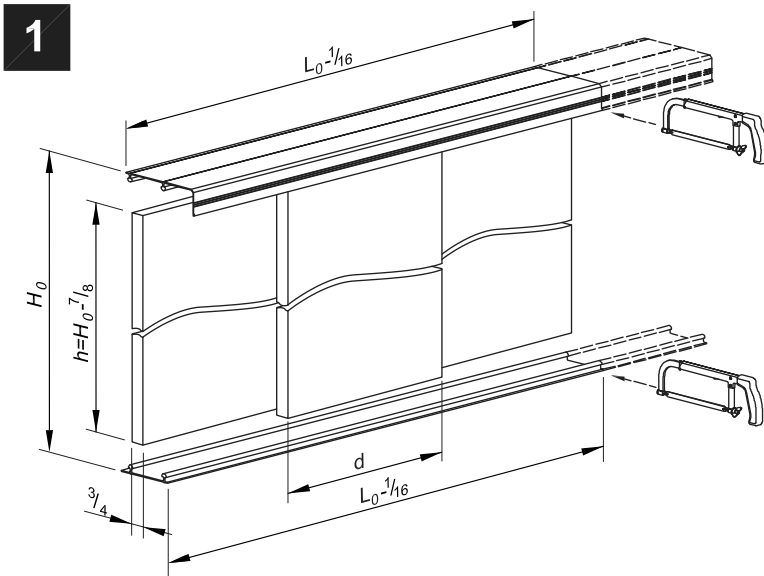
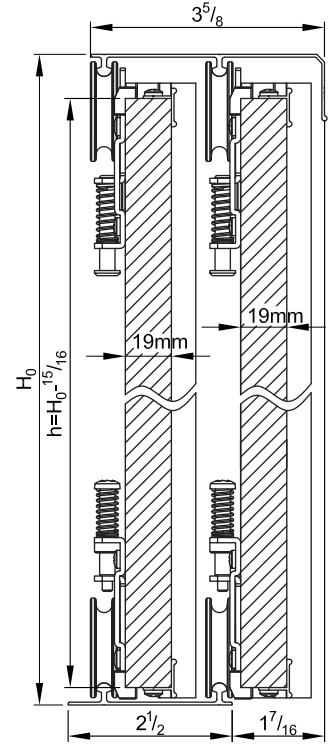
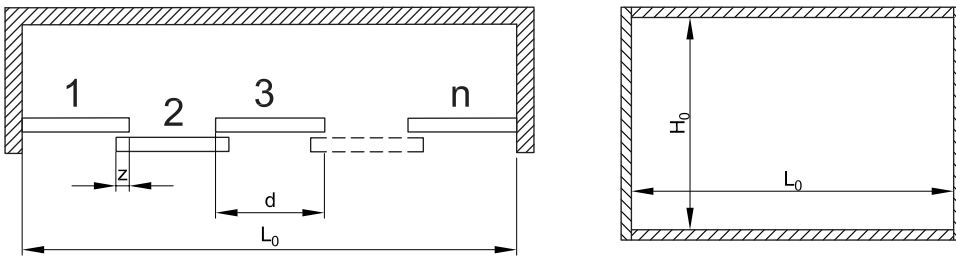
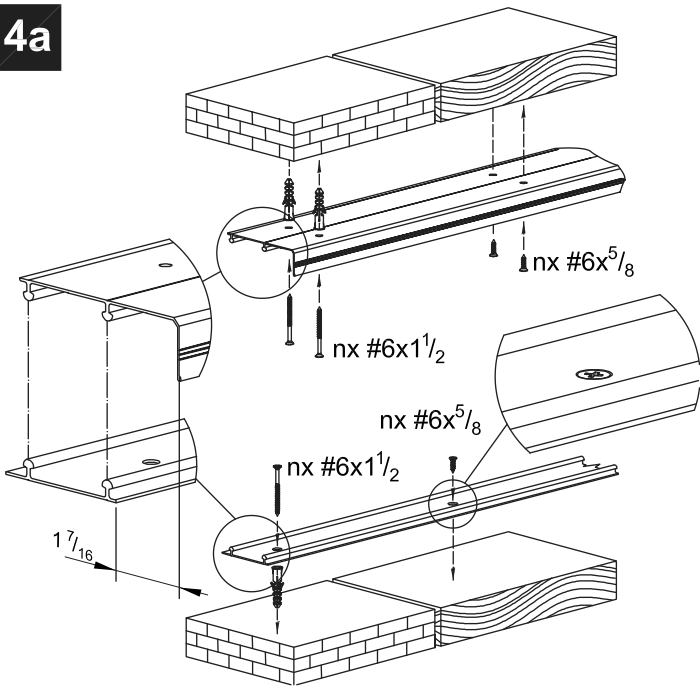


$$d = \frac{L_0 + (n-1) \cdot z}{n} \quad z = 1\frac{9}{16}$$

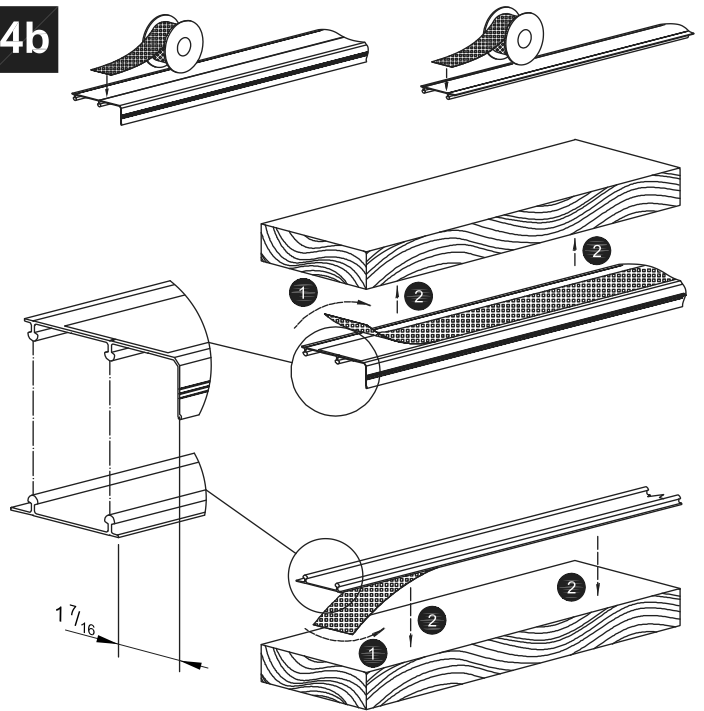


L ₀	47	59	70	78	95	106
n	3	3	4	4	4	5

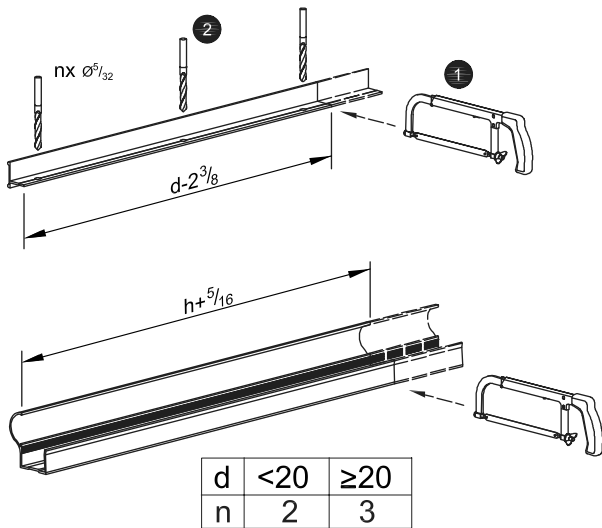
4a



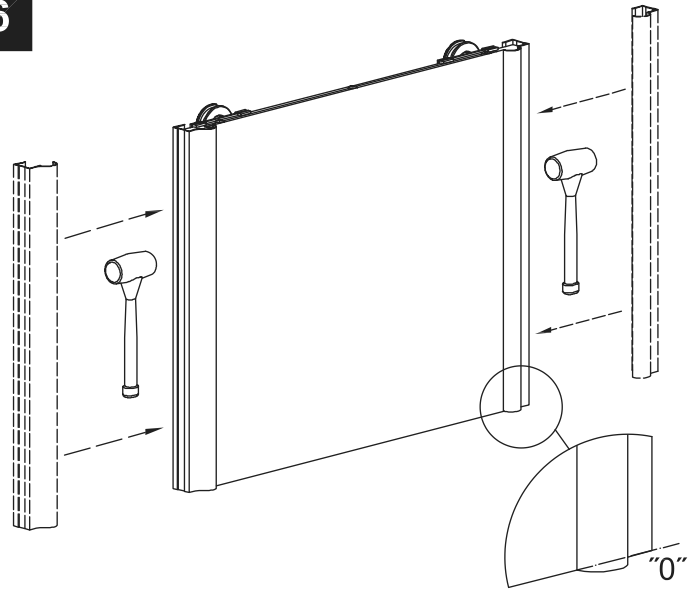
4b



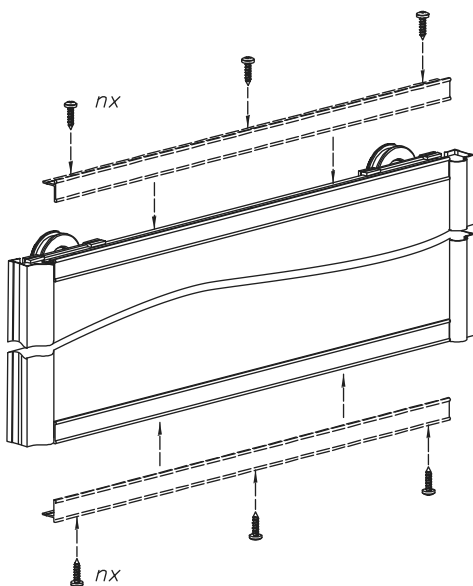
5



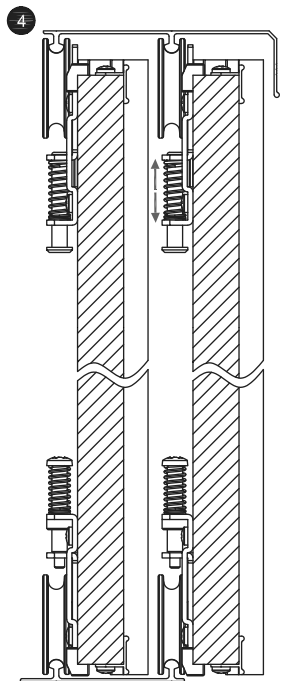
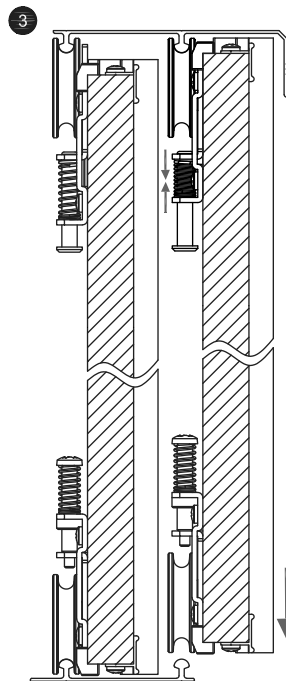
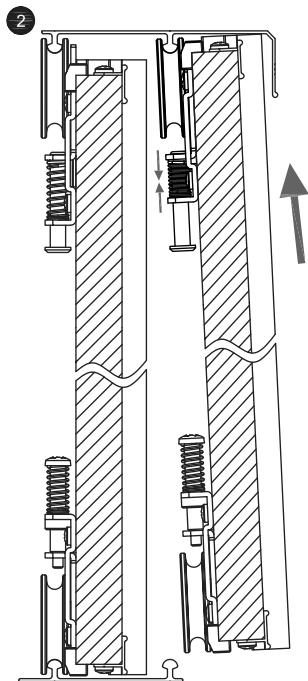
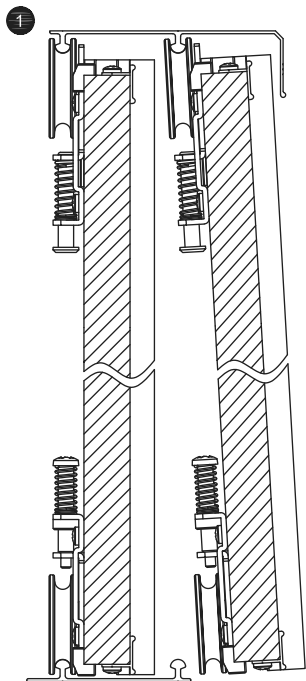
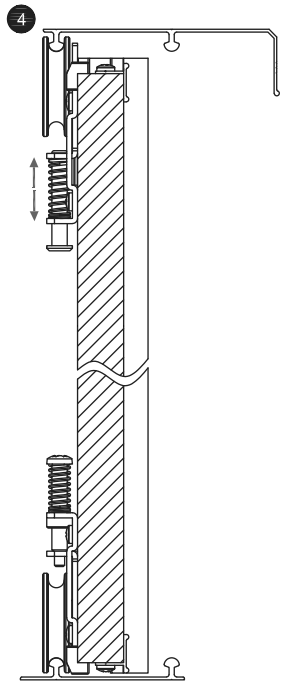
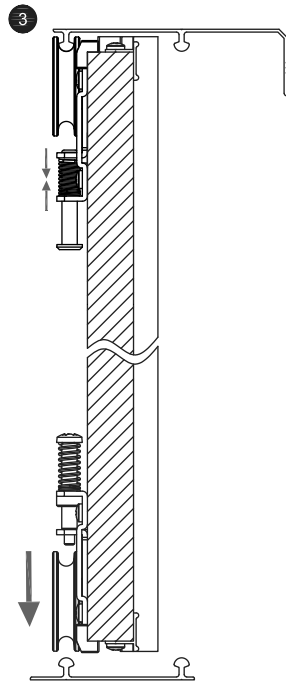
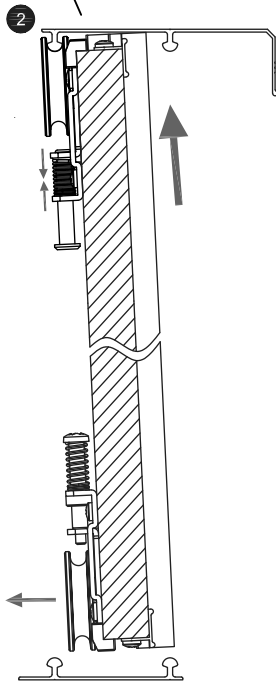
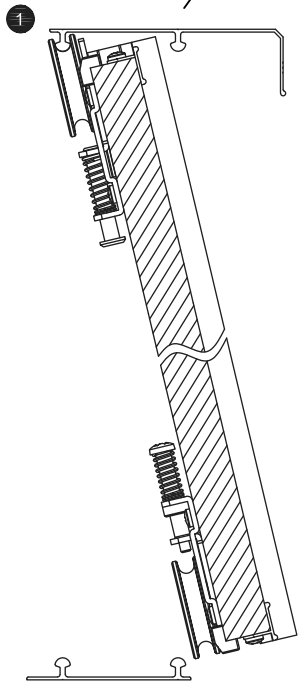
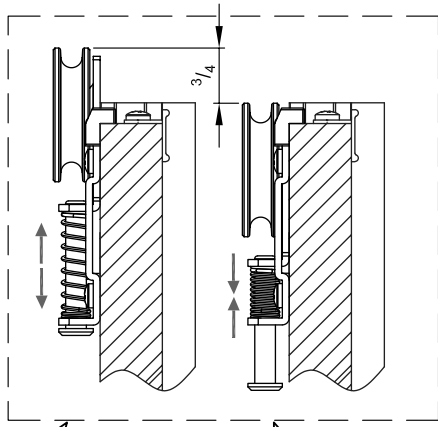
6



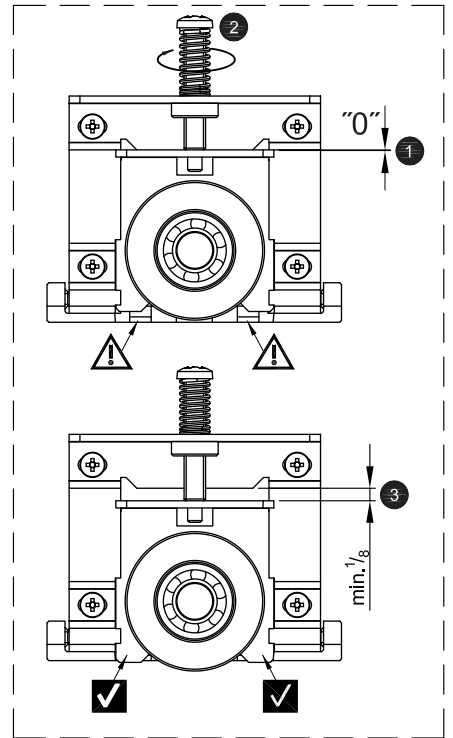
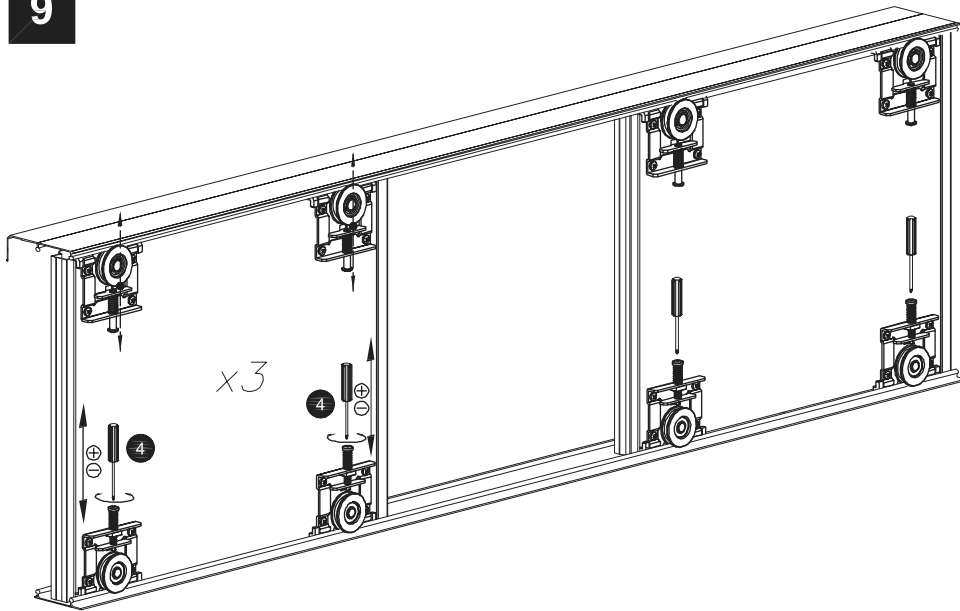
7



8



9



10

