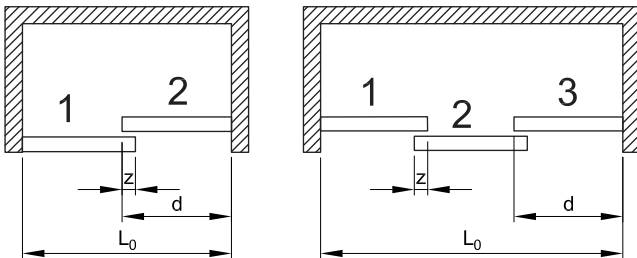
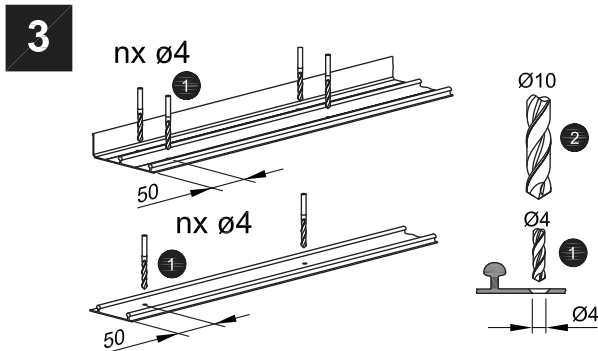
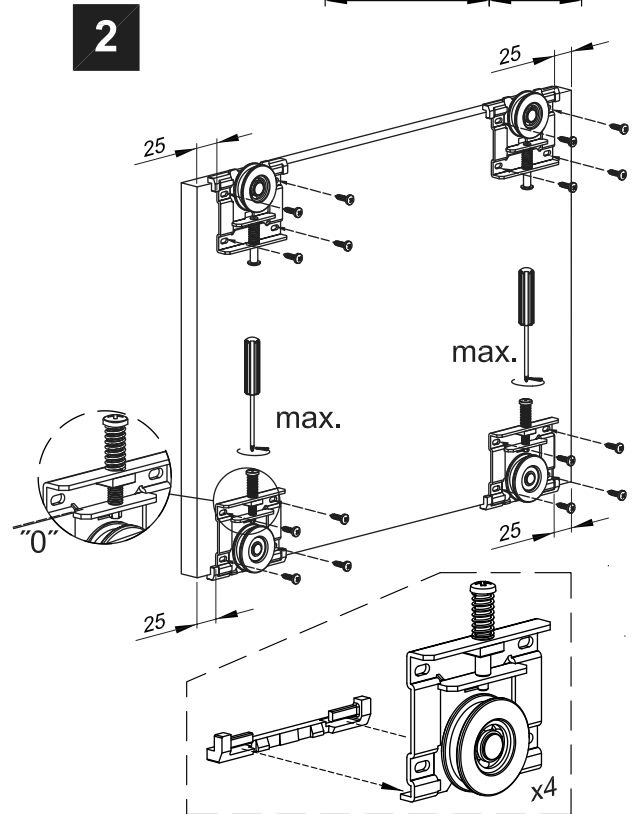
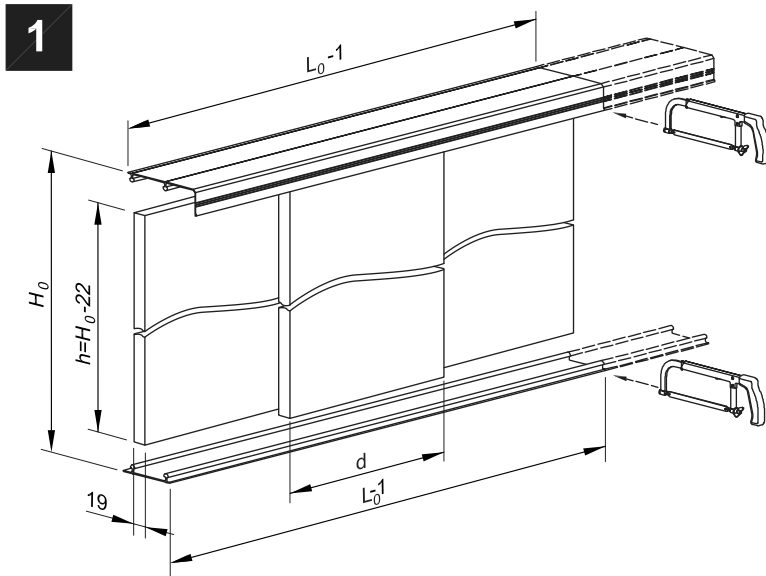
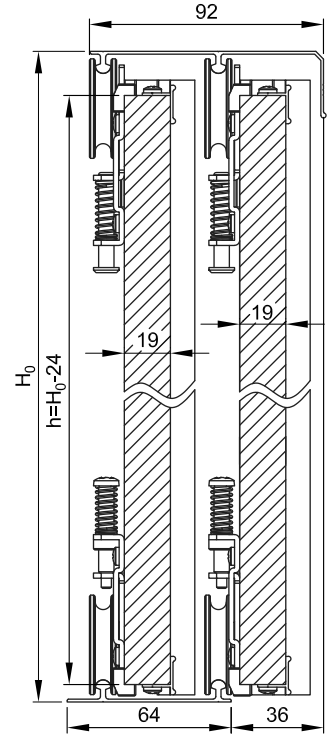
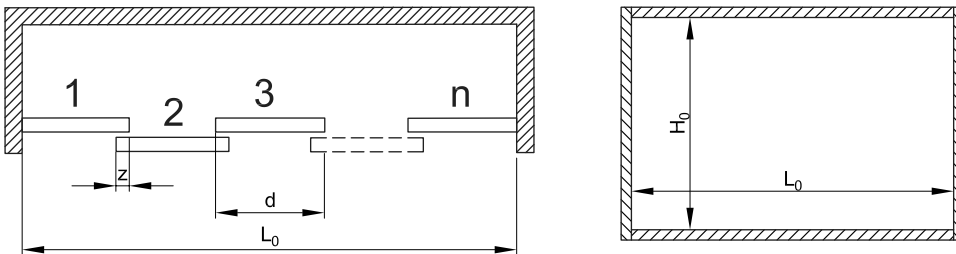


70  
KG

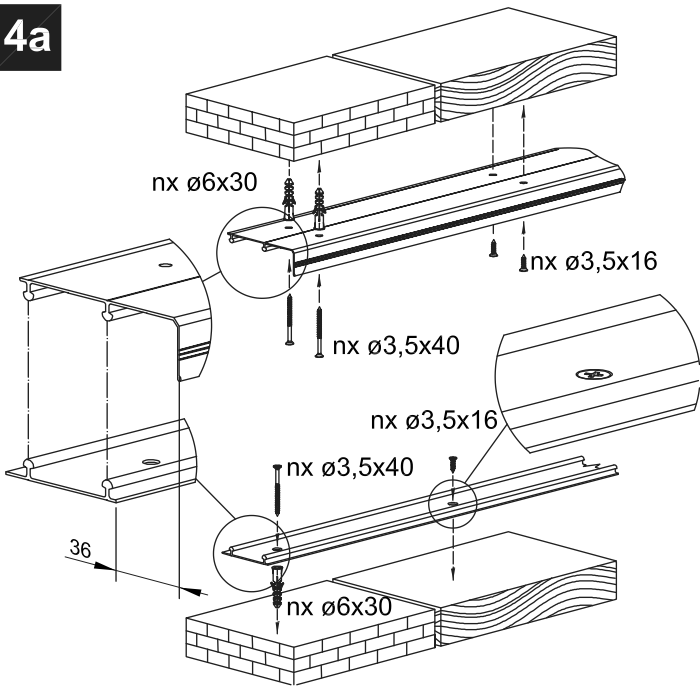


$$d = \frac{L_0 + (n-1) \cdot z}{n} \quad z=40$$

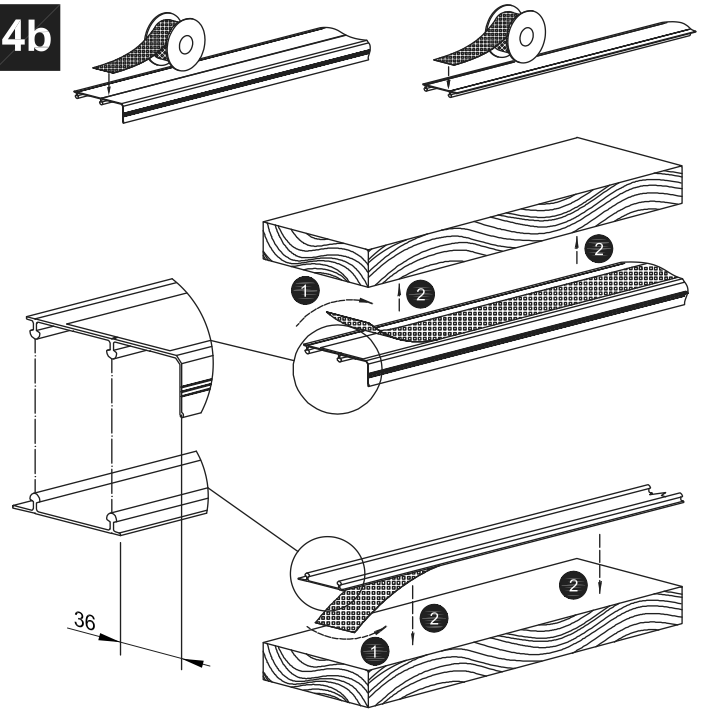


L <sub>0</sub>	1200	1500	1800	2000	2400	2700
n	3	3	4	4	4	5

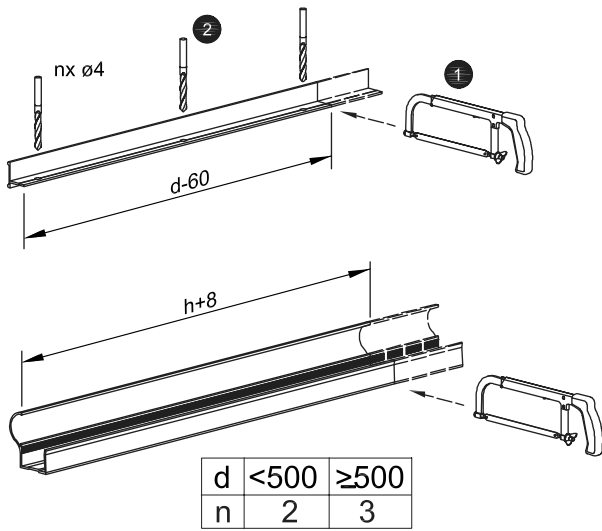
4a



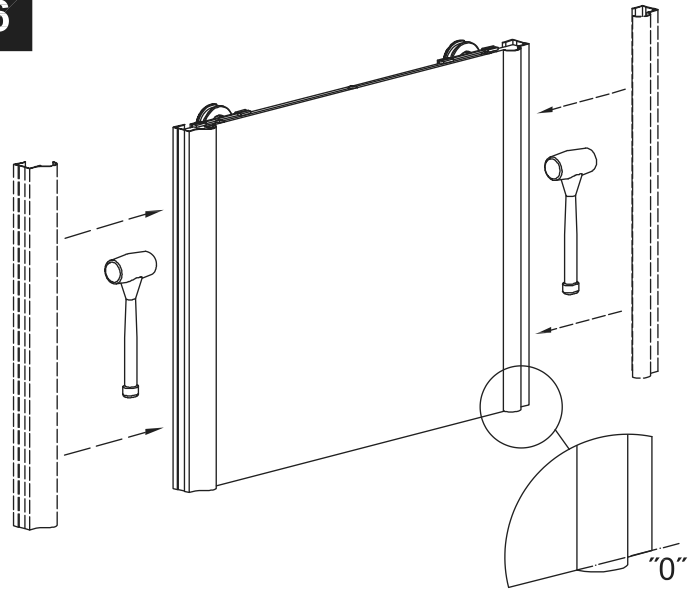
4b



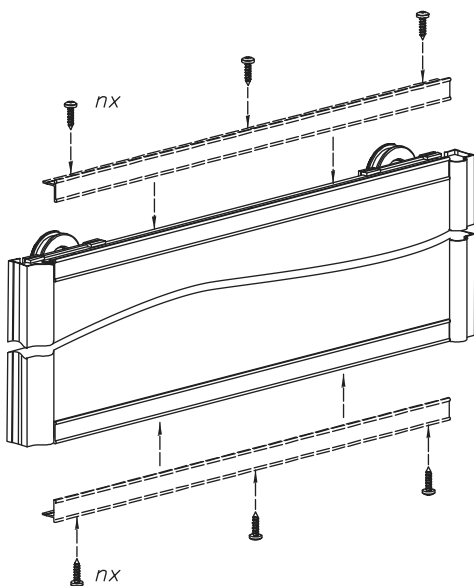
5



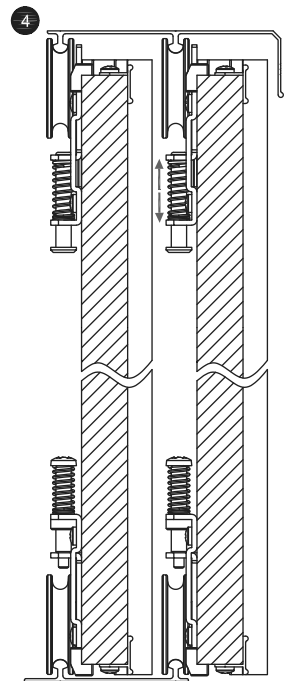
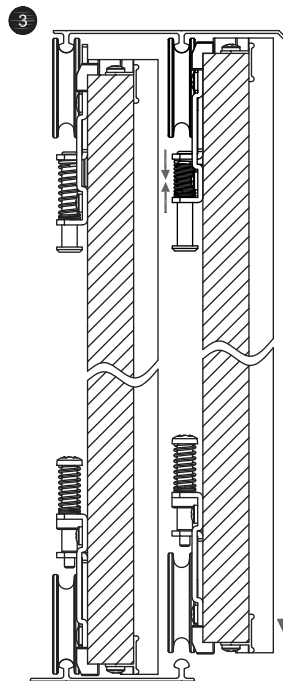
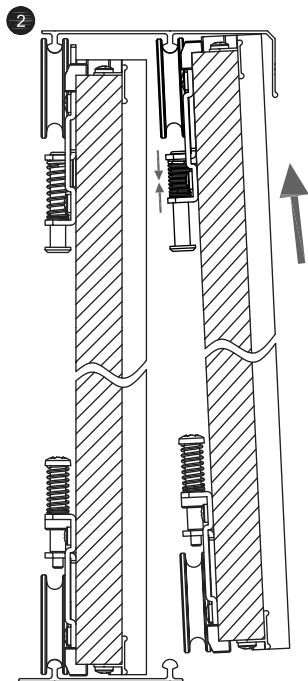
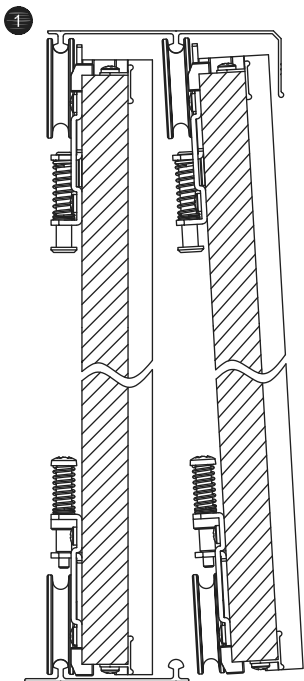
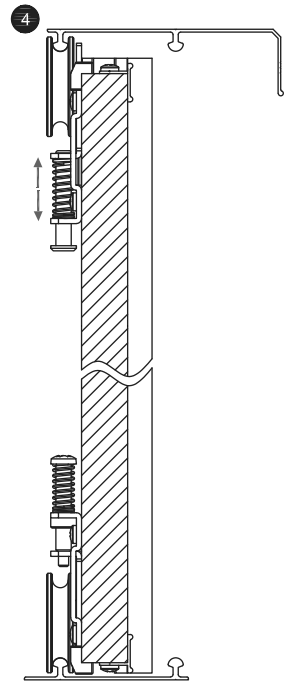
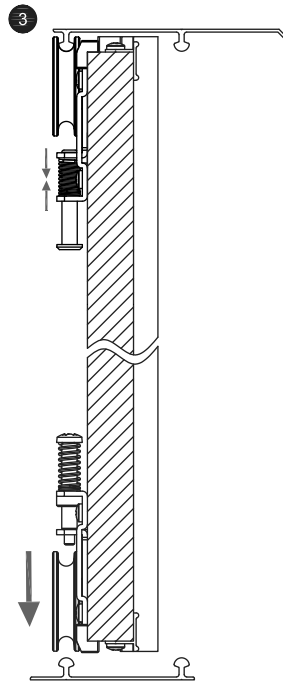
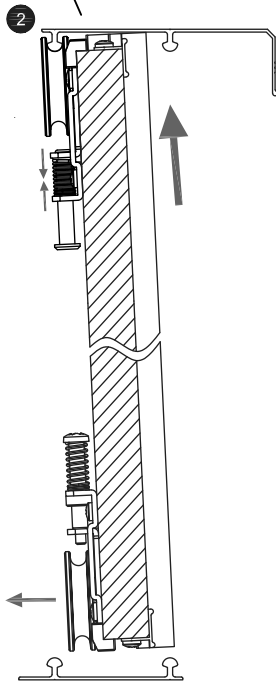
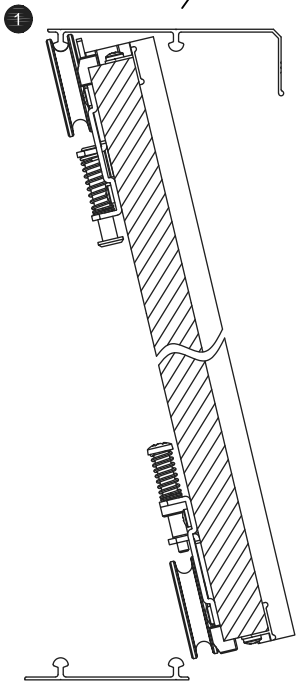
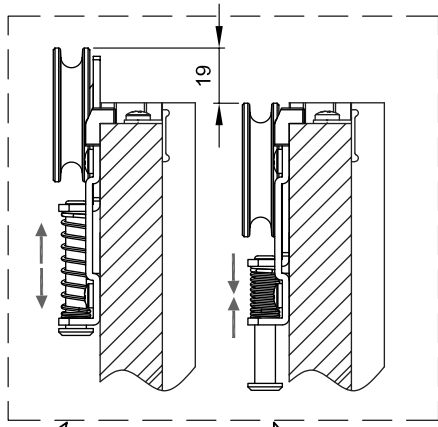
6



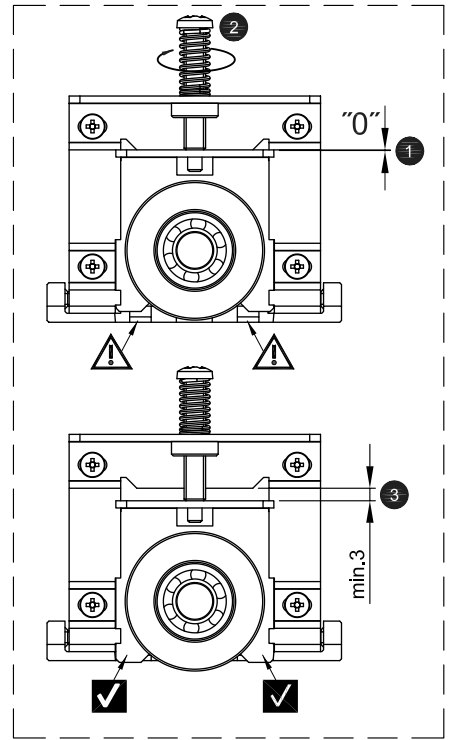
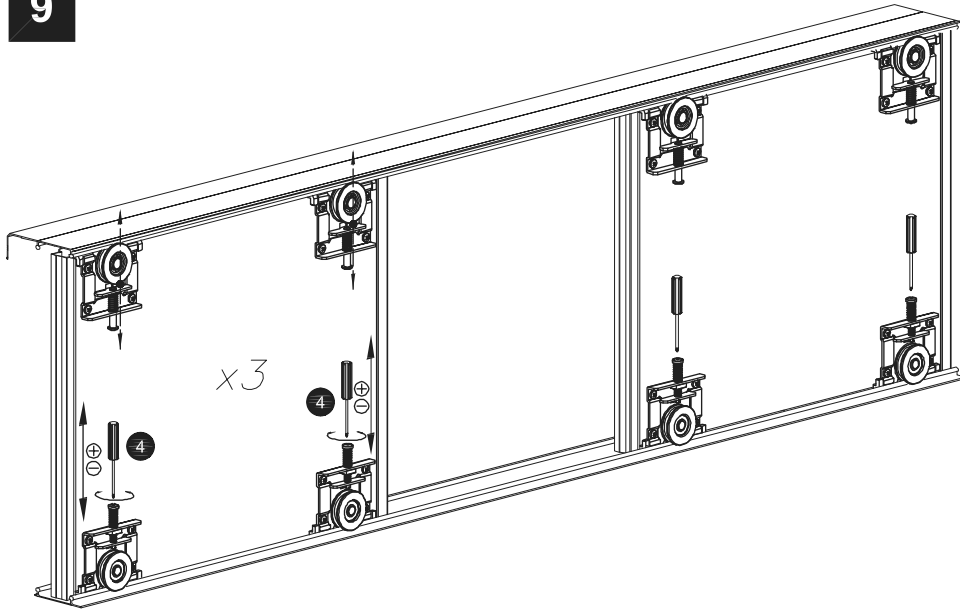
7



8



9



10

