



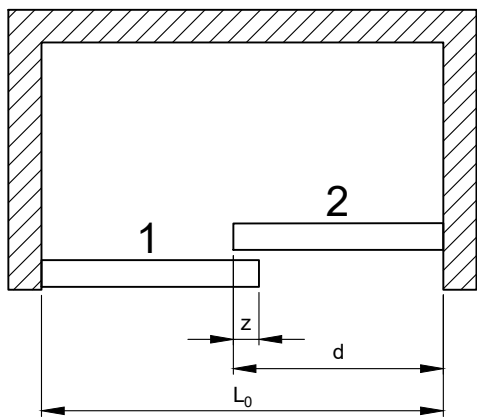
x2



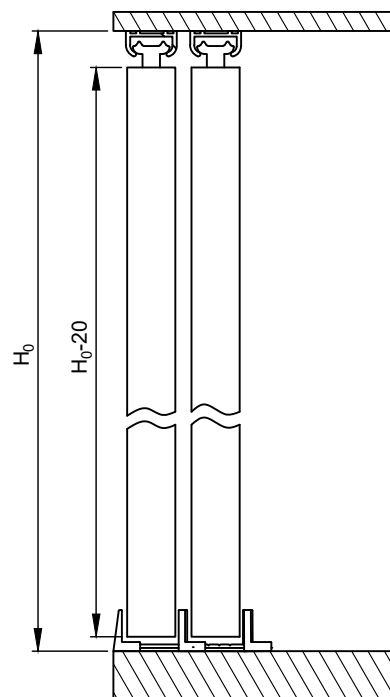
x1



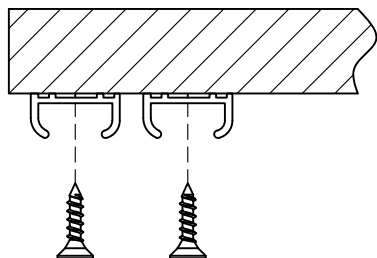
x1



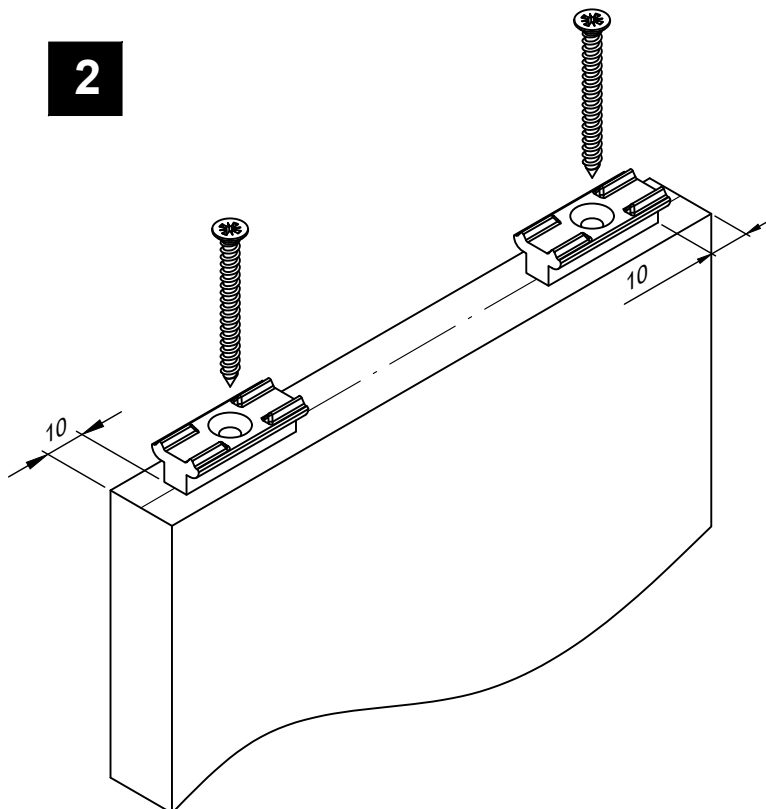
$$d = (L_0 + z) / 2 \quad z = 40$$



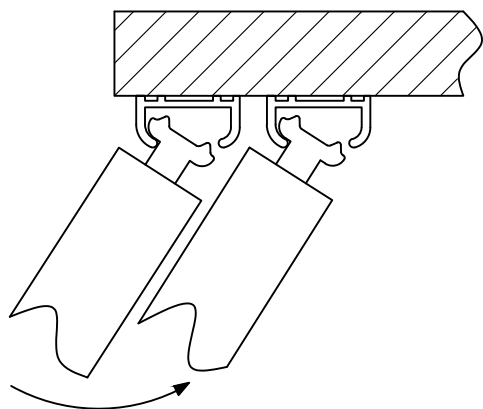
1

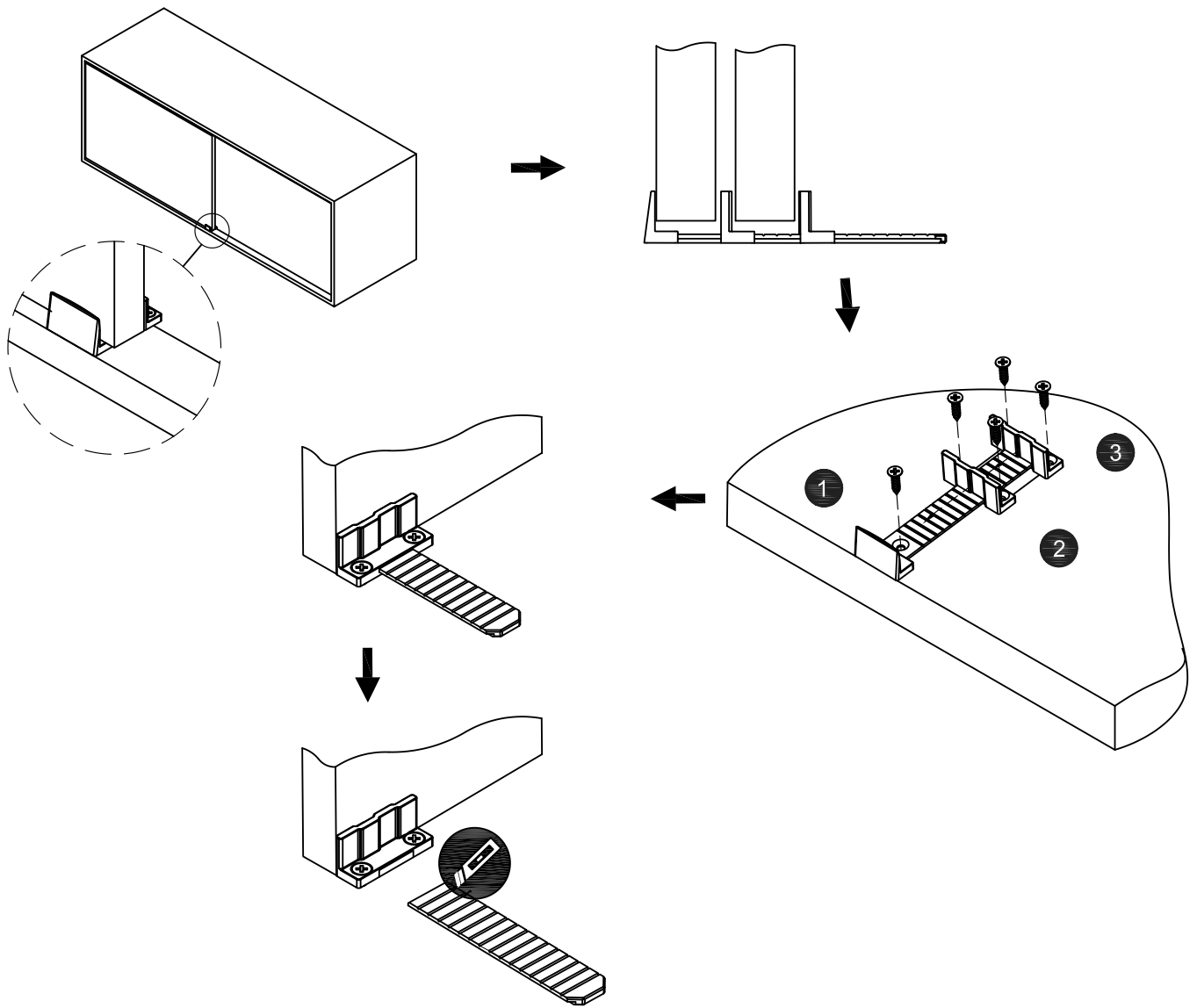


2



3



4**5**