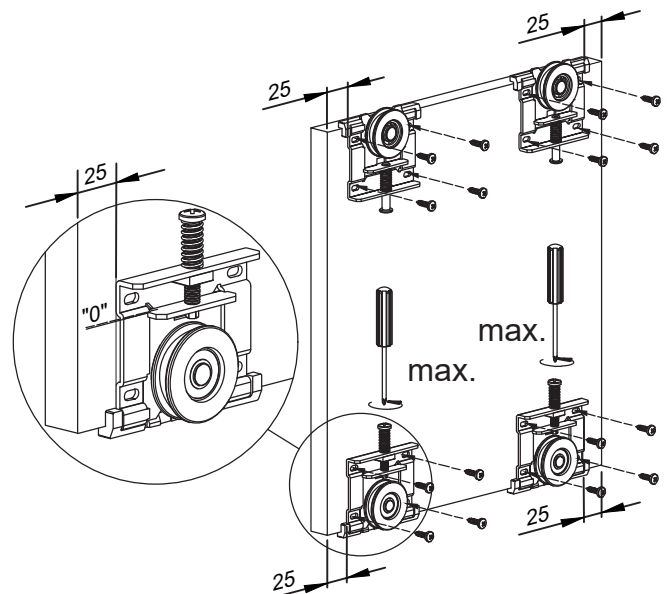
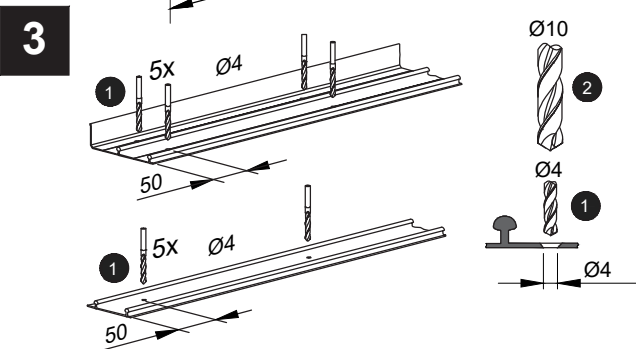
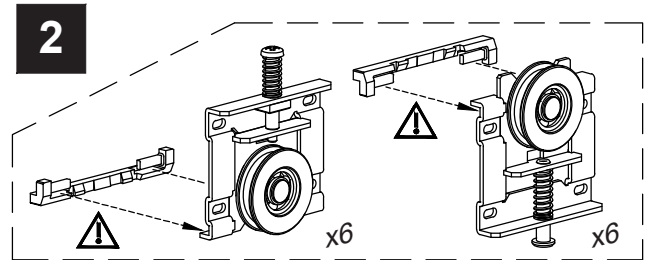
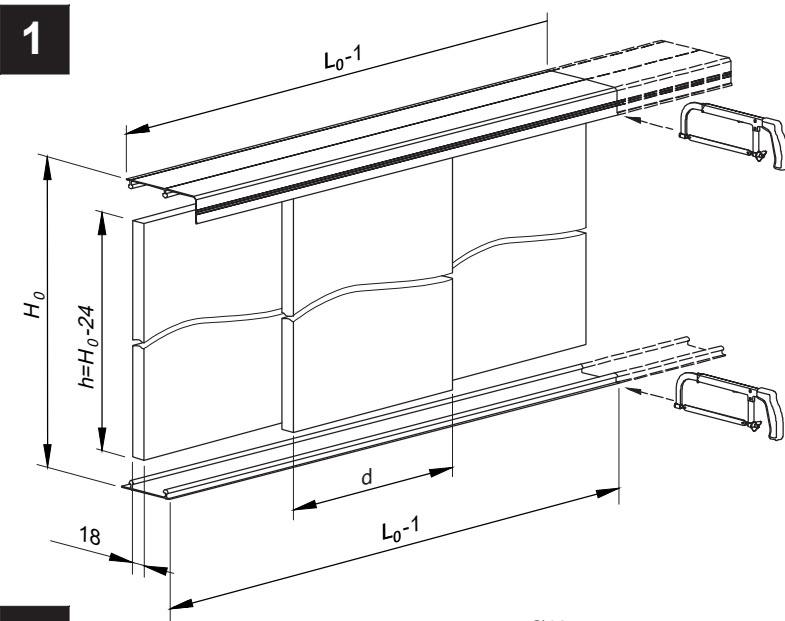
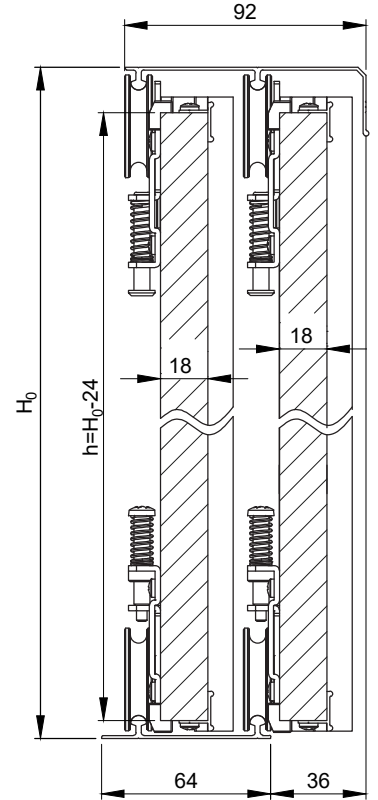
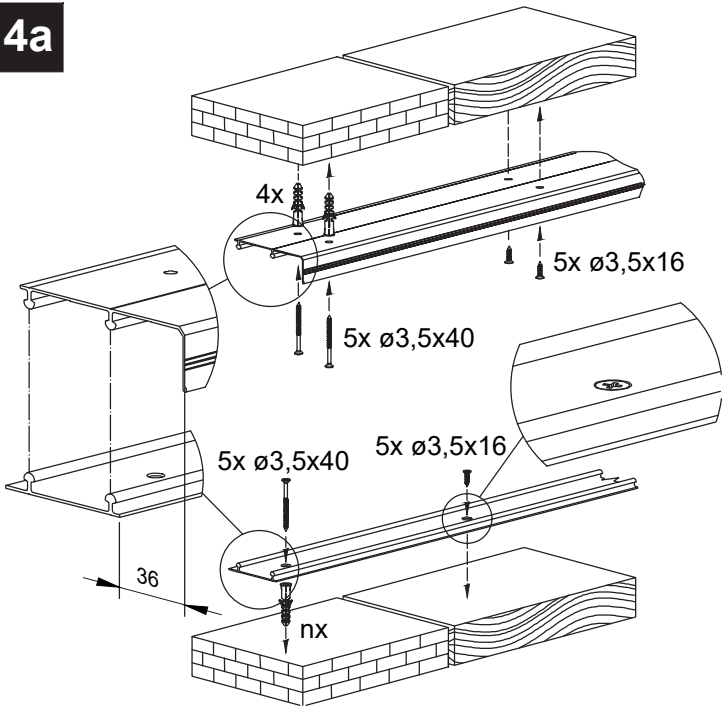


$$d = \frac{L_0 + (n-1) \cdot z}{n}$$

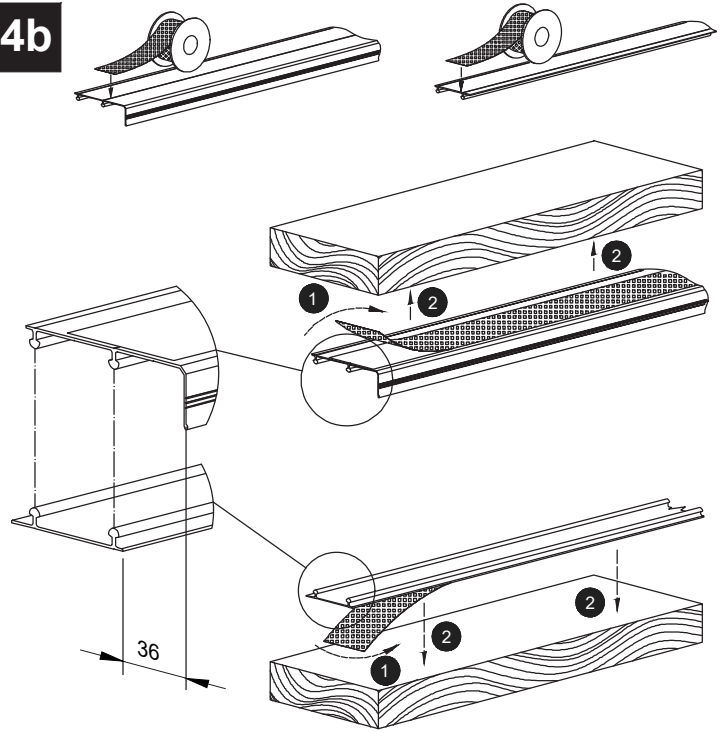
$$z = 40$$



4a

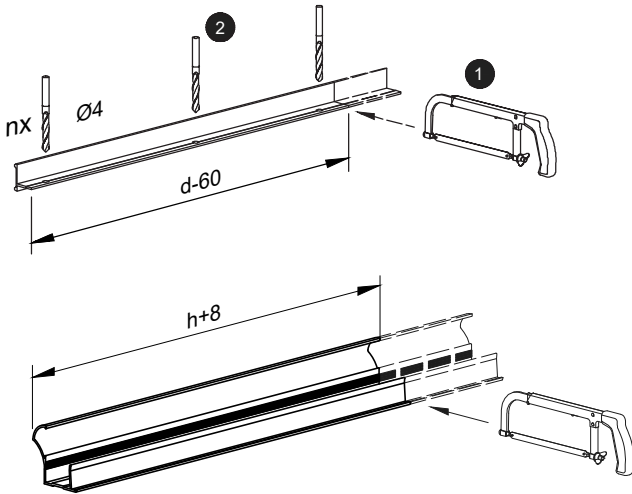


4b

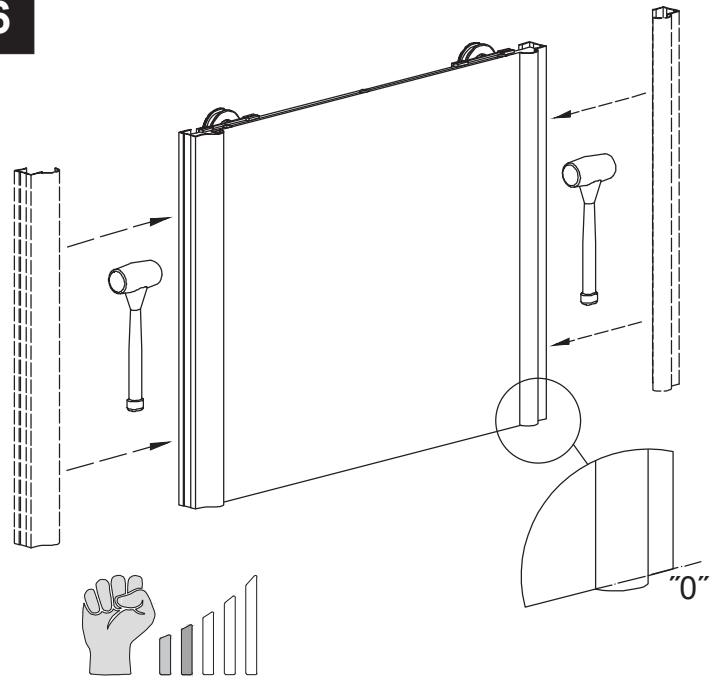


5

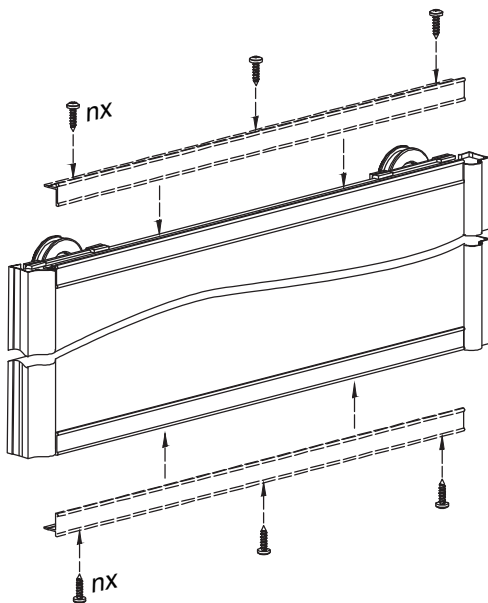
d [mm]	<500	≥500
n	2	3

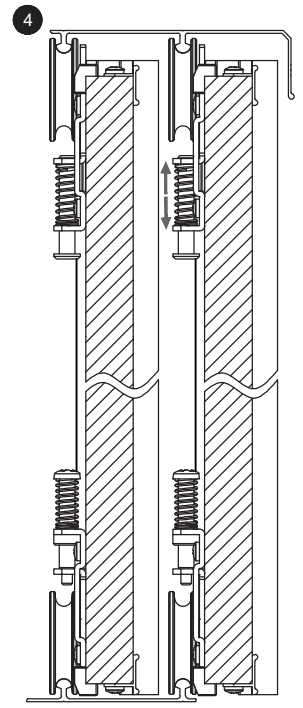
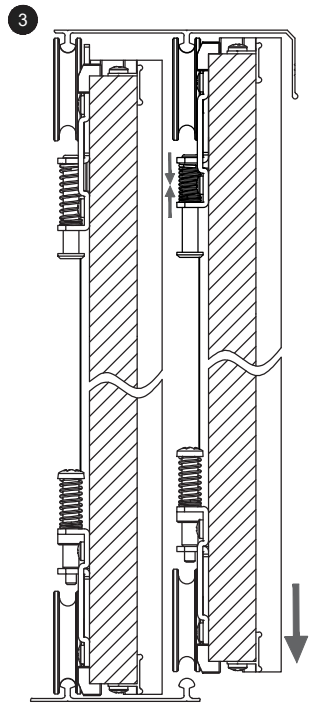
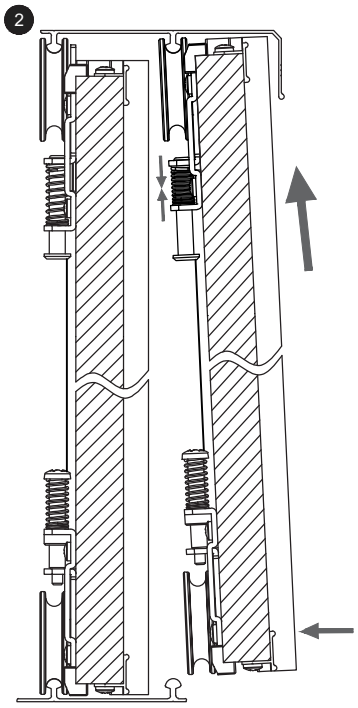
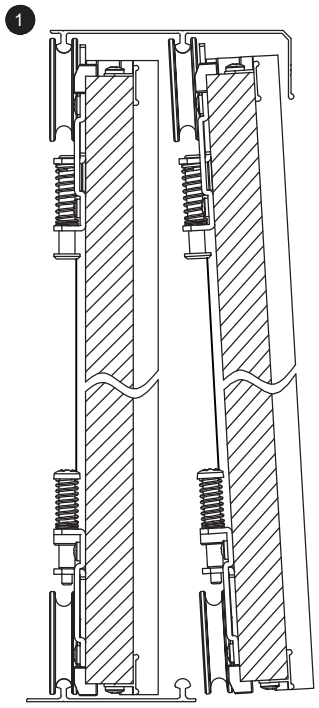
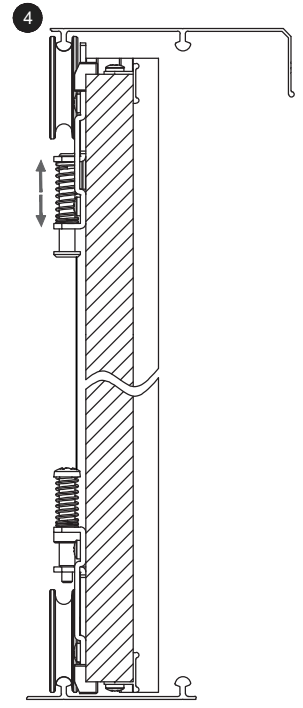
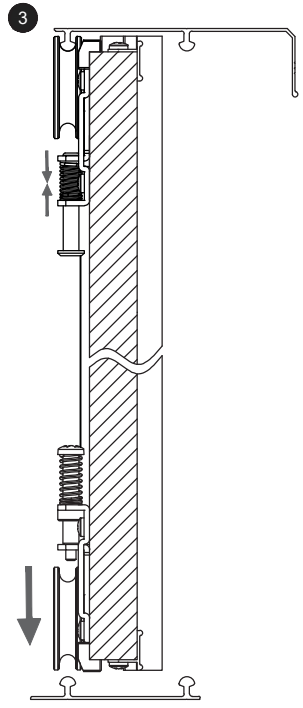
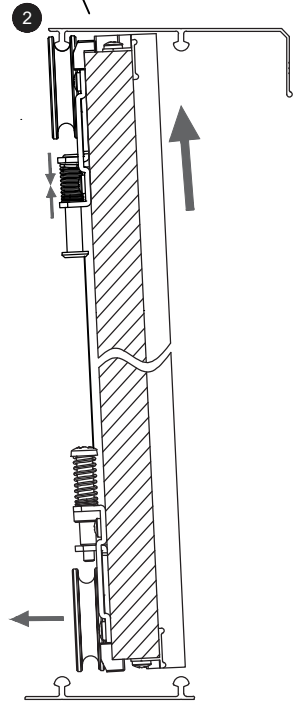
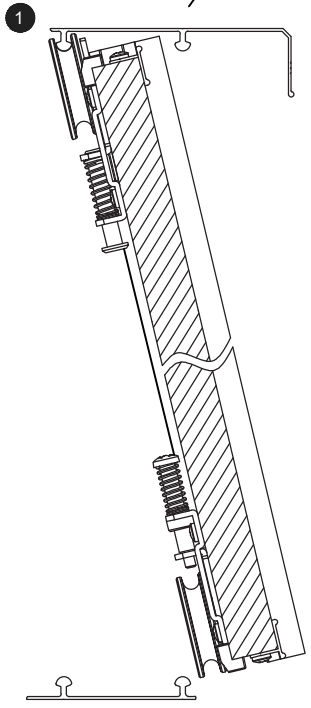
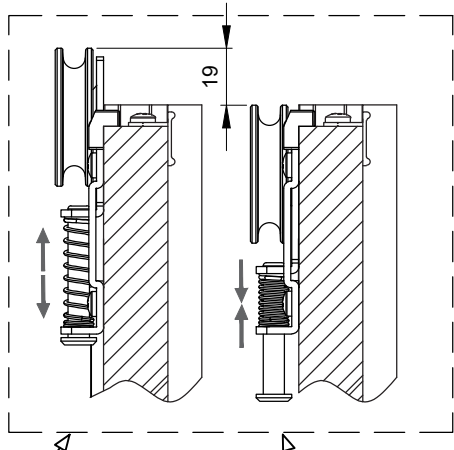


6

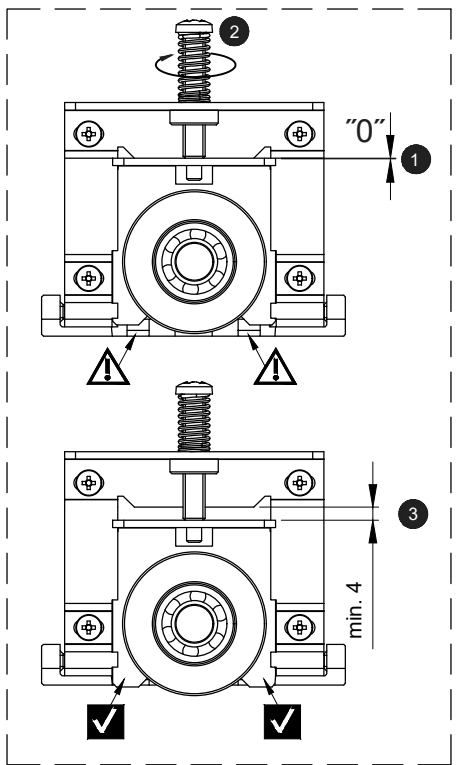
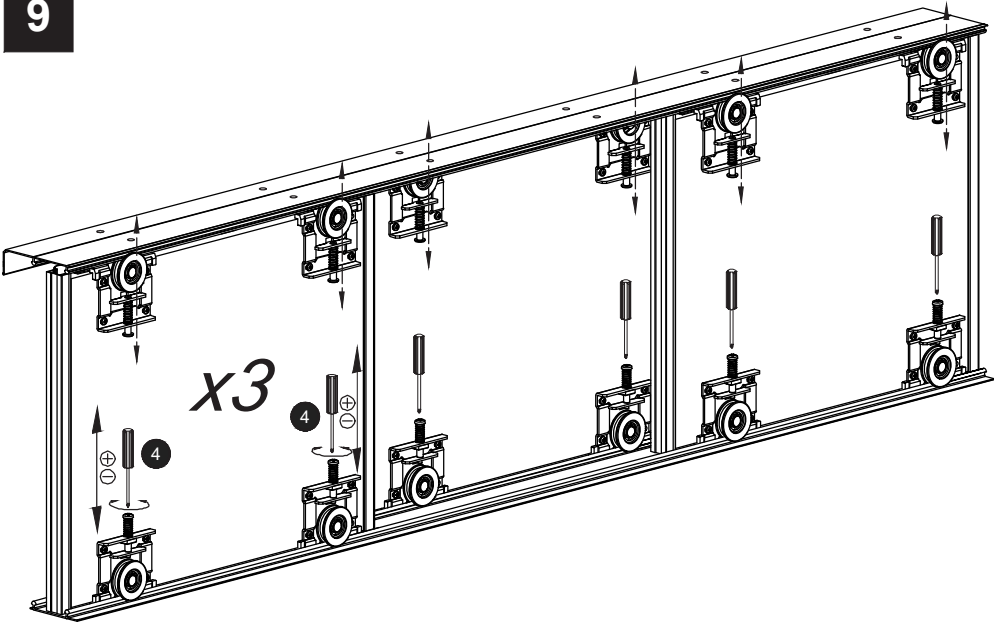


7

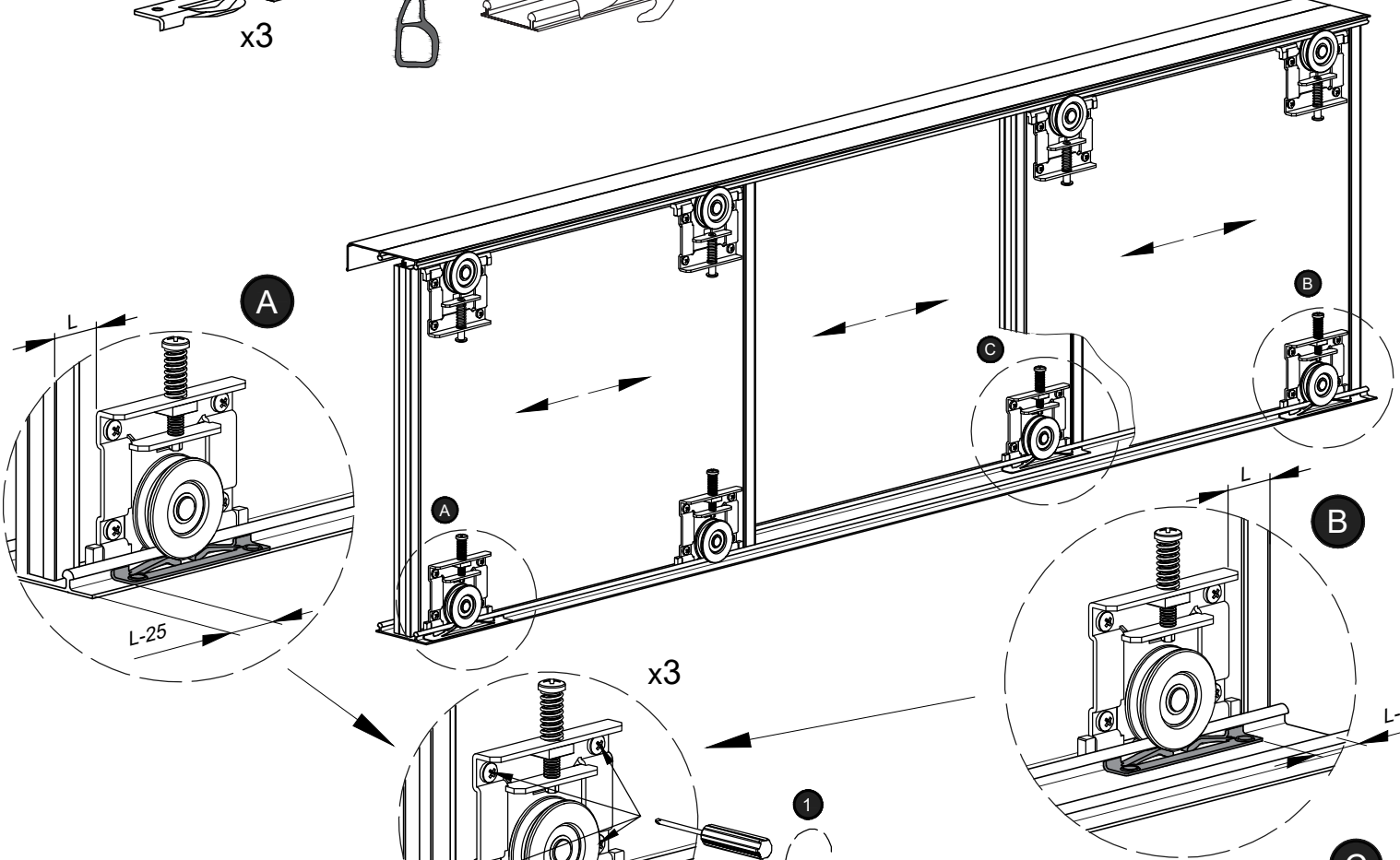
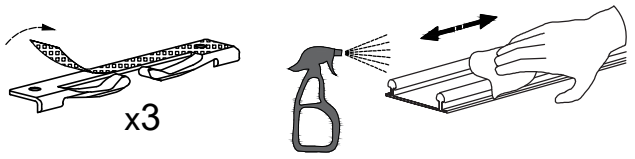




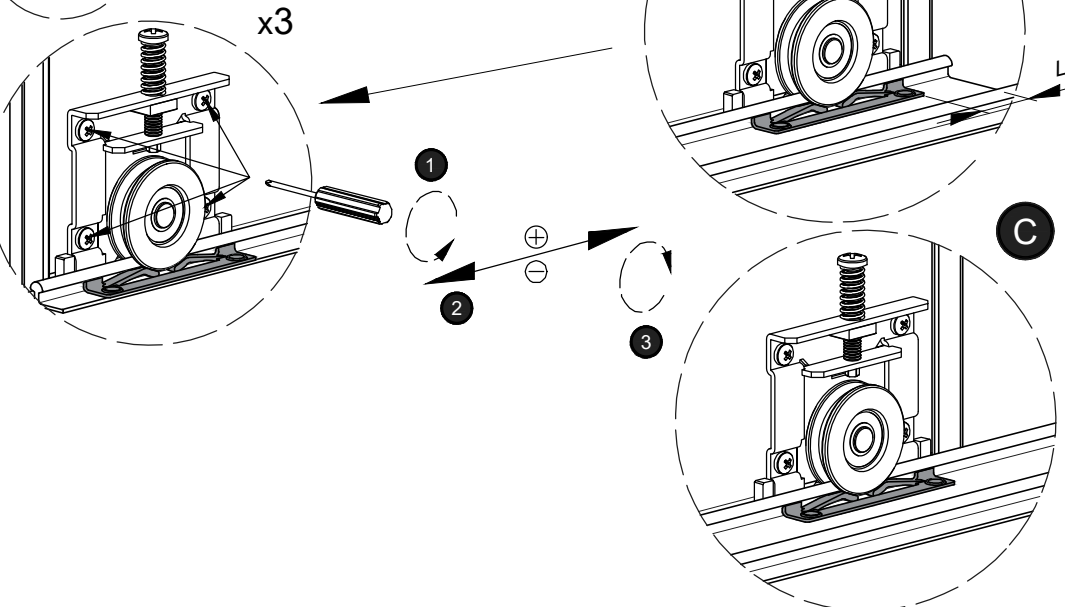
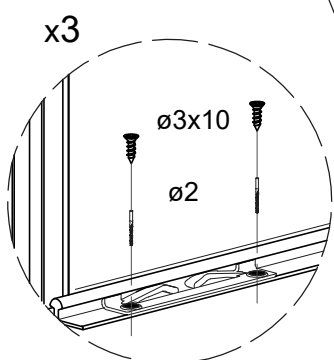
9



10



11



a	SU5260 SU5263 SU5314			
	SU5261 SU5264 SU5432			
	SU5262 SU5265 SU5484			

