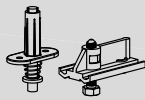
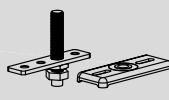


x1



x1



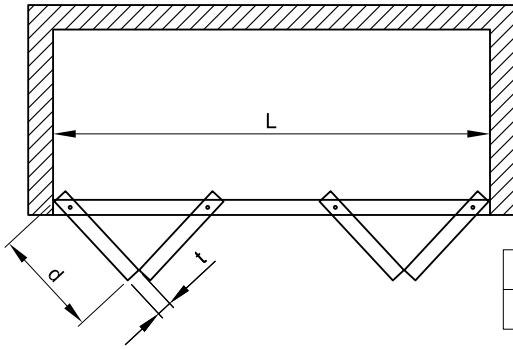
x1



x3

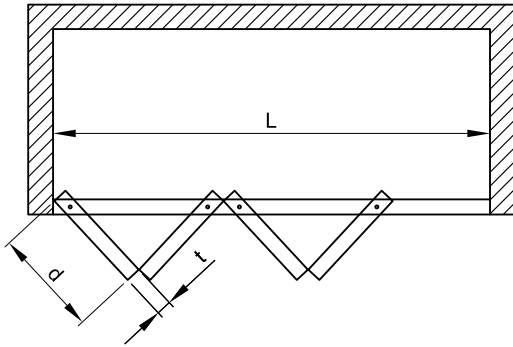


25
KG

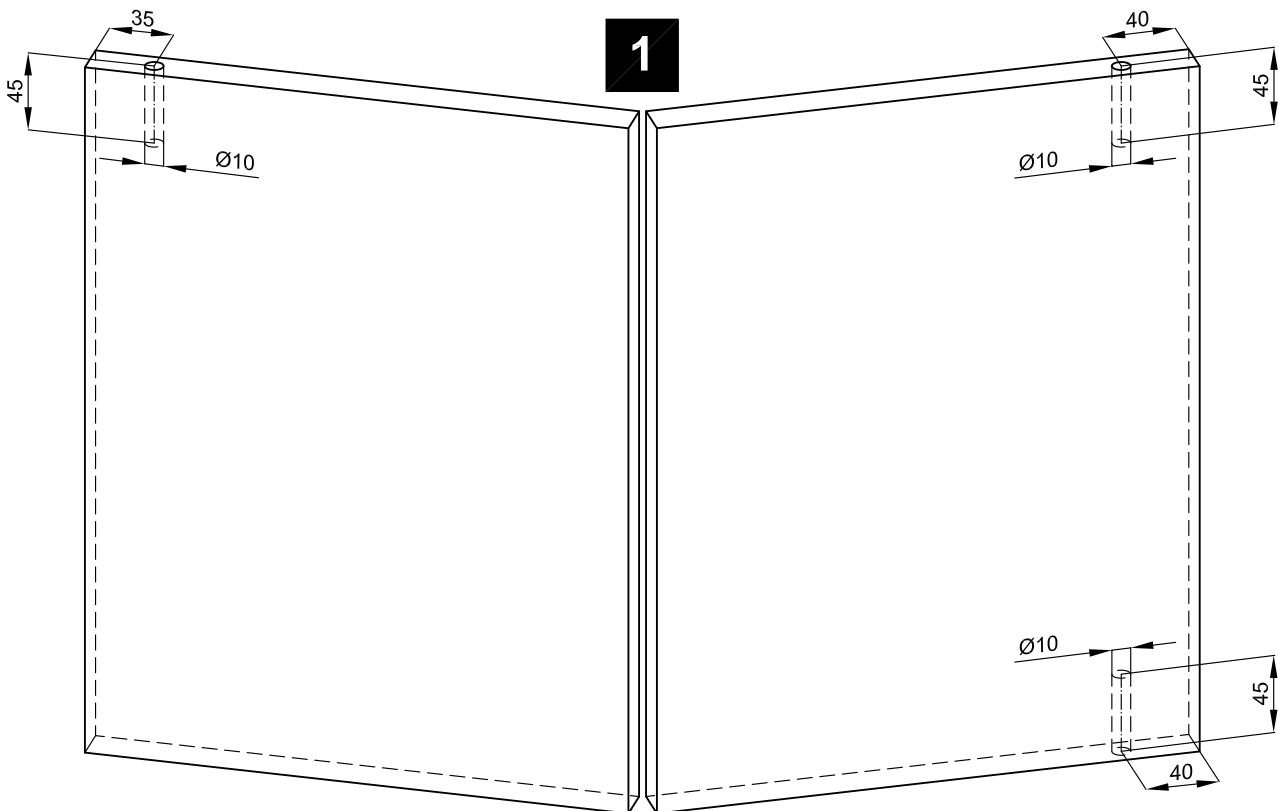
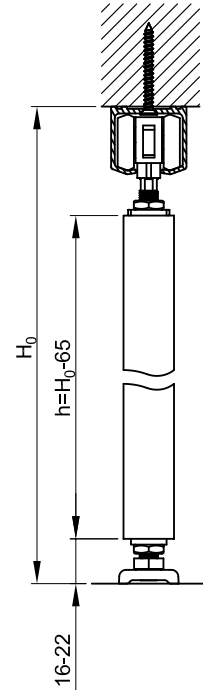


$$d = (L - 2x - 8) / 4$$

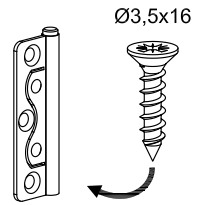
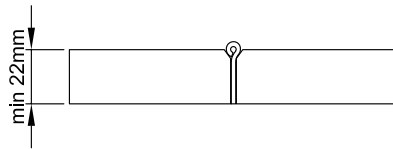
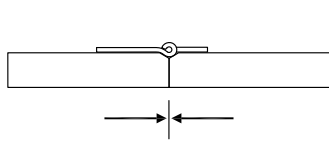
t [mm]	<22	22,25	28,32	40
x [mm]	0	3	4	6



$$d = (L - x - 8) / 4$$



2



3

