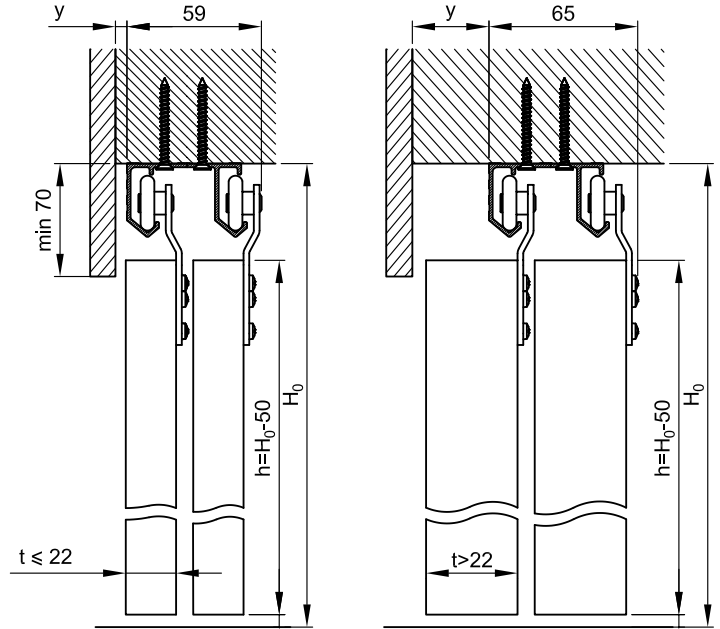


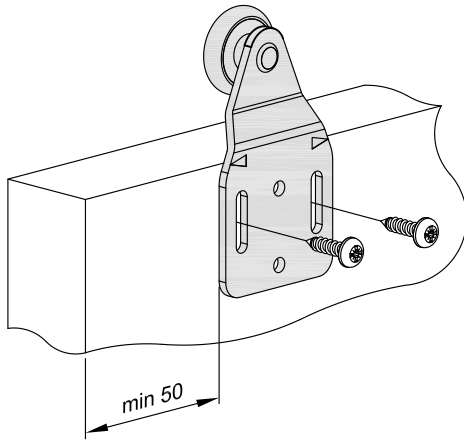
$$d = (L_0 + 2z) / 3$$



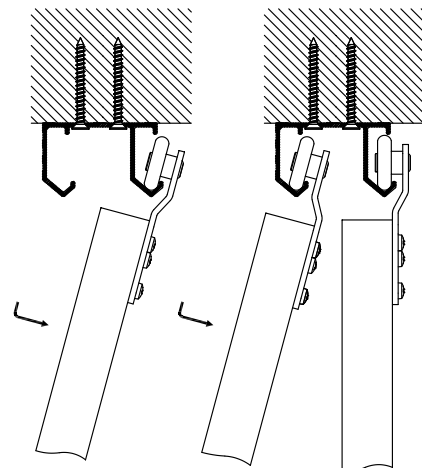
t [mm]	16;18	19	22	
y [mm]	0	1	4	4-11

t [mm]	>22	
y [mm]	t-9	4-11

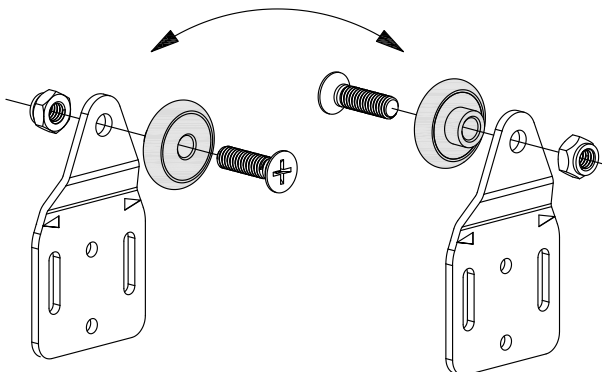
1



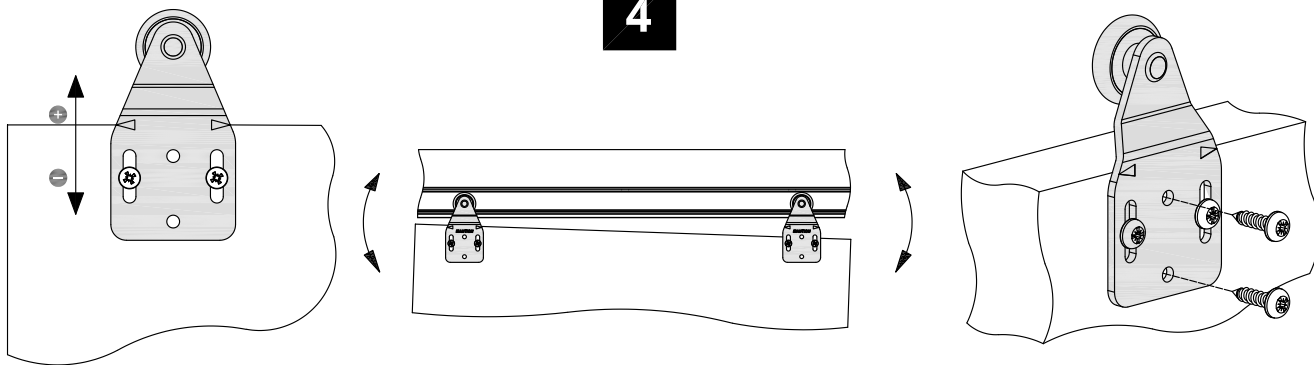
2



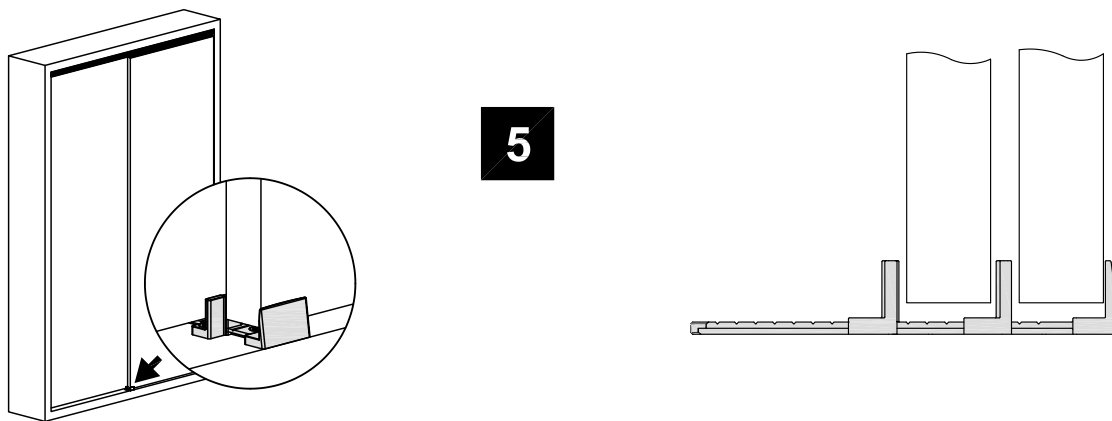
3



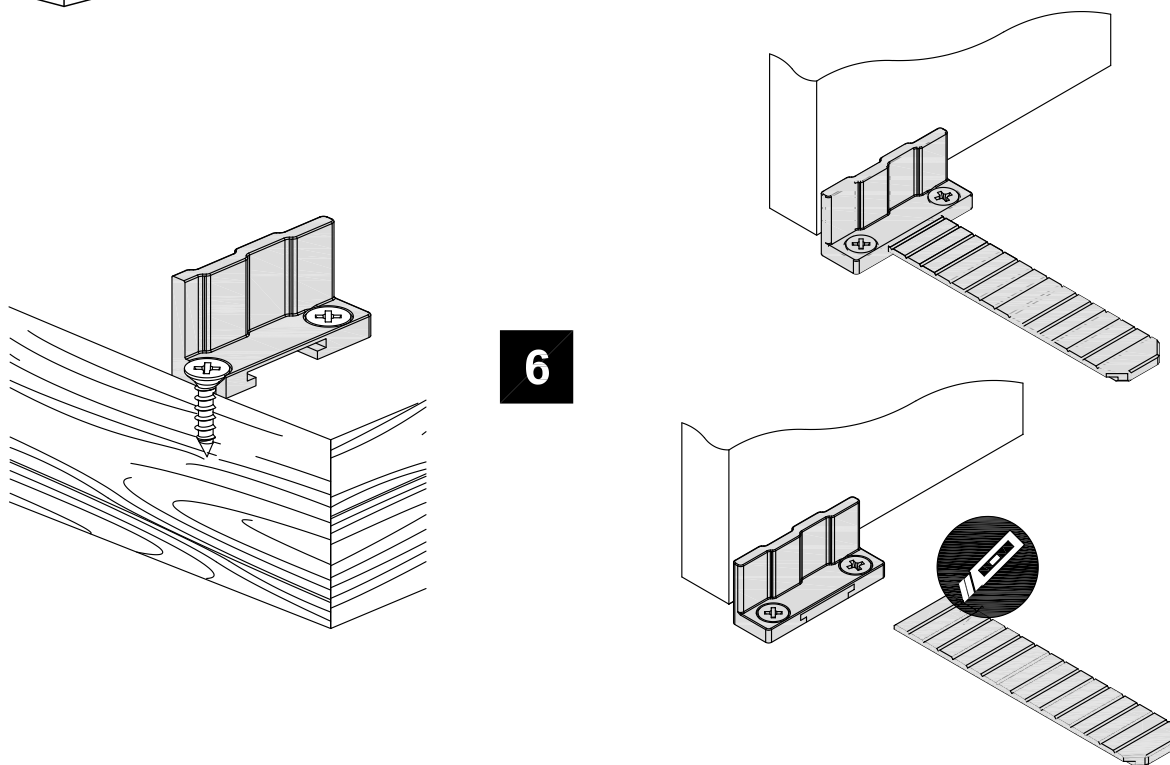
4



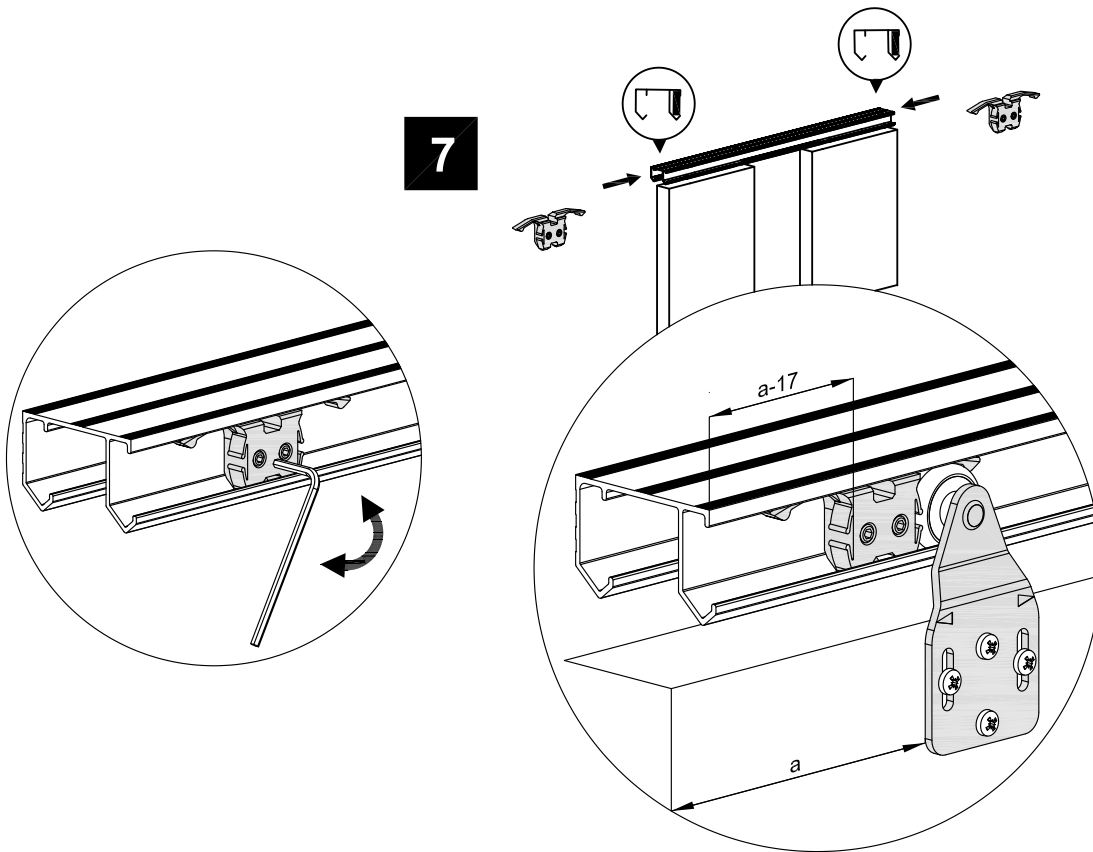
5



6



7



8

