



x2



x4



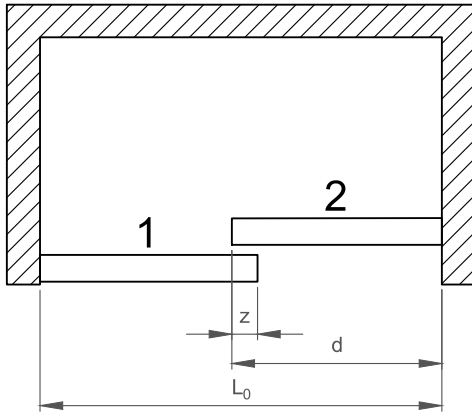
x1



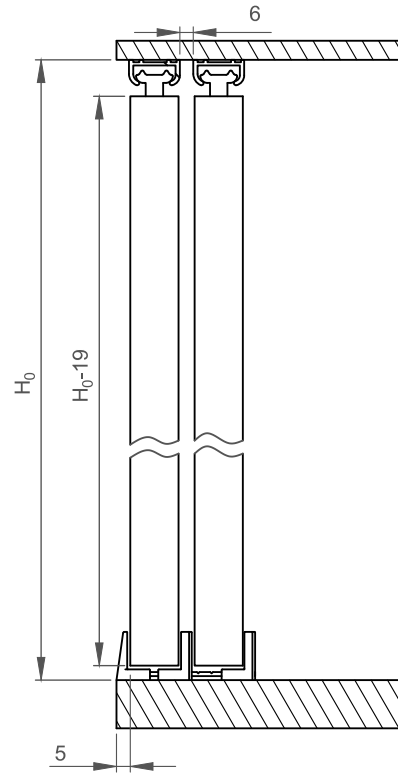
x1



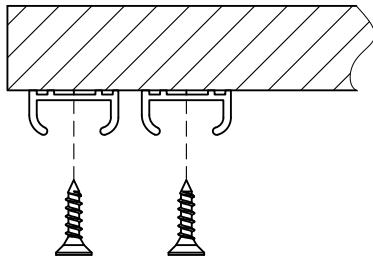
9  
kg



$$d = (L_0 + z) / 2 \quad z = 40$$

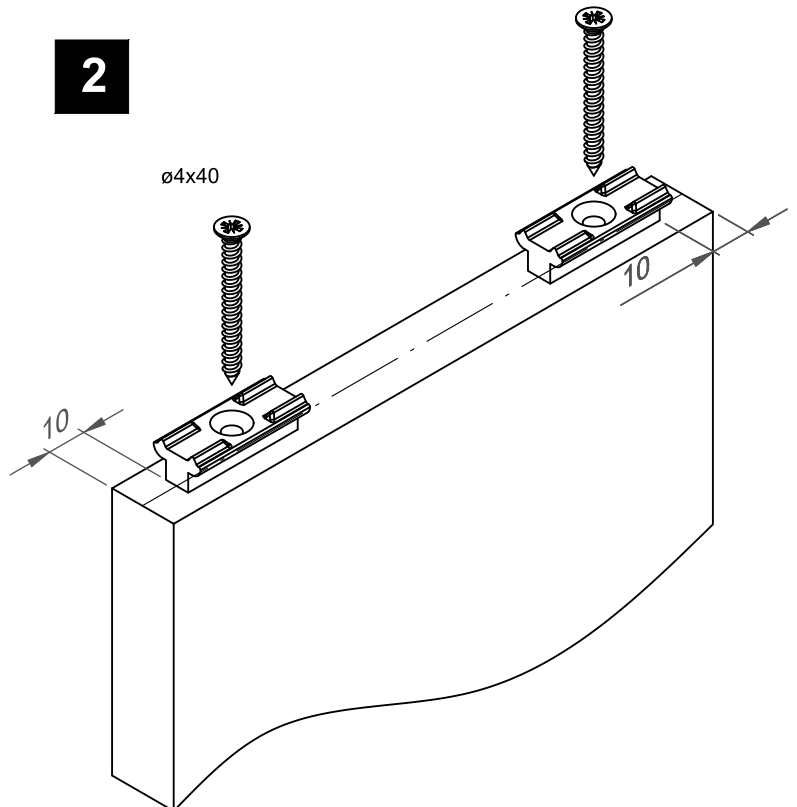


**1**



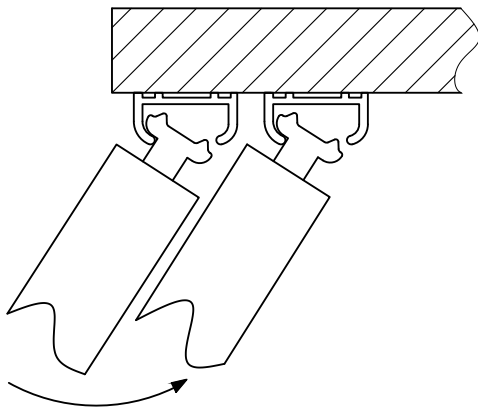
ø3,5x16

**2**

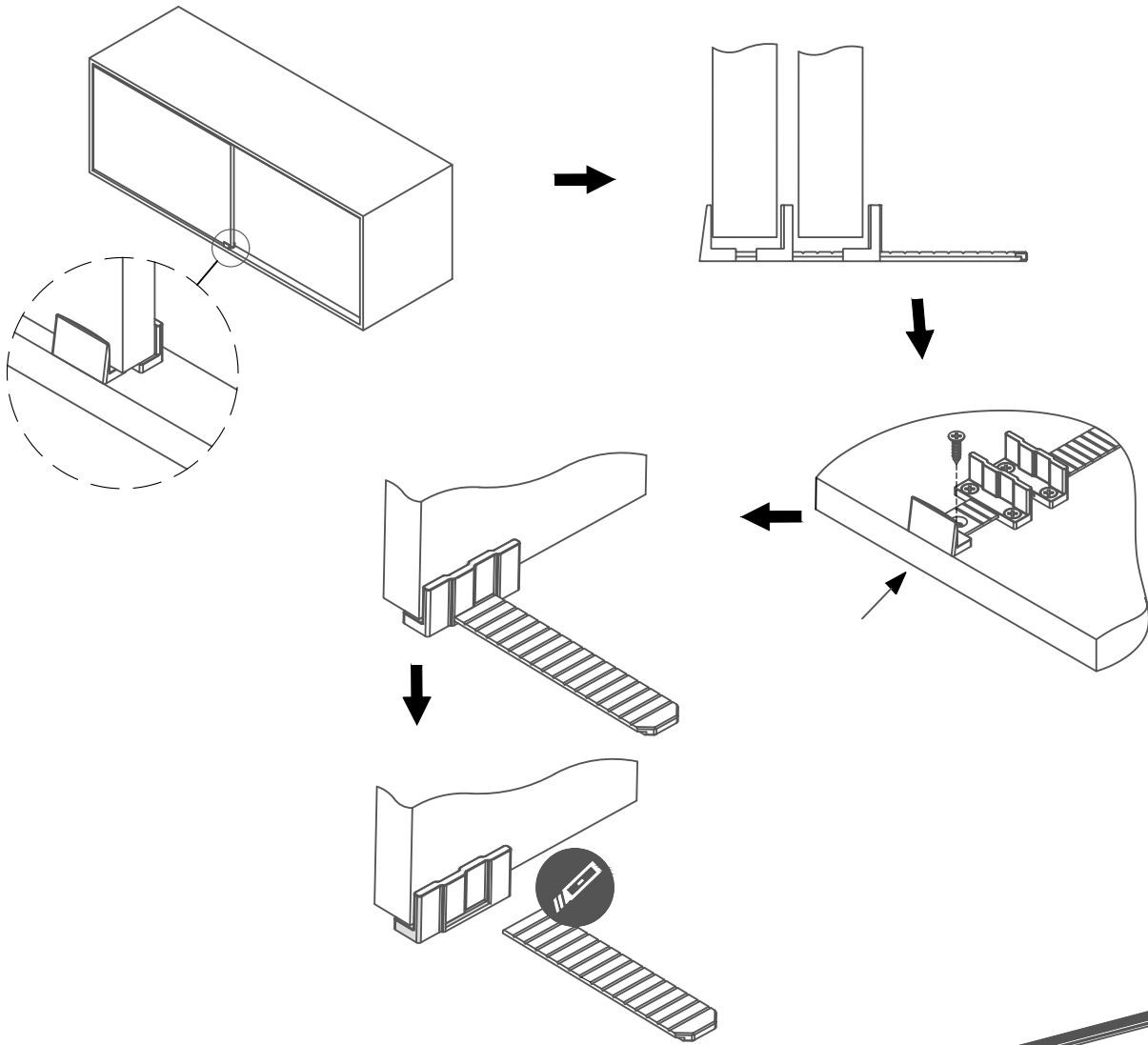


ø4x40

**3**



4



5

